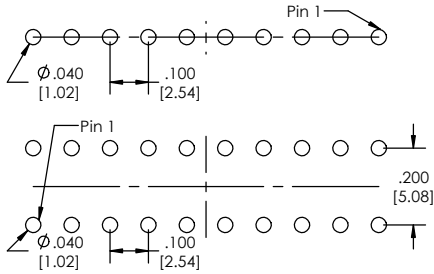
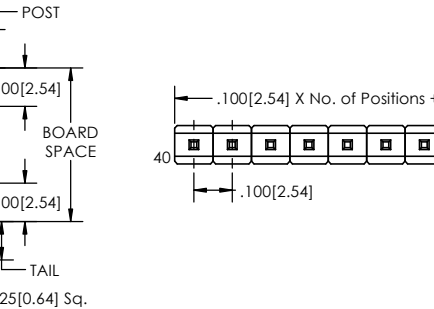


Recommended P.C. Board Layout
SCALE 4:1

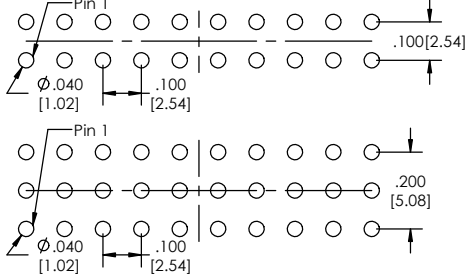
SINGLE ROW



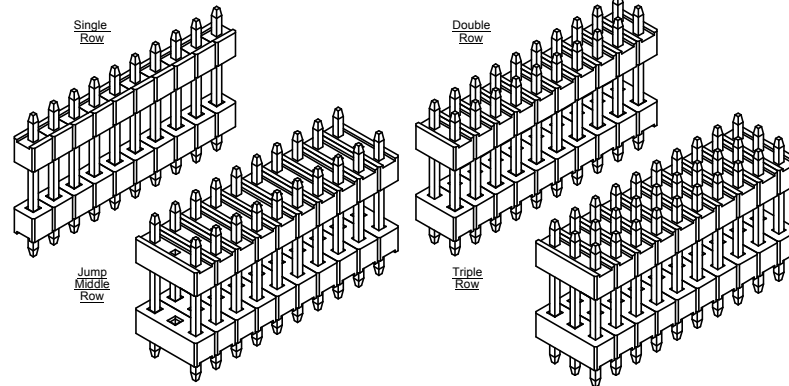
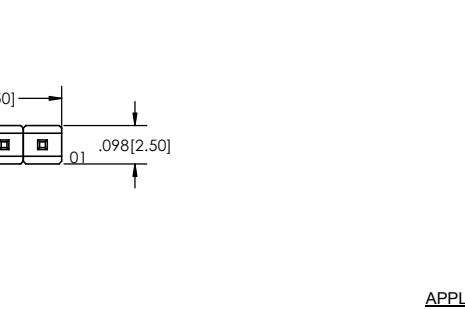
JUMP MIDDLE ROW



DOUBLE ROW



TRIPLE ROW

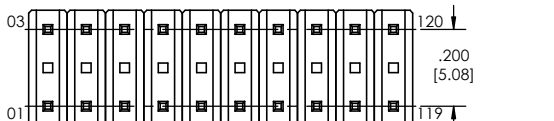
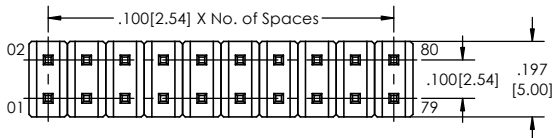
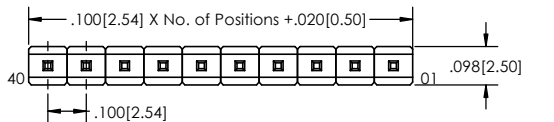
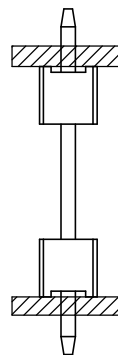


BSTC-1 **XX** - **X** - **XXX** - **XX** - **XXX** - **XX** - **XXX** - **XX** - **XXX** - **LF**
(A) (B) (C) (D) (E) (F) (G) (H) (I) (J)

- A. Pins Per Row
- 1 through 40
- B. Row Specification
- S= Single Row
- D= Double Row
- J= Jump Middle Row
- T= Triple Row
- C. Desired Tail Length
- Please specify tail length
- E.g. .137(3.50)=137
- D. Pin Options
- See Pin Options below
- E. Desired Post Height
- If left blank
- Post(P)= Length(L) - Board Space(B) - Tail Length(T)
- F. Plating Options
- See Plating Options below
- G. Desired Board Space
- Please Specify required space
- E.g. .200(5.08)=200
- .200(5.08) min.
- H. Lock Tight "LT" (Optional)
- Leave blank if not needed
- LT= With
- I. Polarized Position
- Leave blank if not needed
- If required, specify empty pin position, e.g. 012 for Pin 12
- J. Lead Free

Mates with:
BCSS.
BSSH.
BSSH.C.
BSSQ.
BSSQ.C.
BSSQ.M.
LBCSS.
LSMBC.
LSWSS.
SMBC.
SSHQ.
SSHQ.R.
SSHR.
SSHS.
SSHS.M.

APPLICATION



Plating options	
G	-10µ Gold on Contact Area/ Flash on Tail
T	-Matte Tin all Over
GT	-10µ Gold on Contact Area/ Matte Tin on Tail
H	-30µ Gold on Contact Area/ Matte Tin on Tail
F	-Gold Flash over Entire Pin
FT	- Gold Flash on Contact Area/ Matte Tin on Tail

Pin Options		
Length		
.430	10.92mm	06
.445	11.30mm	08
.456	11.58mm	10
.480	12.19mm	11
.530	13.46mm	14
.630	16.00mm	16
.730	18.54mm	20
.830	21.08mm	22
.930	23.62mm	24
1.030	26.16mm	26
1.130	28.70mm	28
1.230	31.24mm	30
1.330	33.78mm	32
1.430	36.32mm	34
1.530	38.86mm	36

Specifications:
Current Rating: 3.0 Ampere
Insulation Resistance: 1000M Ohms Min.
Dielectric Withstanding: 600V AC
Contact Resistance: 20M Ohms Max.
Operation Temperature: -40°C to +105°C
Max. Process Temperature
Peak: 260°C up to 20 secs.
Process: 230°C up to 60 secs.
Wave: 260°C up to 6 secs.
Manual Solder: 350°C up to 5 secs.

Materials:
Contact Material: Phosphor Bronze
Insulator Material: Nylon 6T
Plating: Au or Sn over 50µ" (1.27) Ni

Tails may be clipped to achieve specific dimensions.

Products cut to specific sizes are uncancelable/ nonreturnable.
Parts are subject to change without notice.

PROPRIETARY AND CONFIDENTIAL
THE INFORMATION CONTAINED IN THIS DRAWING IS THE SOLE PROPERTY OF Major League Electronics. ANY REPRODUCTION IN PART OR AS A WHOLE WITHOUT THE WRITTEN PERMISSION OF Major League Electronics IS PROHIBITED.

UNLESS OTHERWISE SPECIFIED:		DRAWN		NAME		DATE	
DIMENSIONS ARE IN INCHES		EOW		01/07/14			
TOLERANCES:		CHECKED		GWE		01/07/14	
ONE DECIMALS ±.100		ENG APPR.					
TWO DECIMAL ±.100		MFG APPR.					
THREE DECIMAL ±.005							
FOUR DECIMAL ±.002							
NEXT ASSY		USED ON		FINISH		ADDRESS:	
APPLICATION		DO NOT SCALE DRAWING				2533 Centennial Blvd. Jeffersonville, IN 47130 Phone: 812-670-4174 Fax: 812-670-4175 E-Mail: mle@mlelectronics.com	

MAJOR LEAGUE Electronics

TITLE: BSTC-1 SERIES
SIZE DWG. NO. **C** REV **B**
SCALE: 4:1 SHEET 1 OF 1