

MODEL: CPT-2521C-500 | **DESCRIPTION:** PIEZO BUZZER TRANSDUCER**FEATURES**

- externally driven
- wire leads
- IP68 rated

**SPECIFICATIONS**

parameter	conditions/description	min	typ	max	units
operating voltage				50	Vp-p
current consumption	at 20 Vp-p, 3,700 Hz square wave			40	mA
rated frequency			3,700		Hz
sound pressure level	at 30 cm, 20 Vp-p, 3,700 Hz square wave	95			dB
electrostatic capacity	at 120 Hz/1 V	17,500	25,000	32,500	pF
dimensions	Ø25.6 x 21.6				mm
weight				15.0	g
material	PBT+15% GF				
terminal	wire type				
operating temperature		-30		85	°C
storage temperature		-40		95	°C
RoHS	yes				
IP level	IP68 (IEC standard 529 edition 2.0 (1989))				

Notes: 1. All specifications measured at 5~35°C, humidity at 45~85%, under 86~106 kPa pressure, unless otherwise noted.

SOLDERABILITY

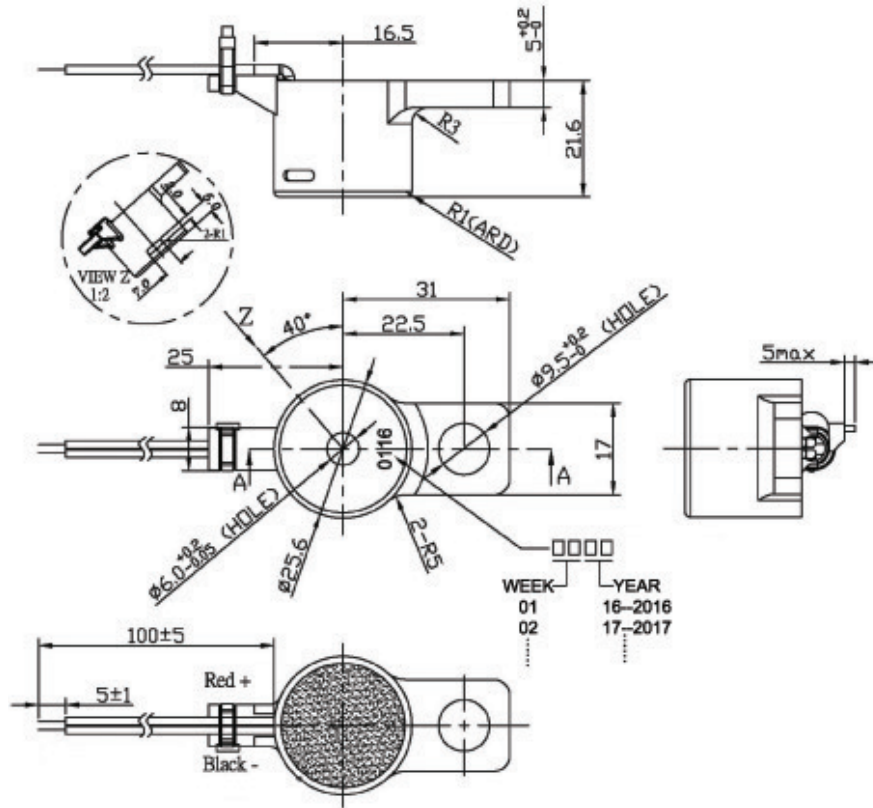
parameter	conditions/description	min	typ	max	units
hand soldering	for maximum 5 seconds	330		380	°C

MECHANICAL DRAWING

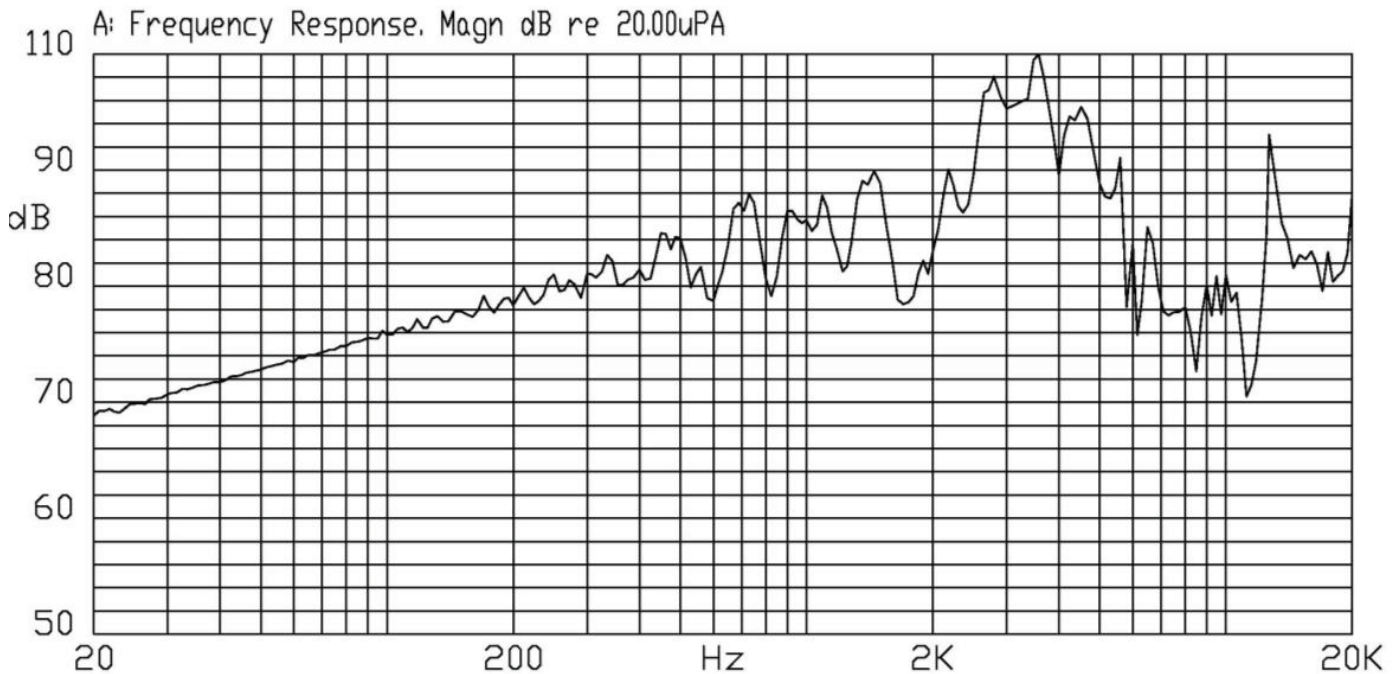
units: mm

tolerance: ± 0.5 mm

wire: UL1007 LF 22 AWG



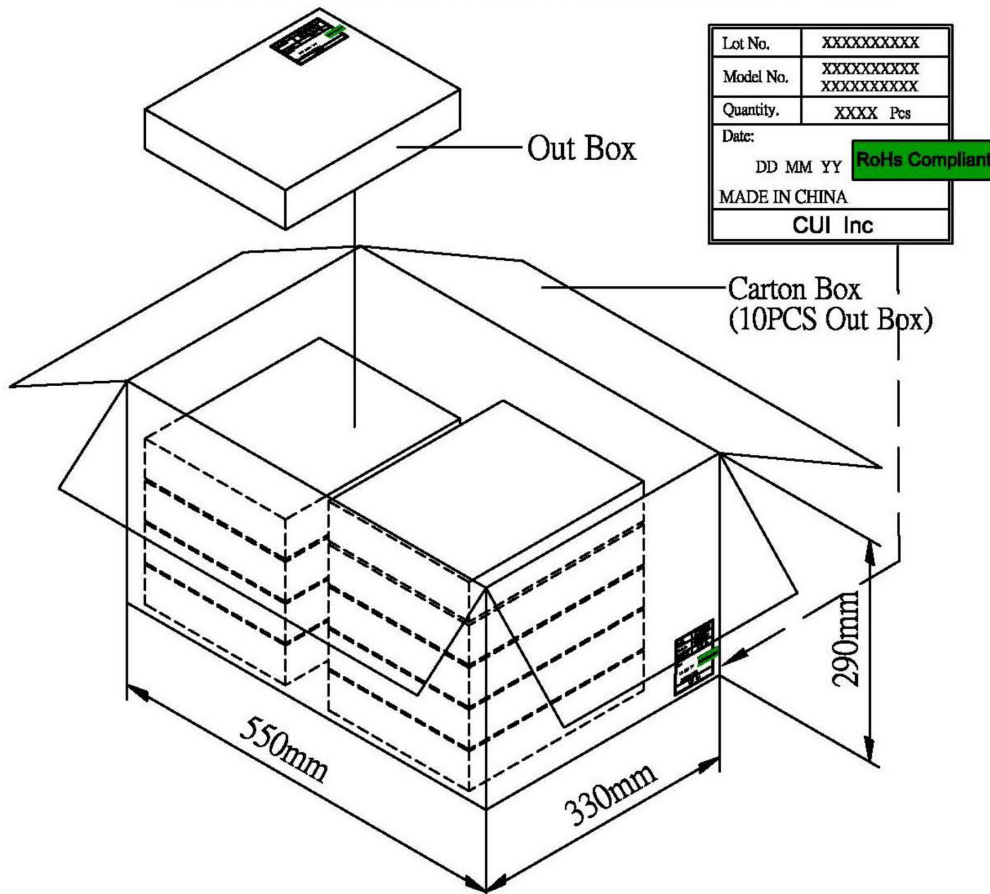
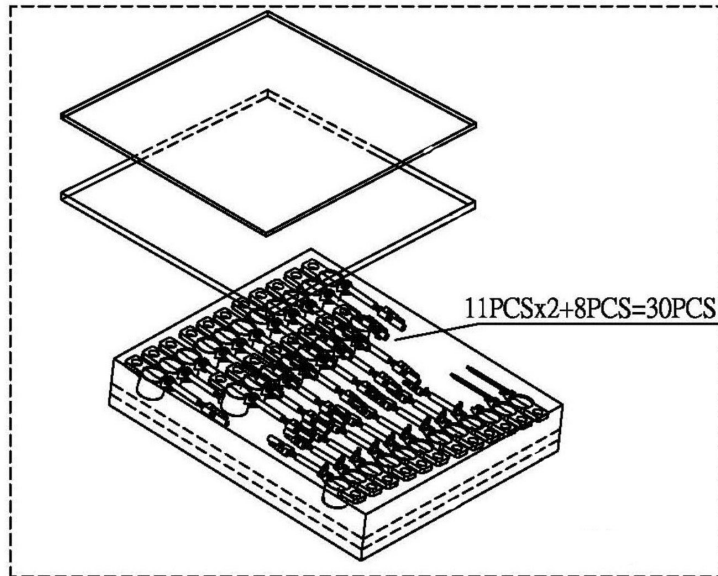
FREQUENCY RESPONSE CURVE



PACKAGING

units: mm

Outer Box Size: 310 x 248 x 49 mm
 Carton Size: 550 x 330 x 290 mm
 Outer Box QTY: 30 pcs per outer box
 Carton QTY: 300 pcs per carton



REVISION HISTORY

rev.	description	date
1.0	initial release	03/31/2016
1.01	brand update	12/05/2019

The revision history provided is for informational purposes only and is believed to be accurate.

CUI DEVICES

CUI Devices offers a one (1) year limited warranty. Complete warranty information is listed on our website.

CUI Devices reserves the right to make changes to the product at any time without notice. Information provided by CUI Devices is believed to be accurate and reliable. However, no responsibility is assumed by CUI Devices for its use, nor for any infringements of patents or other rights of third parties which may result from its use.

CUI Devices products are not authorized or warranted for use as critical components in equipment that requires an extremely high level of reliability. A critical component is any component of a life support device or system whose failure to perform can be reasonably expected to cause the failure of the life support device or system, or to affect its safety or effectiveness.