

### FEATURES

- ▶ .45", 4½ digit display
- ▶ User-selectable decimal points
- ▶ User-selectable engineering units
- ▶ Non-backlit LCD or choice of AMBER, GREEN, RED or POS GREEN backlit LCD
- ▶ Wide ZERO (Offset) & SPAN (Gain) adjustment
- ▶ Snap-in panel mounting
- ▶ Gasket and clamp provided for NEMA 4, NEMA 12 & IP66 applications

### SPECIFICATIONS

#### DISPLAY

Digits: 4 ½ digits ( $\pm 19999$  counts)  
 Type: .45" (11.4 mm) 7 segment high contrast LCD  
 Polarity: automatic, "-" displayed  
 Annunciators: °F, °C, PSI, %, user selectable  
 Decimal Points: 4 position, user selectable  
 Overrange: four lower order digits blank for inputs  $>19999$  &  $<-19999$

#### INPUTS

Voltage Ranges: 5 V, 10 V adjustable, 200mV fixed  
 Configuration: single ended  
 Impedance: 390K $\Omega$

#### PERFORMANCE

Accuracy:  $\pm(0.05\%$  of full scale + 1 count)  
 Conversion Rate: 3 per second  
 Normal Mode Rejection:  $>30$  dB @ 60 Hz  
 Warmup: 10 minutes typical  
 Temperature Coeff.:  $\pm 100$  ppm per °C typical  
 Adjustments: 25 turn potentiometers  
 Offset Range: -19999 to +19999  
 Gain Range: 1 to 19999 (custom ranges available)

#### ENVIRONMENT

Operating Range: -10 to 50 °C  
 Storage Range: -10 to 75 °C

#### POWER SUPPLY

12/24 DC

#### MOUNTING

snap-in panel mount or clamp and gasket (included)

#### CONNECTION

screw terminals

### ORDERING INFO

PART NUMBER	BACKLIGHT COLOR	METER INPUT	METER POWER
DK799-XEC	NO BACKLIGHT	Voltage	12/24VDC
DK796-XEC	AMBER	Voltage	12/24VDC
DK797-XEC	GREEN	Voltage	12/24VDC
DK798-XEC	RED	Voltage	12/24VDC
DK800-XEC	POS GREEN	Voltage	12/24VDC

#### ACCESSORIES

PW2-12	Regulated 120V AC to 12V DC Power Supply
PW2-24	Regulated 120V AC to 24V DC Power Supply
PW1.0	24V AC to adjustable DC output
PW1.5	24V AC to adjustable DC output
CVC	Calibrator

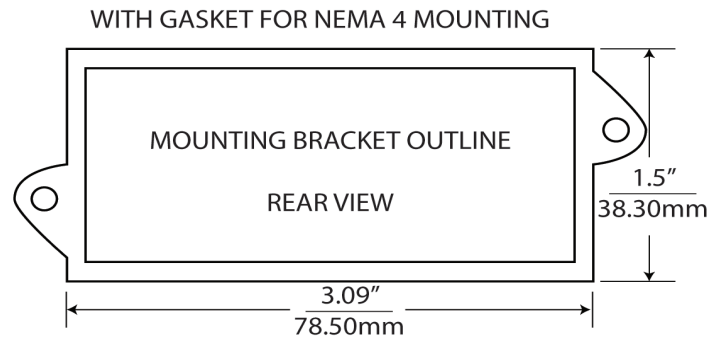
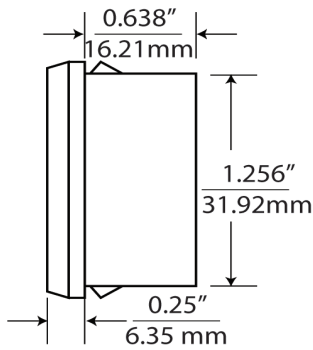
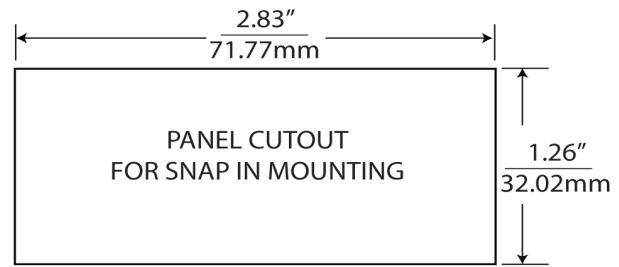
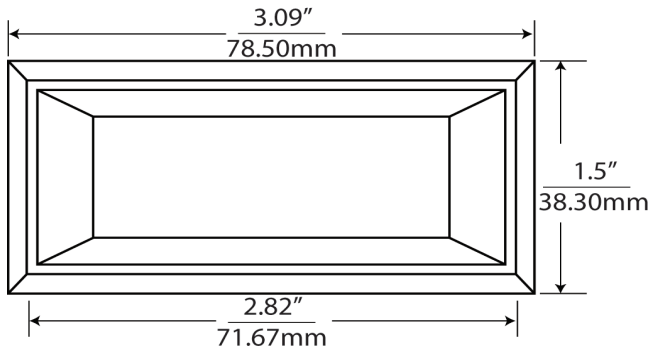


Specifications Installation and Operating Instructions  
**LCD Digital Panel Meters**  
 Adjustable Voltage Powered 4½ Digit

**DK790V-XEC**



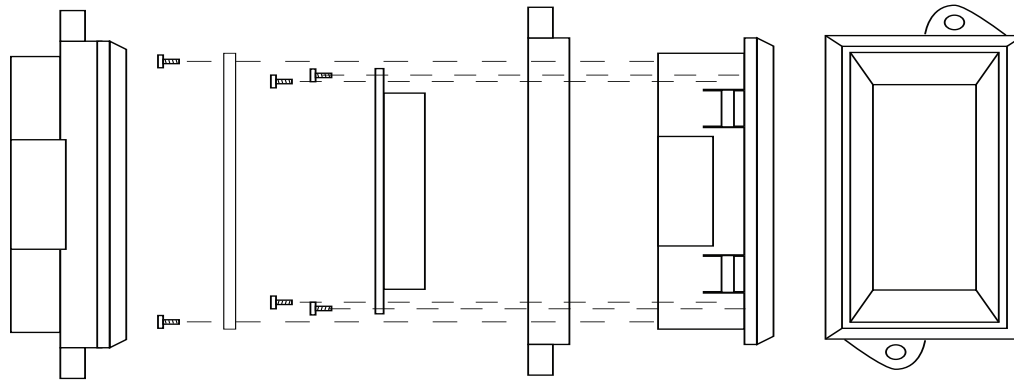
**DIMENSIONS**



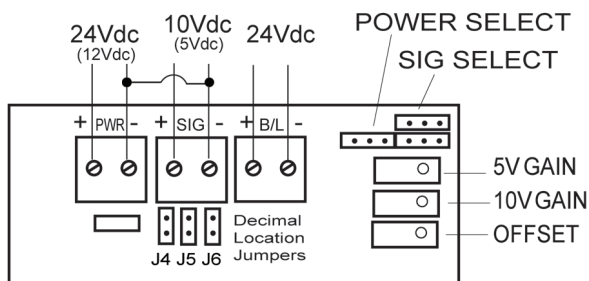
inches  
mm

**NOTES:**

1. Panel thickness is: 0.032"/0.81mm to 0.25"/6.35mm
2. Gasket supplied is: 0.09"/2.25mm thick



**WIRING**



**Decimal Point Selection**

1. Locate jumpers J4 through J6 in the middle of the circuit board unit.
2. Jumper the appropriate decimal location as follows:  
 J4 - 000.0  
 J5 - 00.00  
 J6 - 0.000  
 None - 0000

