

Table of Contents

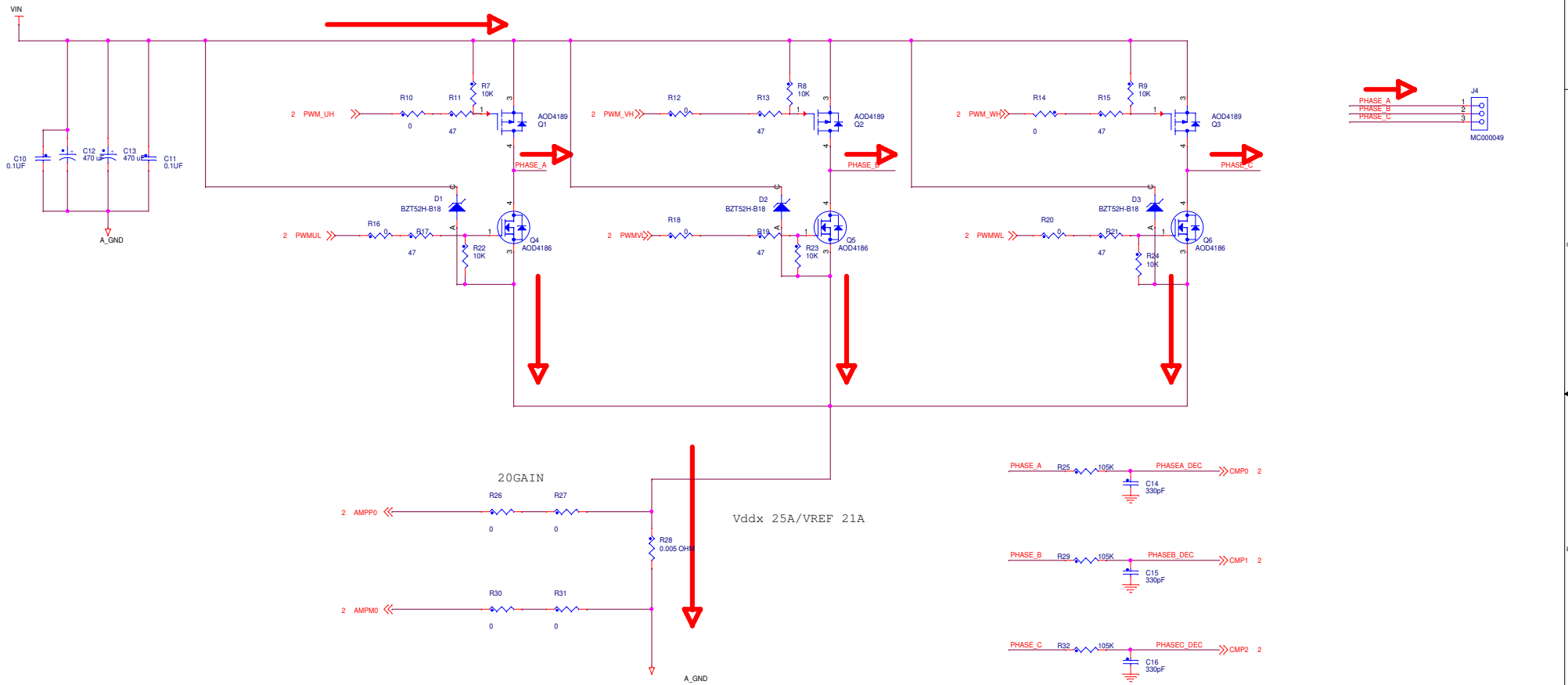
1	Title
2	MC9S08SU16 MCU
3	Power Supply and BDM interface
4	Motor Drive

Revisions & Change Log


Rev	Description	Date	Approved
A	Initial Draft	12/02/2016	

S08SU16-EVK





- BH1 FMC MOUNTING HOLE
- BH2 FMC MOUNTING HOLE
- BH3 FMC MOUNTING HOLE
- BH4 FMC MOUNTING HOLE



ICAP Classification: CP: _____ I/O: X P/B: _____	
Drawing Title: S08SU16-EVK	
Page Title: Motor Driver	
Size C	Document Number SCH-29554 PDF: SPF-29554
Date: Friday, December 16, 2016	Sheet 3 of 3