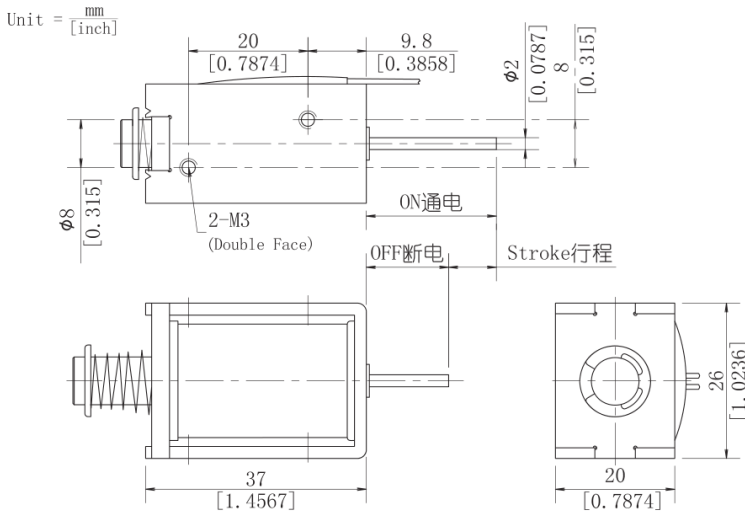
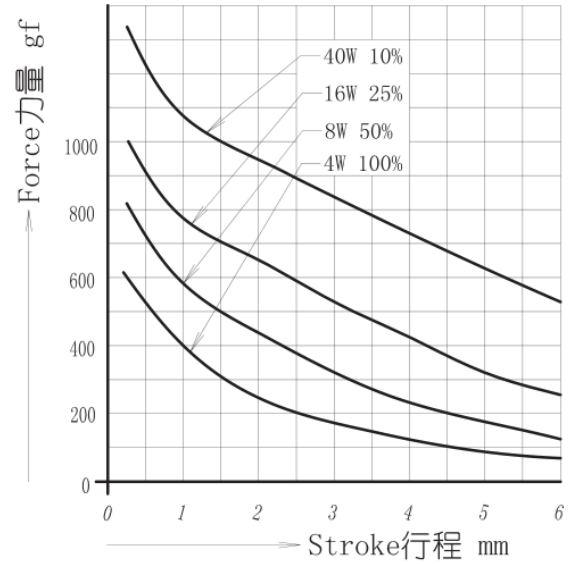


# SMO - 0837S

## Mechanical Drawing



## Stroke / Force Curve



## Stroke / Force Technical Data

Duty cycle (%) = $\frac{\text{"ON" time}}{\text{ON time} + \text{OFF time}} \times 100\%$	100%	50%	25%	10%
	Continuous	Intermittent		
MAX On time/S	$\infty$	100	36	7
Power@20°C	4	8	16	40
Part Number(**: Series number)	DC Resistance( $\Omega \cdot 20^\circ\text{C}$ )			
SMO-0837S-06A**	9	4.5	2.25	0.9
SMO-0837S-12A**	36	18	9	3.6
SMO-0837S-24A**	144	72	36	14.4
SMO-0837S-48A**	576	288	144	57.6