

7

6

5

4

3

2

1

REV C SRK-BS-MD-90-\*\*\*

REVISIONS			
SYM	DESCRIPTION	DATE	APPROVED
B	NEW RELEASE PER E.O. P20387	12-1-09	R.D.R.
C	REVISED PER E.O. P20577	8/16/10	DM

# SRK - BS - MD - 90 - 001

SERIES PREFIX

BACKSHELL BS

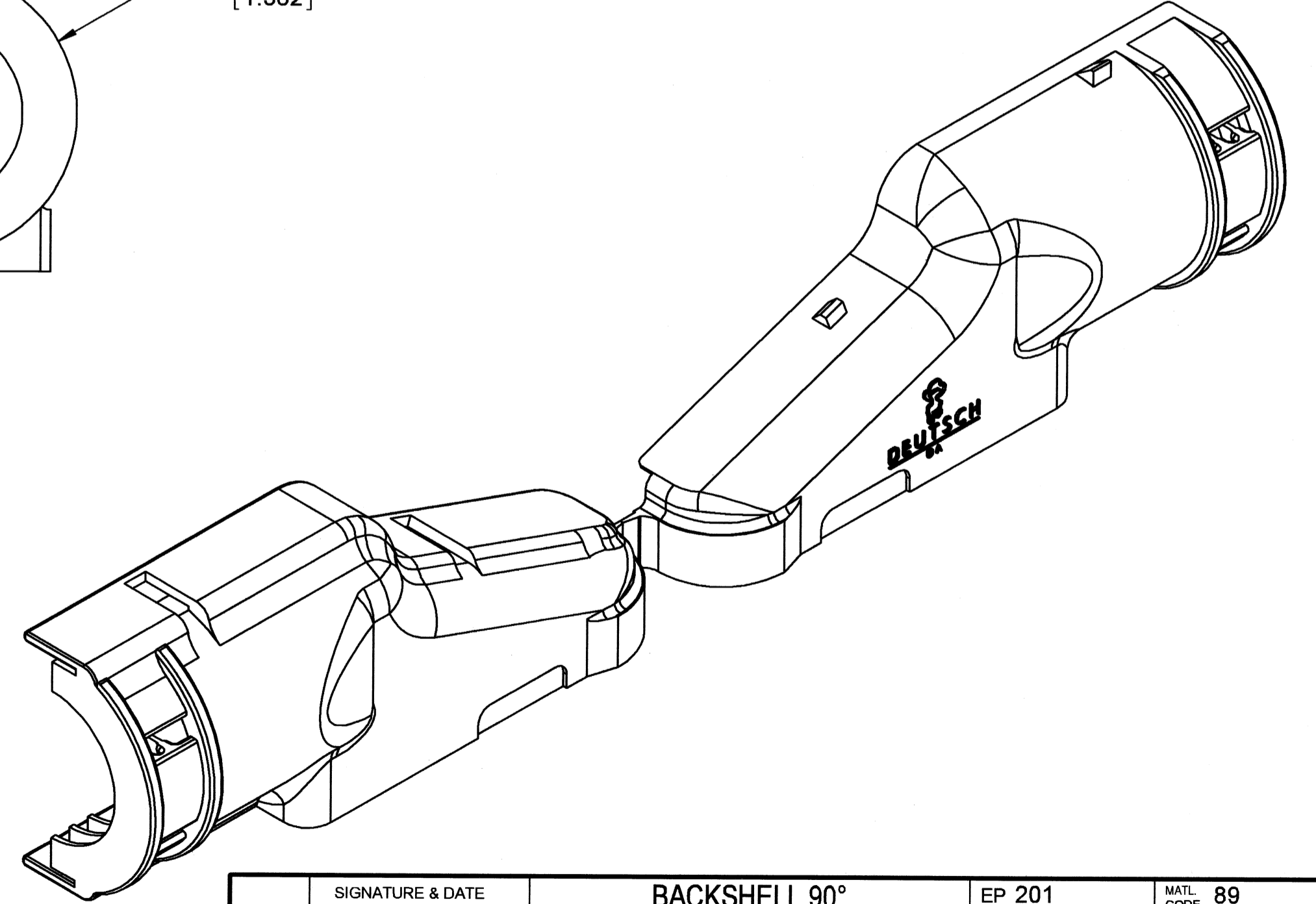
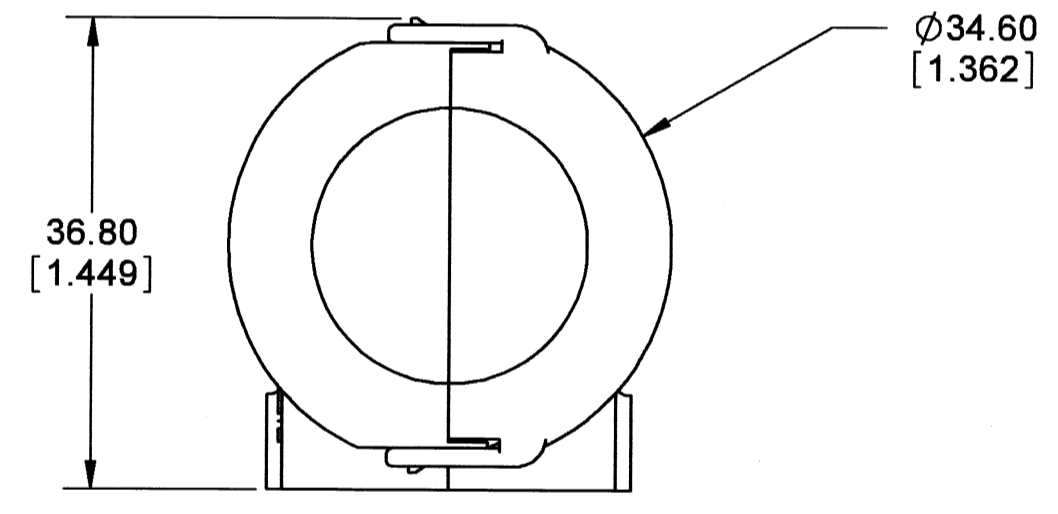
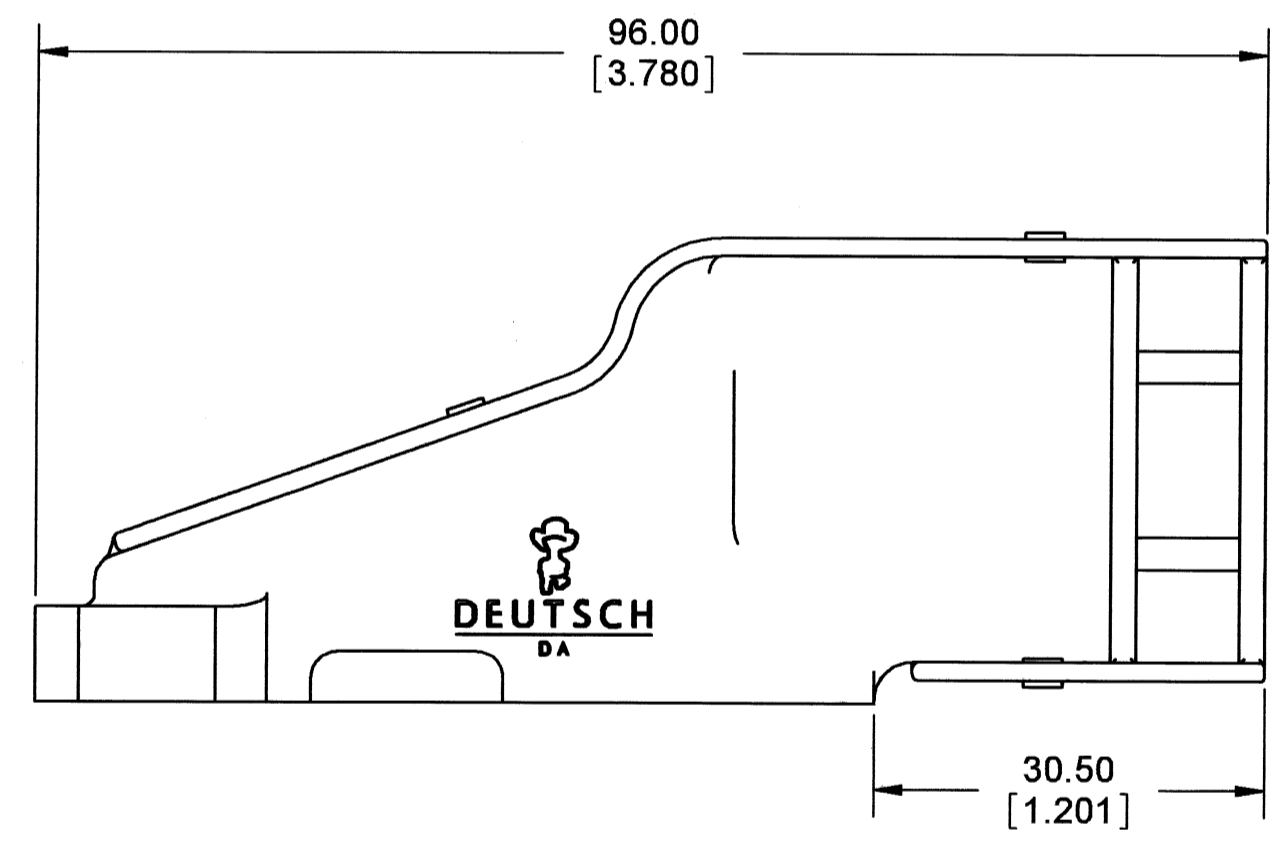
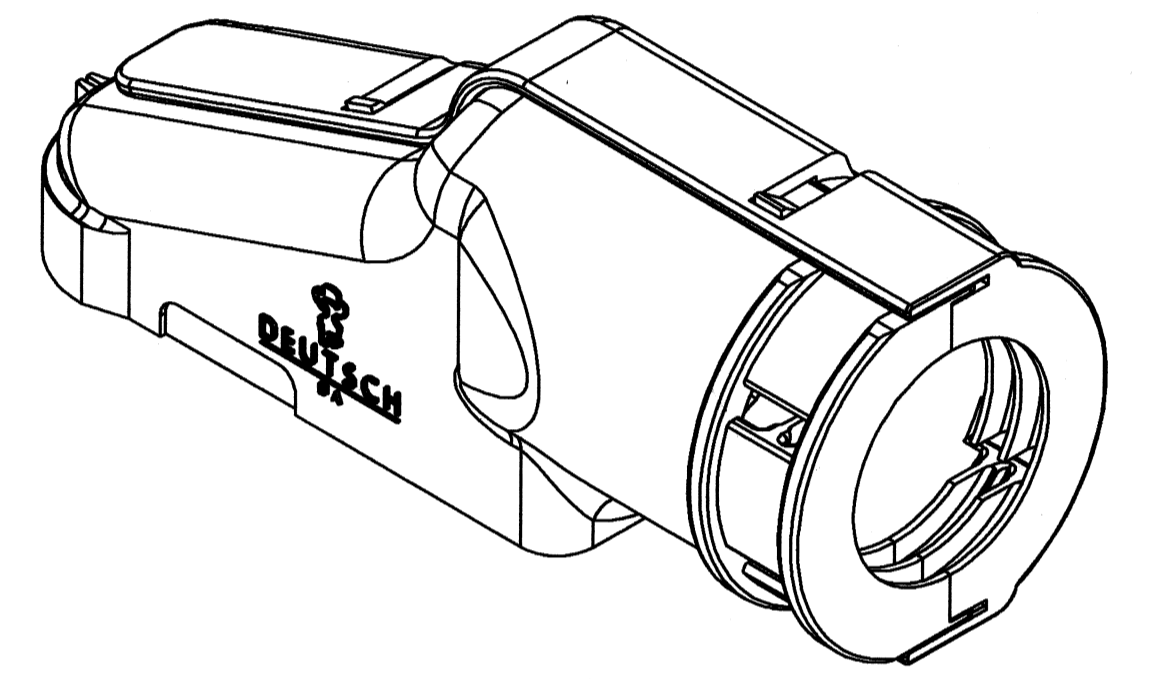
SIZE MD MEDIUM

VERSION OF CORRUGATED CONDUIT  
001 NW17 & NW22  
002 NW22

90 BACKSHELL 90°

### CONVOLUTE REQUIREMENTS:

RATED 125°C  
 NW17  
 OUTER Ø=21.20 [.835]  
 INNER Ø=16.60 [.654]  
 PITCH=2.30 [.091]  
 NW22  
 OUTER Ø=25.40 [1.000]  
 INNER Ø=21.30 [.839]  
 PITCH=3.10 [.122]



- 4. MATERIAL: PLASTIC; COLOR: BLACK.
- 3. THIS PART SNAPS ONTO SRK02-MD\*-\*\*\* AND SRK06-MD\*-\*\*\*  
\* = KEYS; \*\*\* = SEE 37322C-00013-01 FOR ARRANGEMENTS.
- 2. DIMENSIONAL TOLERANCE: ±.64 [.025].
- 1. ALL DIMENSIONS ARE IN MILLIMETERS [INCHES].

NOTES: UNLESS OTHERWISE SPECIFIED

SIGNATURE & DATE	
DR	JAI ME APOSTOL 08AUG2010
CHK	Paul M... 8/16/10
PE	Paul M... 8/16/10
APPD	D. Meyer 8/16/10
SCALE	NONE WT 18.20 g

BACKSHELL 90°  
MEDIUM SIZE (MD)  
SRK SERIES

ENVELOPE

EP 201	MATL CODE 89
3850 INDUSTRIAL AVE. HEMET, CA 92545	
DEUTSCH INDUSTRIAL	
C SRK-BS-MD-90-***	
DWG SIZE	CODE 11139 SHEET 1 OF 1

7

6

5

4

3

2

1