

39-00-0107	2759PBTL	LOOSE	0.00091 MIN REFLOWED TIN	PHOS BRO.
39-00-0064	2759PBT	CHAIN		
39-00-0381	2759PBGL	LOOSE	SELECTIVE GOLD: 0.00038 MIN. OVERALL GOLD FLASH: 0.00005-0.00025 OVERALL NICKEL UNDERPLATE: 0.00076 MIN.	BRASS
39-00-0380	2759PBG	CHAIN		
39-00-0377	2759GL	LOOSE	SELECTIVE GOLD: 0.00038 MIN. OVERALL GOLD FLASH: 0.00005-0.00025 OVERALL NICKEL UNDERPLATE: 0.00076 MIN.	BRASS
39-00-0376	2759G	CHAIN		
39-00-0373	2759TL	LOOSE	0.00089 MIN REFLOWED TIN OVER 0.00051 MIN COPPER UNDERPLATE	BRASS
39-00-0372	2759T	CHAIN		
EDP.NO.	ENG.NO.	FORM	FINISH	MATL

NOTES:

1. MATERIAL: SEE CHART
2. FINISH: SEE CHART
3. PRODUCT SPECIFICATION PS-10-07
4. DIM 1.98 +0/-0.25 TO BE SYMMETRICAL WITHIN 0.13 T.I.R
5. THIS PART CONFORMS TO CLASS B REQUIREMENTS OF COSMETIC SPECIFICATION PS-45499-002

THIS DRAWING CONTAINS INFORMATION THAT IS PROPRIETARY TO MOLEX ELECTRONIC TECHNOLOGIES, LLC AND SHOULD NOT BE USED WITHOUT WRITTEN PERMISSION

DIMENSION UNITS	SCALE	CURRENT REV DESC: REMOVED OBSOLETE PART NUMBER AS PER PCN#512351.	molex		
mm	NTS				
GENERAL TOLERANCES (UNLESS SPECIFIED)			MINI.KK.CRIMP TYPE TERM		
ANGULAR TOL	± °	EC NO: 717021	PRODUCT CUSTOMER DRAWING		
4 PLACES	±	DRWN: SANTHN 2022/08/08	DOCUMENT NUMBER		
3 PLACES	±	CHK'D: GGA 2022/08/09	SD-2759X		
2 PLACES	±	APPR: GGA 2022/08/09	DOC TYPE DOC PART REVISION		
1 PLACE	±	INITIAL REVISION:	PSD 001 Y1		
0 PLACES	±	DRWN: K. KOHAMA 2000/03/28 APPR: K. ASAKAWA 2000/04/28	SHEET NUMBER		
DRAFT WHERE APPLICABLE MUST REMAIN WITHIN DIMENSIONS	THIRD ANGLE PROJECTION	DRAWING	SERIES	MATERIAL NUMBER	CUSTOMER
		C-SIZE	2759	SEE CHART	GENERAL MARKET
					1 OF 1

8

7

6

5

4

3

2

1

F

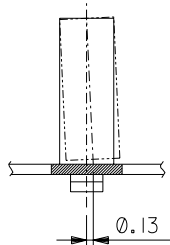
E

D

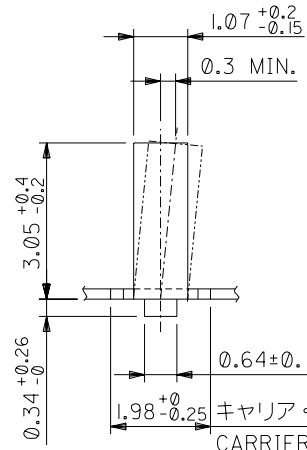
C

B

A

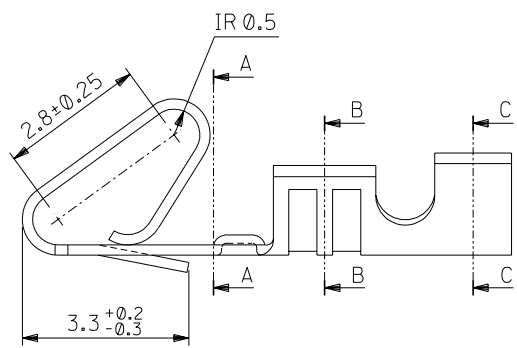
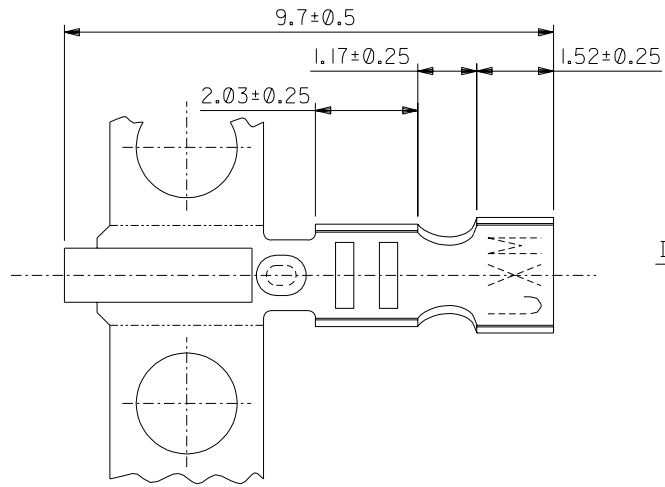


SECT. A-A



SECT. B-B

SECT. C-C



0.34 +0.26 / -0
 3.05 +0.4 / -0.2
 1.98 +0 / -0.25
 0.64 ± 0.15
 キャリア・カット寸法
 CARRIER CUT DIM.

注)
 NOTE.
 1. 芯スレ 0.13最大
 DIM 1.98 +0 / -0.25 TO BE SYMMETRICAL
 WITHIN 0.13 T.I.R

39-00-0381	2759PBGL	バラ状 LOOSE	ニ:2.0UMIN. AU:0.35UMIN.	リン 青銅 PHOS BRO.
39-00-0380	PBG	連鎖状 CHAIN		
39-00-0379	G5L	バラ状 LOOSE	ニ:2.0UMIN. AU:0.5UMIN.	黄銅 BRASS
39-00-0378	G5	連鎖状 CHAIN		
39-00-0377	GL	バラ状 LOOSE	ニ:2.0UMIN. AU:0.35UMIN.	
39-00-0376	2759G	連鎖状 CHAIN		
EDP.NO.	ENG.NO.	端子形状 FORM	メッキ仕様 FINISH	材質 MATL

表6 NO. DRWN: CH'K: APPR: 表7 NO. DRWN: CH'K: APPR: 表8 NO. J2004-3591 DRWN: A.IDA CH'K: H.TAKASE APPR: YO.ITO 表9 NO. J2002-2529 DRWN: T.ASAKAWA CH'K: K.ASAKAWA APPR: T.YAMAGUCHI 表10 NO. JC2000-0628 DRWN: K.KOHAMA CH'K: T.YAMAGUCHI APPR: M.FUKUSHIMA	REVISED	MATERIAL 材料 表参照 板厚: 0.203 SEE TABLE 0.203 THK FINISH 仕上げ 表参照 SEE TABLE WIRE RANGE 適用線径範囲 AWG #22-#28 INS. RANGE 被覆外径 φ(1.2)-φ1.7	GENERAL TOLERANCES: (UNLESS SPECIFIED) 一般公差 10 UNDER 未満 ±0.2 10 OVER 以上 ±0.25 30 UNDER 未満 ±0.25 30 OVER 以上 ±0.3 ANGLE 角度 ±3°	SCALE 10:1	DESIGN UNITS mm INCH	TITLE: MINI. KK. CRIMP TYPE TERM. MOLEX MOLEX INCORPORATED	SHT	REV	
	W			V	U		DIMENSIONS: 20° 30° 45° 60° 75° 90° PROJECTION DIMENSIONS: mm INCH mm INCH DIMENSIONS: mm ONLY DIMENSIONS: INCH ONLY	DRAWN BY & DATE K.KOHAMA '00/ 3/28 CHECKED BY & DATE K.ASAKAWA '02/04/08 APPROVED BY & DATE T.YAMAGUCHI '02/04/08 CAD FILENAME S2759.S01	MATERIAL NO. 2759* DRAWING NO. SD-2759* SHEET NO. 1
	DIMENSIONS: 20° 30° 45° 60° 75° 90° PROJECTION DIMENSIONS: mm INCH mm INCH DIMENSIONS: mm ONLY DIMENSIONS: INCH ONLY			DRAWN BY & DATE K.KOHAMA '00/ 3/28 CHECKED BY & DATE K.ASAKAWA '02/04/08 APPROVED BY & DATE T.YAMAGUCHI '02/04/08 CAD FILENAME S2759.S01	MATERIAL NO. 2759* DRAWING NO. SD-2759* SHEET NO. 1				
	DIMENSIONS: 20° 30° 45° 60° 75° 90° PROJECTION DIMENSIONS: mm INCH mm INCH DIMENSIONS: mm ONLY DIMENSIONS: INCH ONLY			DRAWN BY & DATE K.KOHAMA '00/ 3/28 CHECKED BY & DATE K.ASAKAWA '02/04/08 APPROVED BY & DATE T.YAMAGUCHI '02/04/08 CAD FILENAME S2759.S01	MATERIAL NO. 2759* DRAWING NO. SD-2759* SHEET NO. 1				

8

7

6

5

4

3

2

EN-02J(097) MXJ-54

S2759.S01

SIZE B