

THIS DRAWING CONTAINS INFORMATION THAT IS PROPRIETARY TO MOLEX ELECTRONIC TECHNOLOGIES, LLC AND SHOULD NOT BE USED WITHOUT WRITTEN PERMISSION

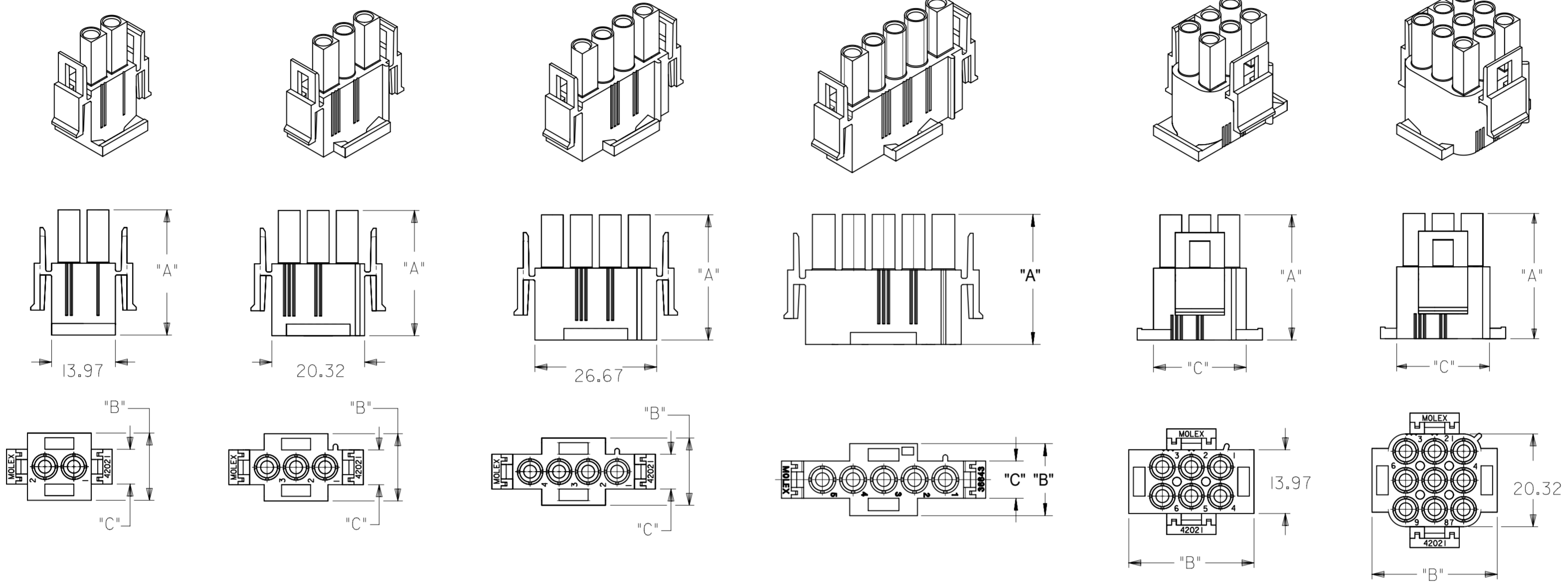
DIMENSION UNITS		SCALE		CURRENT REV DESC: MIGRATED TO ECTR			
MM		1:1		<p style="text-align: center;">molex</p> <p style="text-align: center;">HOUSING, PLUG 2.13 DIA. SERIES</p> <p style="text-align: center;">PRODUCT CUSTOMER DRAWING</p>			
GENERAL TOLERANCES (UNLESS SPECIFIED)							
	MM	INCH					
4 PLACES	±		±				
3 PLACES	±		± 0.1				
2 PLACES	± 0.25		± 0.14				
1 PLACE	± 0.36		±				
0 PLACES	±		±	EC NO: 178202 DRWN: RLALSANGI 2018/02/26 CHK'D: NCSR 2018/07/12 APPR: NCSR 2018/07/12			
ANGULAR TOL ± °				INITIAL REVISION:			
DRAFT WHERE APPLICABLE MUST REMAIN WITHIN DIMENSIONS				THIRD ANGLE PROJECTION		DRAWING	
				SERIES		MATERIAL NUMBER	
				A2-SIZE		CUSTOMER	
				42021		GENERAL MARKET	
				SEE TABLE OF SHEET 2		SHEET NUMBER	
						1 OF 2	

PART NO.	CIRCUIT SIZE	MATERIAL (SEE NOTE 1)	DIM "A"	DIM "B"	DIM "C"
050-84-1010	1	A	27.69	7.37	--
050-84-1015	1	C			
050-84-1020	2	A	27.61	14.73	7.62
050-84-1025	2	C			
050-84-1030	3	A	27.61	14.73	7.62
050-84-1035	3	C			
050-84-1040	4	A	27.61	14.73	7.62
050-84-1045	4	C			
050-84-1060	6	A	27.61	27.43	20.32
050-84-1065	6	C			
050-84-1090	9	A	27.61	27.43	20.32
050-84-1095	9	C			
050-84-1120	12	A	27.61	27.43	20.32
050-84-1125	12	C			
050-84-1150	15	A	27.61	27.43	20.32
050-84-1155	15	C			
366480001	1	D	27.43	7.37	--
366480002	2	D		14.73	7.62
366480003	3	D			
366480004	4	D			
366480005	6	D	27.43	27.43	20.32
366480006	9	D			
366480007	12	D			
366480008	15	D			

NOTES:

- MATERIAL CODES:
 "A"= NYLON TYPE 6/6, 94V-2
 COLOR: NATURAL (WHITE/TRANSLUCENT)
 "C"= NYLON TYPE 6/6, 94V-0
 COLOR: NATURAL (WHITE)
 "D"= NYLON 94V-2
 COLOR: BLACK (ZYTEL 101F)
- UNLESS OTHERWISE INDICATED, DIMENSIONS ARE FOR REFERENCE ONLY.
- PLUG HOUSINGS MATE WITH:
 -CAP HOUSINGS, 2.13 DIA. SERIES: (42022-****)
 -HEADER ASSEMBLY HOUSINGS, 2.13 DIA. SERIES: (A-42002-****)
- HOUSINGS DESIGNED TO BE USED WITH TERMINALS:
 -PINS, 2.13 DIA. SERIES: (42023-****)
 -SOCKETS, 2.13 DIA. SERIES: (42024-****)
- CONTACTS ARE ON 6.35 GRID CENTERLINE SPACING.
- PRODUCT SPECIFICATION PS-42022-0001 APPLIES.
- FOR GLOW WIRE COMPATIBLE PART NUMBERS REFER DOCUMENT NO SD-36643-009.

THIS DRAWING CONTAINS INFORMATION THAT IS PROPRIETARY TO MOLEX ELECTRONIC TECHNOLOGIES, LLC AND SHOULD NOT BE USED WITHOUT WRITTEN PERMISSION									
DIMENSION UNITS		SCALE		CURRENT REV DESC: MIGRATED TO ECTR				molex	
MM		1:1							
GENERAL TOLERANCES (UNLESS SPECIFIED)				EC NO: 178202				HOUSING, PLUG 2.13 DIA. SERIES	
				DRWN: RLALSANGI 2018/02/26					
4 PLACES ±				CHK'D: NCSR 2018/07/12				PRODUCT CUSTOMER DRAWING	
3 PLACES ±				APPR: NCSR 2018/07/12					
2 PLACES ± 0.25				INITIAL REVISION:				DOCUMENT NUMBER	
1 PLACE ± 0.36				DRWN: RK 1987/11/16					
0 PLACES ±				APPR: GWF 1987/11/16				420210000	
ANGULAR TOL ± °				THIRD ANGLE PROJECTION		DRAWING		DOC TYPE	
DRAFT WHERE APPLICABLE MUST REMAIN WITHIN DIMENSIONS						A2-SIZE		PSD	
				SERIES		MATERIAL NUMBER		DOC PART	
				42021		SEE TABLE OF SHEET 2		000	
						CUSTOMER		REVISION	
						GENERAL MARKET		A	
								SHEET NUMBER	
								2 OF 2	



PRE-RELEASE
REFERENCE
USE ONLY

THIS DRAWING CONTAINS INFORMATION THAT IS PROPRIETARY TO MOLEX ELECTRONIC TECHNOLOGIES, LLC AND SHOULD NOT BE USED WITHOUT WRITTEN PERMISSION									
DIMENSION UNITS mm		SCALE 1:1		CURRENT REV DESC: REMOVED OBSOLETE PART NUMBER AS PER PCN#509450.				molex	
GENERAL TOLERANCES (UNLESS SPECIFIED)				EC NO: 694111					
		MM	INCH	DRWN: SUGEEB		2022/01/25		HOUSING, PLUG 2.13 DIA. SERIES	
4 PLACES		±	±	CHK'D: GGA		2022/03/31			
3 PLACES		±	±	APPR: GGA		2022/03/31		PRODUCT CUSTOMER DRAWING	
2 PLACES		± 0.25	±	INITIAL REVISION:					
1 PLACE		± 0.36	±	DRWN: MRAMAKRISHNA		2013/01/30		DOCUMENT NUMBER	
0 PLACES		±	±	APPR: KPRASAD		2013/03/11		SD-36643-009	
ANGULAR TOL		± °		THIRD ANGLE PROJECTION		DRAWING		DOC TYPE	
DRAFT WHERE APPLICABLE MUST REMAIN WITHIN DIMENSIONS				SERIES		MATERIAL NUMBER		DOC PART	
				A2-SIZE		36643		REVISION	
				SEE SHEET 2		CUSTOMER		C1	
				GENERAL MARKET		SHEET NUMBER		1 OF 2	

DOCUMENT STATUS	P1	RELEASE DATE	2022/03/31	10:33:08
-----------------	----	--------------	------------	----------

PART NO.	CIRCUIT SIZE	MATERIAL (SEE NOTE 1)	DIM "A"	DIM "B"	DIM "C"
366430002	2	E	27.61	14.73	7.62
366430003	3	E	27.61	14.73	7.62
366430004	4	E	27.61	14.73	7.62
366430010	5	E	27.61	14.73	7.62
366430005	6	E	27.61	27.43	20.32
366430006	9	E	27.61	27.43	20.32

NOTES:

- MATERIAL CODE
"E"= NYLON 94V-2
COLOUR : NATURAL
GLOW WIRE COMPATIBLE WITH CTI OF 325 VOLTS, ACCORDING TO IEC 60335-4TH EDITION
- UNLESS OTHERWISE INDICATED, DIMENSIONS ARE FOR REFERENCE ONLY
- PLUG HOUSINGS MATE WITH:
- CAP HOUSINGS, 2.13 DIA. SERIES 36644(SD-36644-009)
- HEADER ASSEMBLY, 2.13 DIA. SERIES 36757(SD-36757-0002)
- HOUSING DESIGNED TO BE USED WITH TERMINALS:
- PINS, 2.13 DIA. SERIES 42023
- SOCKETS, 2.13 DIA. SERIES 42024
- CONTACTS ARE ON 6.35 GRID CENTERLINE SPACING
- PRODUCT SPECIFICATION PS-42022-0001 APPLIES

PRE-RELEASE
REFERENCE
USE ONLY

THIS DRAWING CONTAINS INFORMATION THAT IS PROPRIETARY TO MOLEX ELECTRONIC TECHNOLOGIES, LLC AND SHOULD NOT BE USED WITHOUT WRITTEN PERMISSION									
DIMENSION UNITS mm		SCALE 1:1		CURRENT REV DESC: REMOVED OBSOLETE PART NUMBER AS PER PCN#509450.				molex	
GENERAL TOLERANCES (UNLESS SPECIFIED)				EC NO: 694111		HOUSING, PLUG 2.13 DIA. SERIES			
		MM	INCH	DRWN: SUGEEB		2022/01/25		PRODUCT CUSTOMER DRAWING	
4 PLACES ±				CHK'D: GGA		2022/03/31			
3 PLACES ±				APPR: GGA		2022/03/31		DOCUMENT NUMBER SD-36643-009	
2 PLACES ± 0.25				INITIAL REVISION:		DOC TYPE PSD			
1 PLACE ± 0.36				DRWN: MRAMAKRISHNA		2013/01/30		REVISION C1	
0 PLACES ±				APPR: KPRASAD		2013/03/11			
ANGULAR TOL ± °				DRAFT WHERE APPLICABLE MUST REMAIN WITHIN DIMENSIONS		THIRD ANGLE PROJECTION		DRAWING A2-SIZE	
				SERIES 36643		MATERIAL NUMBER SEE SHEET 2		CUSTOMER GENERAL MARKET	
						SHEET NUMBER 2 OF 2			