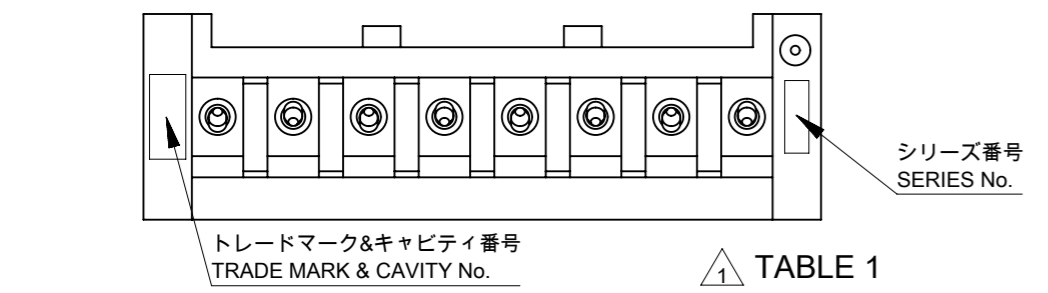


NOTES

- ① 材料及び仕上げ(めっき仕様) : TABLE 1参照
MATERIAL AND FINISHES : SEE TABLE 1
- 2. 製品仕様書 : 511630000-PS 000
PRODUCT SPECIFICATION:511630000-PS 000
- 3. 梱包仕様書 : 535179200-SPK 200
PACKAGING SPECIFICATION: 535179200-SPK 200
- 4. 嵌合相手 : 51163 シリーズ
MATES WITH:51163 SERIES
- 5. アプリケーション仕様書(コネクタ取扱い説明書) : 2166940000-AS PS 000
APPLICATION SPECIFICATION(CONNECTOR MANUAL) : 2166940000-AS PS 000
- ⑥ 偶数極に適用
APPLY FOR EVEN CIRCUIT
- 7. GLOW WIRE TEST適合品
THIS PRODUCT IS GLOW WIRE TEST COMPATIBLE.

| | | | HOUSING COLOR | |
|------|------|------|---|--------------------|
| | | | SEE SHEET 2 | |
| 38.2 | 35 | 39.9 | 5351715** | 15 |
| 35.7 | 32.5 | 37.4 | 5351714** | 14 |
| 33.2 | 30 | 34.9 | 5351713** | 13 |
| 30.7 | 27.5 | 32.4 | 5351712** | 12 |
| 28.2 | 25 | 29.9 | 5351711** | 11 |
| 25.7 | 22.5 | 27.4 | 5351710** | 10 |
| 23.2 | 20.0 | 24.9 | 5351709** | 9 |
| 20.7 | 17.5 | 22.4 | 5351708** | 8 |
| 18.2 | 15.0 | 19.9 | 5351707** | 7 |
| 15.7 | 12.5 | 17.4 | 5351706** | 6 |
| 13.2 | 10.0 | 14.9 | 5351705** | 5 |
| 10.7 | 7.5 | 12.4 | 5351704** | 4 |
| 8.2 | 5.0 | 9.9 | 5351703** | 3 |
| 5.7 | 2.5 | 7.4 | 5351702** | 2 |
| C | B | A | 発注番号 ORDER No. 梱包形態 : トレイ PACKAGE:TRAY | 極数 CIRCUIT SIZE |

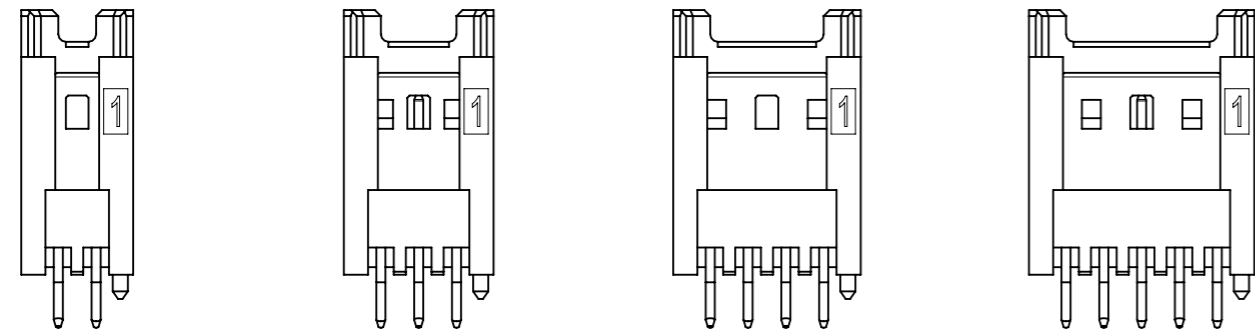


① TABLE 1

| 部品 PART | 材料 MATERIAL |
|----------------------------|--|
| ① プラグハウジング PLUG HOUSING | ポリアミド,ガラス含有,UL94V-0,色 : SEE SHEET 2 POLYAMIDE(PA),GLASS FILLED,UL94V-0,COLOR: SEE SHEET 2 |
| ② プラグピン PLUG PIN | りん青銅 PHOSPHOR BRONZE |
| | 錫めっき : 1.0 MICROMETER MINIMUM MATTE TIN PLATING : 1.0 MICROMETER MINIMUM |
| | 銅めっき(下地めっき) : 0.5 MICROMETERS MINIMUM COPPER PLATING(UNDER PLATING) : 0.5 MICROMETERS MINIMUM |

THIS DRAWING CONTAINS INFORMATION THAT IS PROPRIETARY TO MOLEX ELECTRONIC TECHNOLOGIES, LLC AND SHOULD NOT BE USED WITHOUT WRITTEN PERMISSION

| | | | | |
|--|--------------|--|-----------------|----------|
| DIMENSION UNITS mm | SCALE NTS | CURRENT REV DESC: | | |
| GENERAL TOLERANCES (UNLESS SPECIFIED) | | <p>molex</p> <p>MINI-LOCK 2.5 W/B SINGLE ROW VERTICAL PLUG ASSEMBLY FOR POTTING</p> <p>PRODUCT CUSTOMER DRAWING</p> | | |
| ANGULAR TOL | ± 3.0 ° | | | |
| 4 PLACES | ± | | | |
| 3 PLACES | ± | | | |
| 2 PLACES | ± 0.2 | | | |
| 1 PLACE | ± 0.2 | EC NO: 652870 | 2023/03/27 | |
| 0 PLACES | ± 0.2 | DRWN: MIKEDA01 | 2023/05/15 | |
| DRAFT WHERE APPLICABLE MUST REMAIN WITHIN DIMENSIONS | | CHK'D: SAKIYAMA | 2023/05/15 | |
| THIRD ANGLE PROJECTION | | APPR: AIDA | 2023/05/15 | |
| DRAWING A3-SIZE | | INITIAL REVISION: | DOCUMENT NUMBER | |
| SERIES 53517 | | DRWN: RWATANABE01 | 535170000-SD | |
| MATERIAL NUMBER | | APPR: TKANEKO | DOC TYPE | DOC PART |
| CUSTOMER GENERAL | | 2018/03/14 | PSD | 001 |
| SHEET NUMBER 1 OF 2 | | 2018/09/10 | REVISION E | |



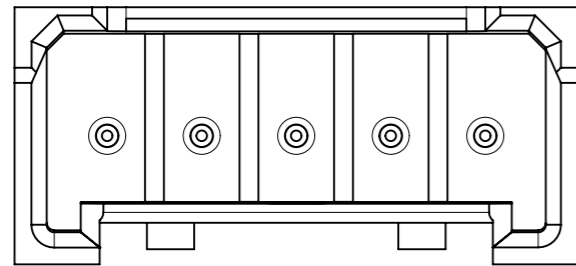
2CIRCUIT

3CIRCUIT

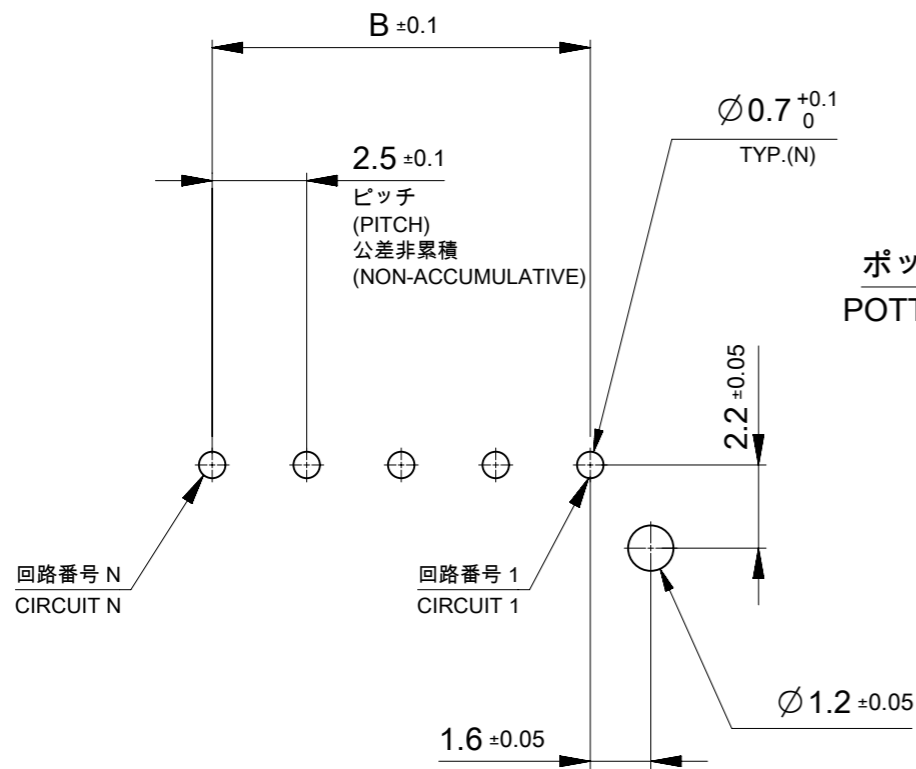
4CIRCUIT

5-15CIRCUIT

ロック形状図
LOCK CONFIGURATION

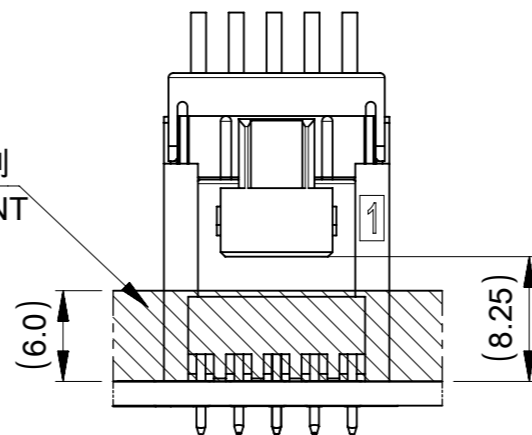


製品レイアウト
PRODUCT LAYOUT

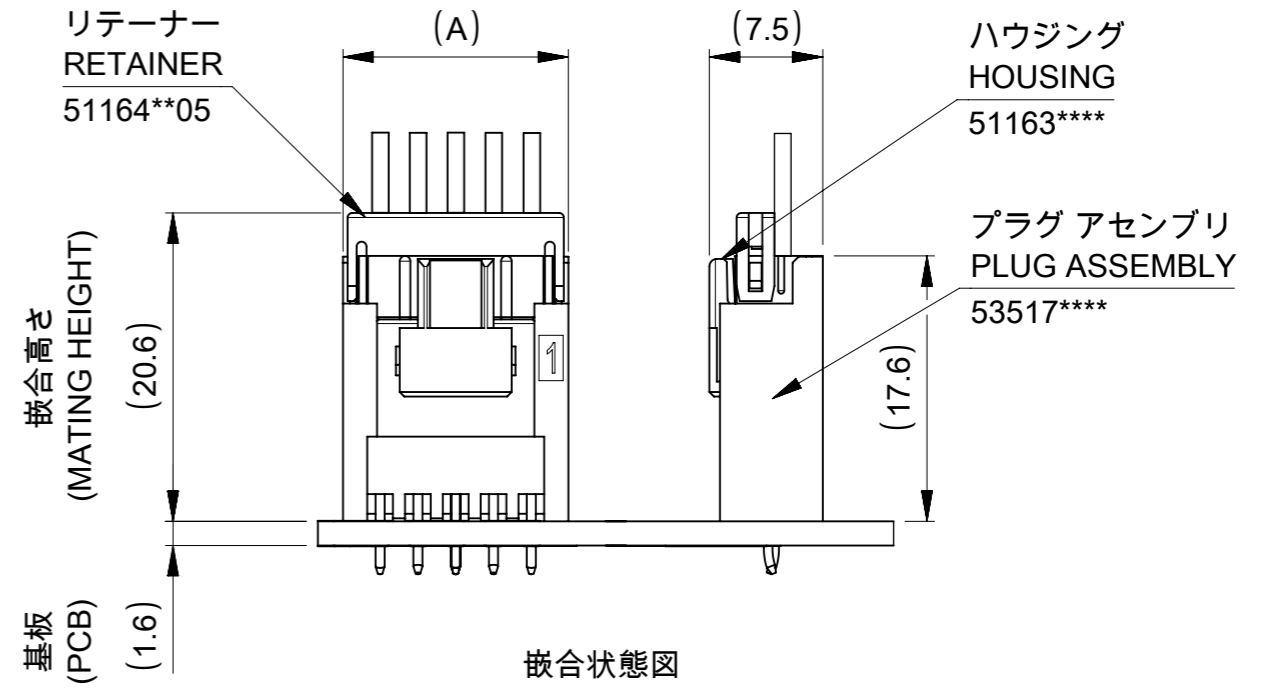


基板取付穴推奨寸法(マウント面)
RECOMMENDED PCB HOLE DIMENSION
(MOUNTING SIDE), (t=1.6)

ポッティング剤
POTTING AGENT



参考ポッティング高さ
POTTING HEIGHT (REFERENCE)



嵌合状態図
MATED CONNECTORS

| | BLACK | NATURAL (WHITE) | HOUSING COLOR |
|--|-------------------|-----------------|--------------------|
| | 535171541 | 535171530 | 15 |
| | 535171441 | 535171430 | 14 |
| | 535171341 | 535171330 | 13 |
| | 535171241 | 535171230 | 12 |
| | 535171141 | 535171130 | 11 |
| | 535171041 | 535171030 | 10 |
| | 535170941 | 535170930 | 9 |
| | 535170841 | 535170830 | 8 |
| | 535170741 | 535170730 | 7 |
| | 535170641 | 535170630 | 6 |
| | 535170541 | 535170530 | 5 |
| | 535170441 | 535170430 | 4 |
| | 535170341 | 535170330 | 3 |
| | 535170241 | 535170230 | 2 |
| | 発注番号 ORDER NO. | | 極数 CIRCUIT SIZE |

THIS DRAWING CONTAINS INFORMATION THAT IS PROPRIETARY TO MOLEX ELECTRONIC TECHNOLOGIES, LLC AND SHOULD NOT BE USED WITHOUT WRITTEN PERMISSION

| | | | | |
|--|-------|---|---------|--------------|
| DIMENSION UNITS | SCALE | CURRENT REV DESC: | | |
| mm | NTS | | | |
| GENERAL TOLERANCES (UNLESS SPECIFIED) | | molex | | |
| ANGULAR TOL ± 3.0° | | MINI-LOCK 2.5 W/B SINGLE ROW VERTICAL PLUG ASSEMBLY FOR POTTING | | |
| 4 PLACES ± | | PRODUCT CUSTOMER DRAWING | | |
| 3 PLACES ± | | DOCUMENT NUMBER | | |
| 2 PLACES ± 0.2 | | 535170000-SD | | |
| 1 PLACE ± 0.2 | | DOC TYPE DOC PART REVISION | | |
| 0 PLACES ± 0.2 | | PSD 001 E | | |
| DRAFT WHERE APPLICABLE MUST REMAIN WITHIN DIMENSIONS | | THIRD ANGLE PROJECTION | DRAWING | SHEET NUMBER |
| | | | A3-SIZE | 53517 |

EC NO: 652870
DRWN: MIKEDA01 2023/03/27
CHK'D: SAKIYAMA 2023/05/15
APPR: AIDA 2023/05/15

INITIAL REVISION:
DRWN: RWATANABE01 2018/03/14
APPR: TKANEKO 2018/09/10

MATERIAL NUMBER: 53517
CUSTOMER: GENERAL
SHEET NUMBER: 2 OF 2