

MATERIALS AND FINISHES

BODY: ZINC ALLOY
PLATED NICKEL

CENTER CONTACT: PHOSPHOR BRONZE
PLATED GOLD

INSULATOR: POLYPROPYLENE

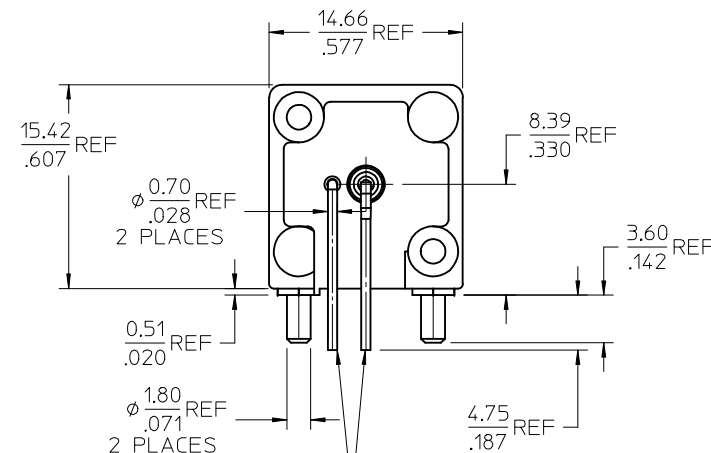
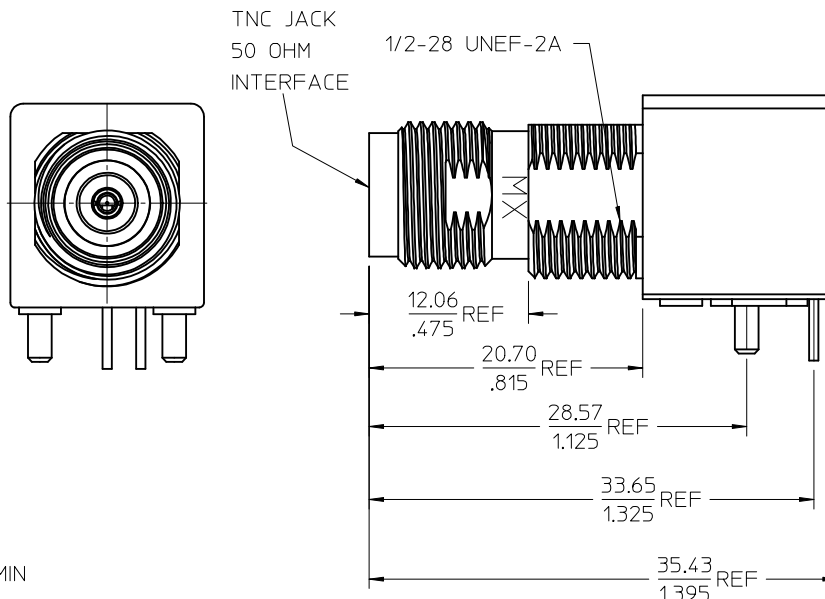
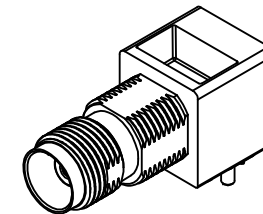
MOUNTING POST: BRASS
PLATED TIN

SOLDER TAIL: STEEL
PLATED TIN

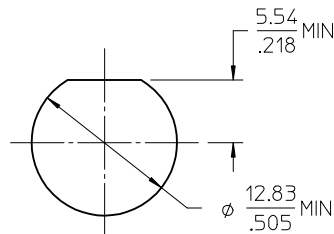
WASHER: PHOSPHOR BRONZE
PLATED NICKEL

JAM NUT: BRASS
PLATED NICKEL

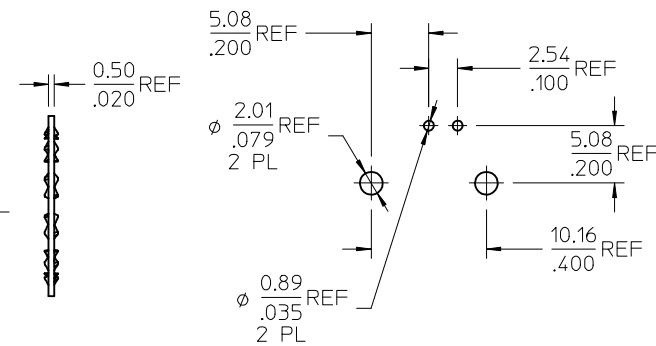
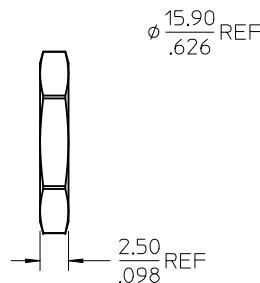
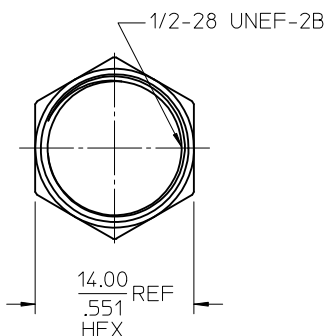
PACKAGING: BY TRAY



NOTE: THESE LEADS ADJUSTABLE TO FIT
PCB PATTERN DURING INSTALLATION



RECOMMENDED MOUNTING HOLE
MAXIMUM PANEL THICKNESS: 5.4mm (.213)
RECOMMENDED MOUNTING TORQUE:
1.36 N-M (12 INCH-POUNDS MAX)



RECOMMENDED PCB LAYOUT

PART # 73205-5033

CHG:ADD FRONT VIEW ADD PACKAGING PER R/15-E281 IEC NO: URF2016-0105 DRW:NCME102 2015/08/12 CHKD: APPR:YCHENG 2015/08/19	QUALITY SYMBOLS	▽=0
	DESCRIPTION	▽=0
REV	A2	

GENERAL TOLERANCES (UNLESS SPECIFIED)	
mm	INCH
4 PLACES ± .005	± .0005
3 PLACES ± .005	± .0005
2 PLACES ± .005	± .0005
1 PLACE ± .005	± .0005
0 PLACE ± .005	± .0005
ANGULAR ± 2 °	
DRAFT WHERE APPLICABLE MUST REMAIN WITHIN DIMENSIONS	

DIMENSION STYLE MM/IN	
DRAWN BY	DATE
JOE	96/07/11
CHECKED BY	DATE
APPROVED BY	DATE
	96/07/11
MATERIAL NO.	DOCUMENT NO.
732055033	SD-73205-5033
SIZE	
C	

SCALE	DESIGN UNITS	THIRD ANGLE PROJECTION
METRIC		
TNC JACK R/A PCB 50 OHM TNC - J/RA/PCB		
molex		
SHEET NO.	1 OF 1	