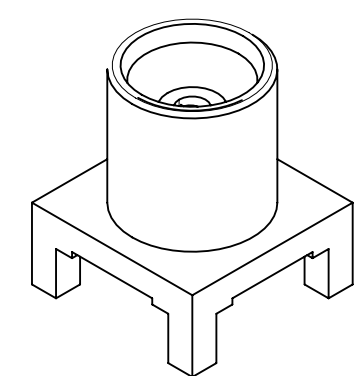
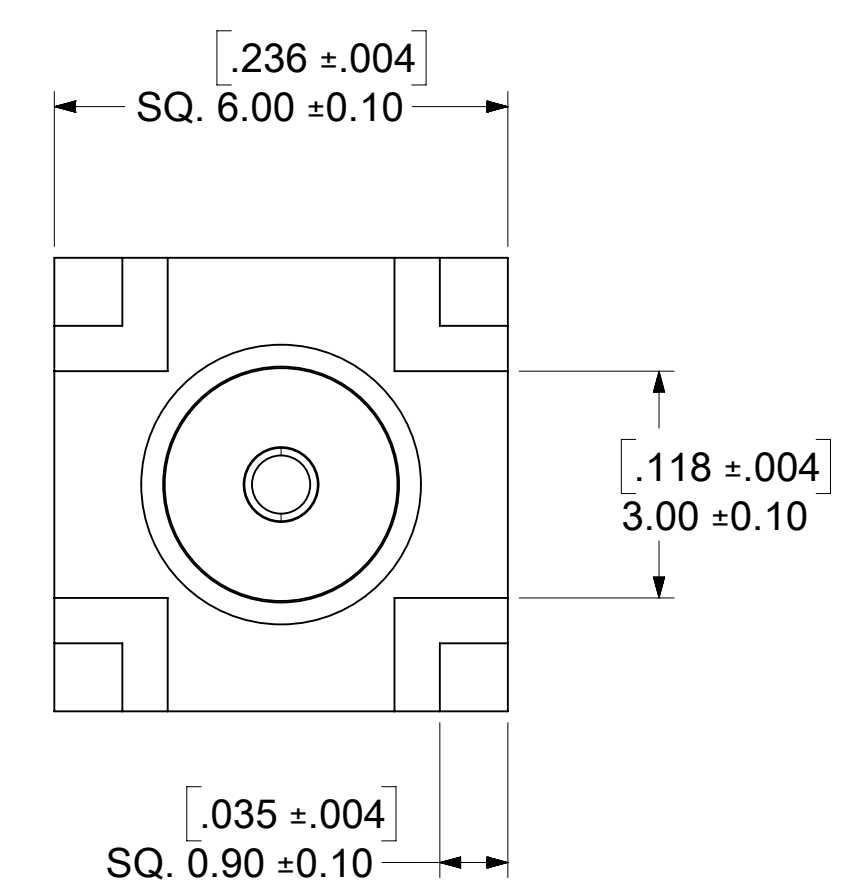
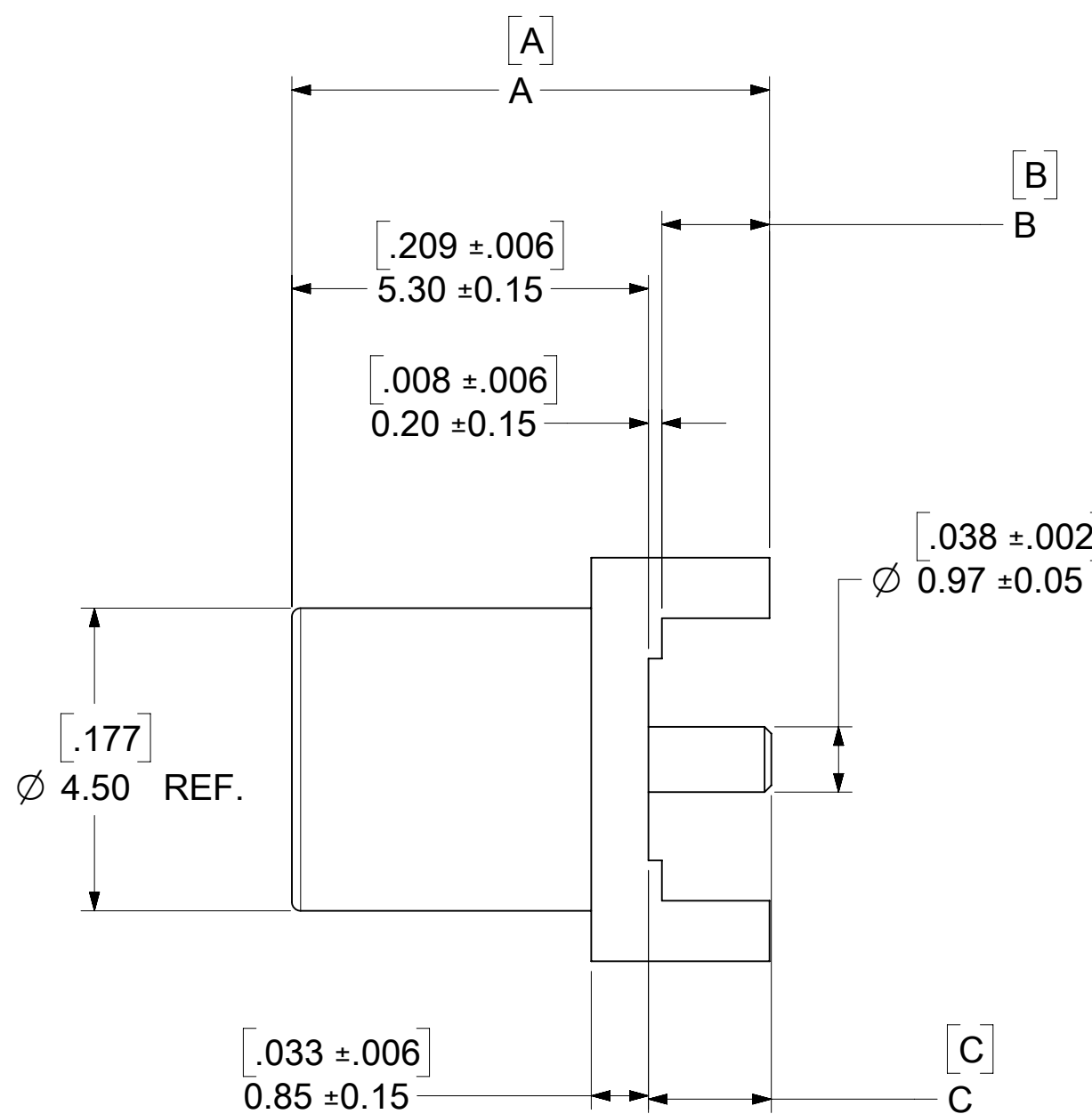
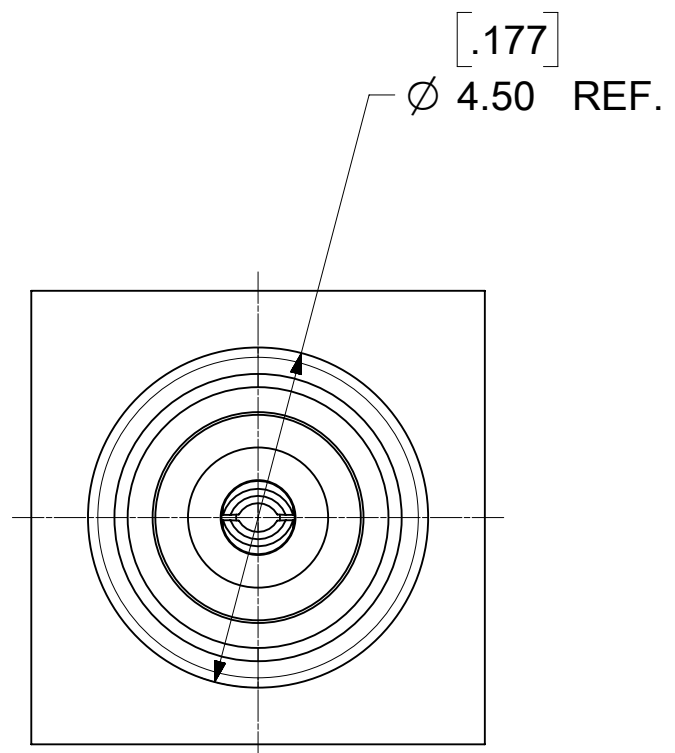


MATERIALS AND FINISHES:

CONTACT: BERYLLIUM COPPER  
 PLATED GOLD 30u" MIN. OVER NICKEL 50u" MIN.  
 (73366-6190/6191 PLATING SEE TABLE)

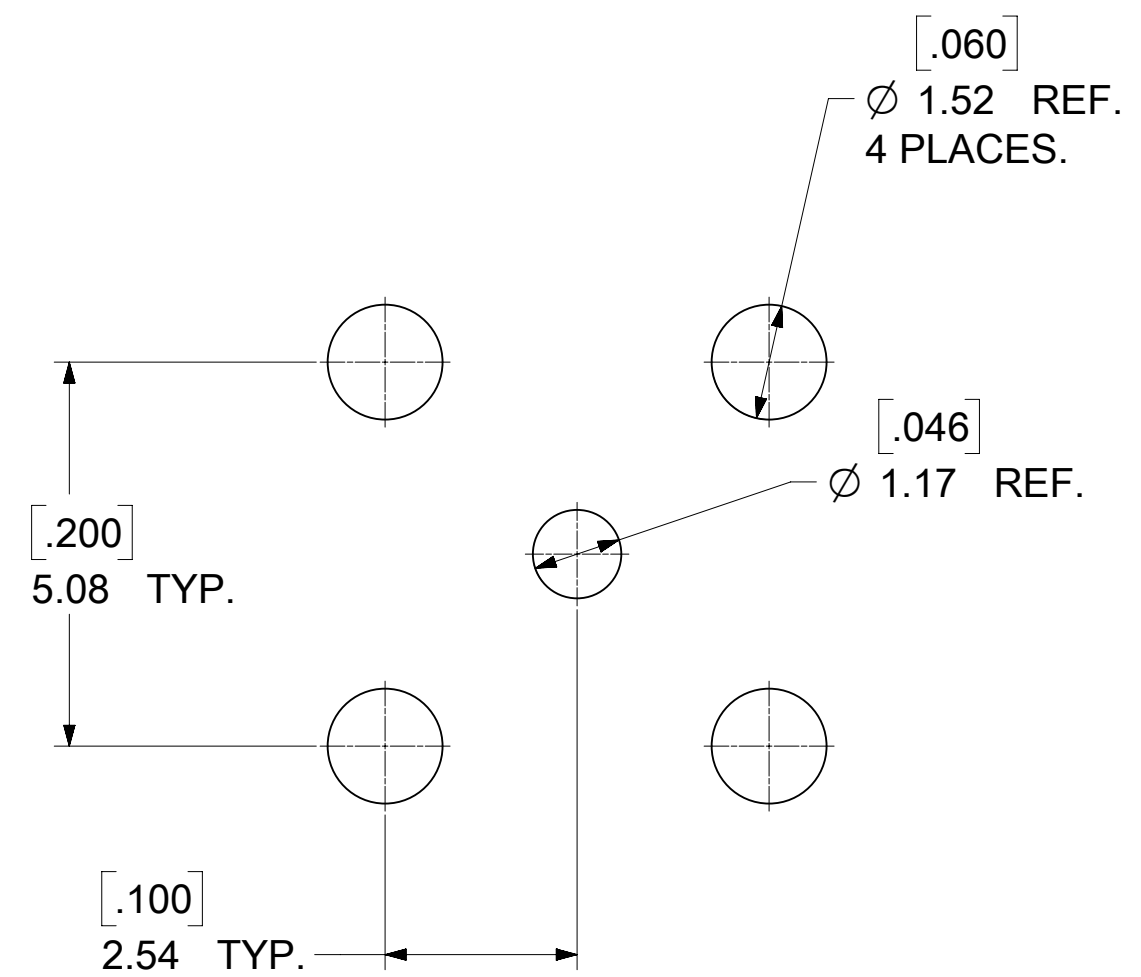
INSULATOR: TEFLON

BODY: BRASS  
 PLATED SEE TABLE



SEE SD-73366-619 FOR CONTINUATION OF TABULATION

73366-6192	.280±.006	7.10±0.15	.062±.006	1.58±0.15	.073±.006	1.86±0.15	GOLD 1u" MIN.	CONTACT GOLD 1u" MIN. ; TAPE & REEL
73366-6191	.280±.006	7.10±0.15	.062±.006	1.58±0.15	.073±.006	1.86±0.15	GOLD 1u" MIN.	73366-0061 TAPE & REEL
73366-6190	.579±.006	14.70±0.30	.062±.006	1.58±0.15	.071 REF	1.81 REF	GOLD 1u" MIN.	CONTACT GOLD 10u" MIN. ; TRAY
73366-0069	.280±.006	7.10±0.15	.062±.006	1.57±0.15	.073±.006	1.86±0.15	GOLD 1u" MIN.	1 PC 73366-0061 PER BAG
73366-0068	.280±.006	7.10±0.15	.062±.006	1.57±0.15	.073±.006	1.86±0.15	NICKEL 70u" MIN.	73366-0060 SMALL TRAY
73366-0067	.280±.006	7.10±0.15	.062±.006	1.57±0.15	.073±.006	1.86±0.15	NICKEL 70u" MIN.	1 PC 73366-0060 PER BAG
73366-0066	.236±.006	5.99±0.15	.019±.006	0.50±0.15	.031±.006	0.80±0.15	GOLD 1u" MIN.	73366-0065 TAPE & REEL
73366-0065	.236±.006	5.99±0.15	.019±.006	0.50±0.15	.031±.006	0.80±0.15	GOLD 1u" MIN.	TRAY
73366-0064	.236±.006	5.99±0.15	.019±.006	0.50±0.15	.031±.006	0.80±0.15	NICKEL 70u" MIN.	73366-0063 TAPE & REEL
73366-0063	.236±.006	5.99±0.15	.019±.006	0.50±0.15	.031±.006	0.80±0.15	NICKEL 70u" MIN.	TRAY
73366-0062	.280±.006	7.10±0.15	.062±.006	1.57±0.15	.073±.006	1.86±0.15	NICKEL 70u" MIN.	73366-0060 TAPE & REEL
73366-0061	.280±.006	7.10±0.15	.062±.006	1.57±0.15	.073±.006	1.86±0.15	GOLD 1u" MIN.	TRAY
73366-0060	.280±.006	7.10±0.15	.062±.006	1.57±0.15	.073±.006	1.86±0.15	NICKEL 70u" MIN.	TRAY
PART NO.	IN	MM	IN	MM	IN	MM	PLATING	CONTACT PLATING & PACKAGE
DIM (X)	DIM A		DIM B		DIM C		BODY	



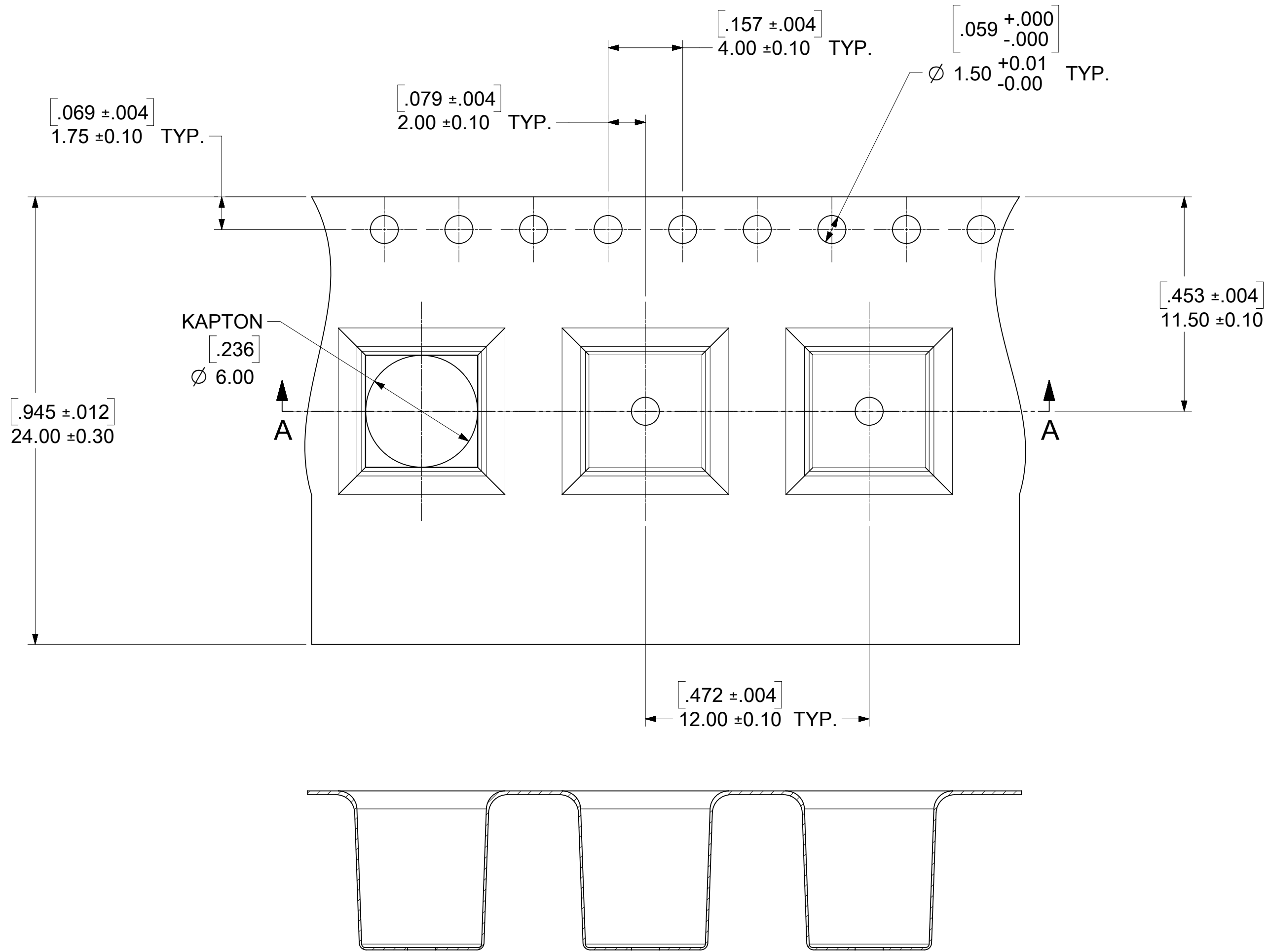
SUGGESTED PCB LAYOUT

PS-73598-0132	ELECTRO /MECH PERFORM.
SPECIFICATION	DESCRIPTION

<b>FUNCTIONAL SYMBOLS</b> $\frac{E}{A} = 0$ $\frac{E}{C} = 0$ $\frac{E}{P} = 0$	THIS DRAWING CONTAINS INFORMATION THAT IS PROPRIETARY TO MOLEX ELECTRONIC TECHNOLOGIES, LLC AND SHOULD NOT BE USED WITHOUT WRITTEN PERMISSION		CURRENT REV DESC:		
	<b>DIMENSION UNITS</b> MM/INCH	<b>SCALE</b> NTS	EWR # 15425-A ADDED TRAY PACKING DRAWING		
<b>GENERAL TOLERANCES (UNLESS SPECIFIED)</b> ANGULAR TOL ± 2.0°		4 PLACES ± 3 PLACES ± 2 PLACES ± 1 PLACE ± 0 PLACES ±		2022/09/07 2022/09/13 2022/09/13	PRODUCT CUSTOMER DRAWING
<b>DIVISIONAL SYMBOLS</b> DRAFT WHERE APPLICABLE MUST REMAIN WITHIN DIMENSIONS		THIRD ANGLE PROJECTION		INITIAL REVISION: DRWN: JTSAO APPR: MISEN	DOCUMENT NUMBER <b>SD-73366-006</b>
		DRAWING <b>C-SIZE</b>	SERIES <b>73366</b>	MATERIAL NUMBER SEE TABLE	CUSTOMER GENERAL MARKET
				SHEET NUMBER 1 OF 5	DOC TYPE PSD
				DOC PART 001	REVISION C3

DOCUMENT STATUS	P1	RELEASE DATE	2022/09/13	09:16:28

NOTE:  
 1. TAPE AND REEL PACKAGE  
 2. 10 PITCHES CUMULATIVE TOLERANCE ±0.20(.008)



FUNCTIONAL SYMBOLS	THIS DRAWING CONTAINS INFORMATION THAT IS PROPRIETARY TO MOLEX ELECTRONIC TECHNOLOGIES, LLC AND SHOULD NOT BE USED WITHOUT WRITTEN PERMISSION									
	DIMENSION UNITS	SCALE	CURRENT REV DESC:							
$\frac{F}{A} = 0$	MM/INCH	NTS	EWR # 15425-A ADDED TRAY PACKING DRAWING							
$\frac{E}{C} = 0$	GENERAL TOLERANCES (UNLESS SPECIFIED)		EC NO: 720553							
$\frac{E}{P} = 0$	ANGULAR TOL ± 2.0°		DRWN: JSU18 2022/09/07							
DIVISIONAL SYMBOLS	4 PLACES ±		CHK'D: YCHENG 2022/09/13							
	3 PLACES ±		APPR: YCHENG 2022/09/13							
	2 PLACES ±		INITIAL REVISION:							
	1 PLACE ±		DRWN: JTSAO 2006/04/20							
0 PLACES ±		APPR: MISEN 2001/03/01								
DRAFT WHERE APPLICABLE MUST REMAIN WITHIN DIMENSIONS			THIRD ANGLE PROJECTION	DRAWING	SERIES	MATERIAL NUMBER	CUSTOMER	SHEET NUMBER		
				C-SIZE	73366	SEE TABLE	GENERAL MARKET	PSD	001	C3

**molex**

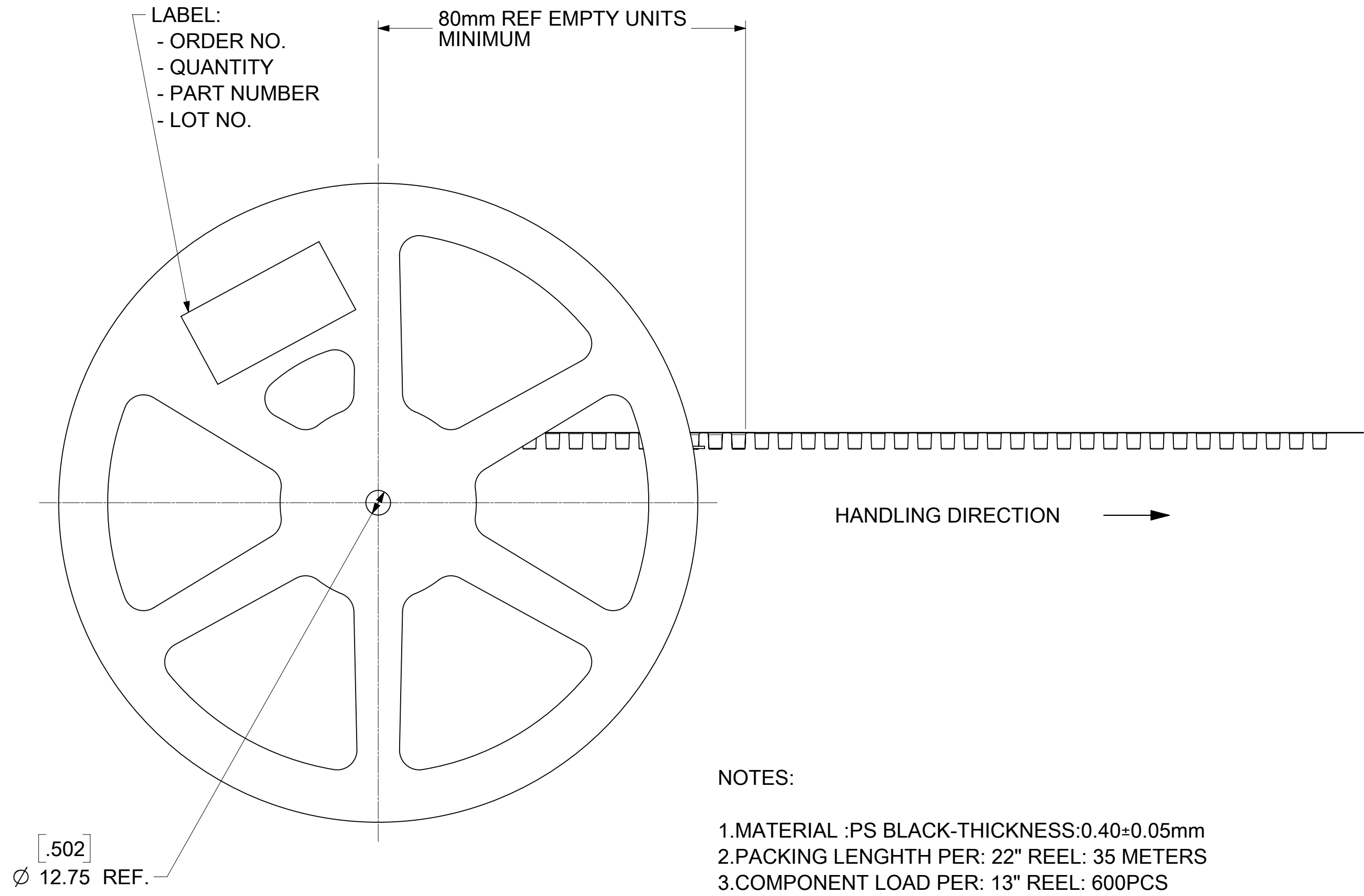
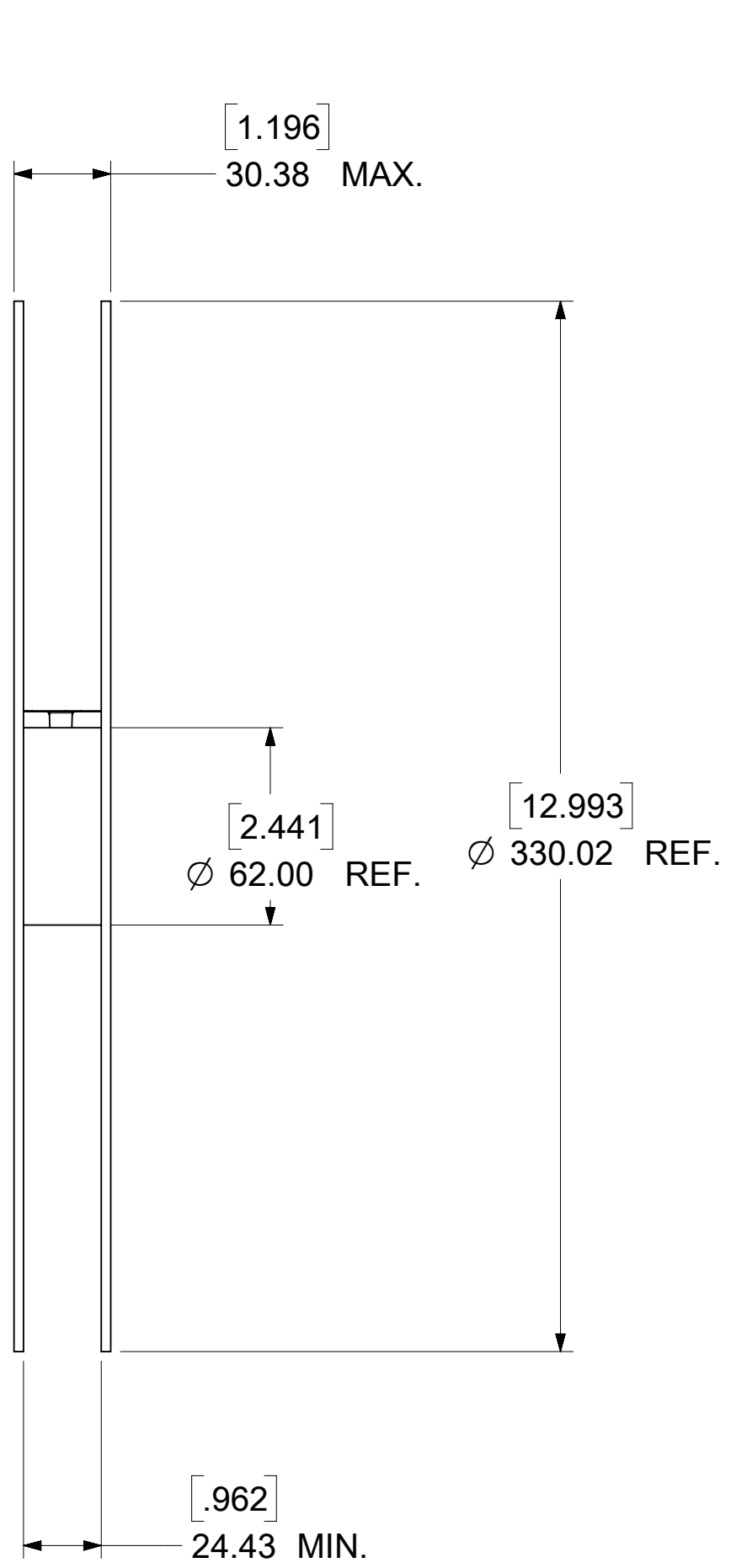
MCX JACK VERT PCB TH  
 50 OHMS MCX-J/PCB EWR-3263

PRODUCT CUSTOMER DRAWING

SD-73366-006

DOC TYPE DOC PART REVISION  
 PSD 001 C3

DOCUMENT STATUS P1 RELEASE DATE 2022/09/13 09:16:28

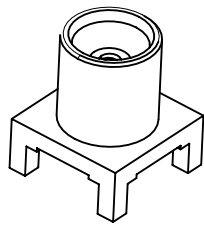


- NOTES:
- 1.MATERIAL :PS BLACK-THICKNESS:0.40±0.05mm
  - 2.PACKING LENGTH PER: 22" REEL: 35 METERS
  - 3.COMPONENT LOAD PER: 13" REEL: 600PCS

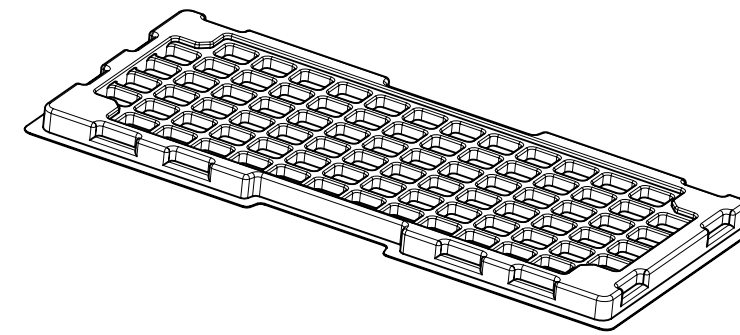
PACKING SPECIFICATION:

-----	QUANTITY	SIZE	REMARK
1 EMBOSSED TAPE	600/3000	PER SHEET 2	PER ONE 13" REEL
1 REEL	5/3000	PER SHEET 3	-----
2 INNER CARTON BOX	1/3000	336X336X182 (MM)	1 BOX = 5 REEL = 3000EA
3 OUTER CARTON BOX	1/3000	385X367X206 (MM)	-----

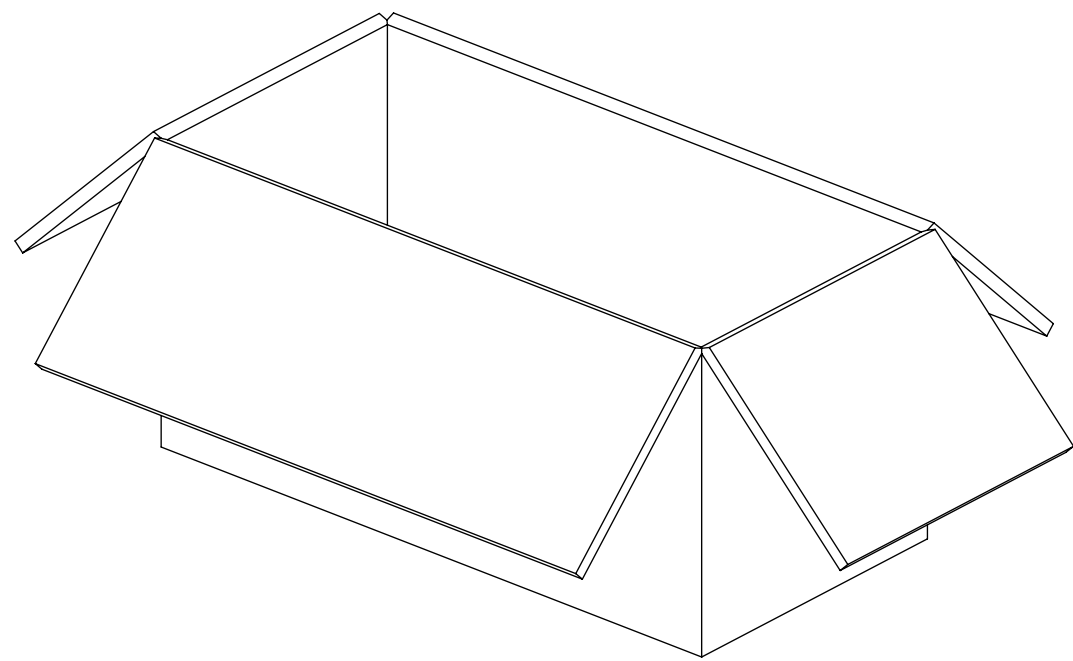
THIS DRAWING CONTAINS INFORMATION THAT IS PROPRIETARY TO MOLEX ELECTRONIC TECHNOLOGIES, LLC AND SHOULD NOT BE USED WITHOUT WRITTEN PERMISSION												
FUNCTIONAL SYMBOLS	DIMENSION UNITS	SCALE	CURRENT REV DESC:									
$\frac{F}{A} = 0$	MM/INCH	NTS	EWR # 15425-A ADDED TRAY PACKING DRAWING									
$\frac{E}{C} = 0$	GENERAL TOLERANCES (UNLESS SPECIFIED)		EC NO: 720553									
$\frac{E}{P} = 0$	ANGULAR TOL ± 2.0°		4 PLACES ±			2022/09/07			DRWN: JSU18			
DIVISIONAL SYMBOLS	3 PLACES ±		2022/09/13			CHK'D: YCHENG			2022/09/13			
	2 PLACES ±		2022/09/13			APPR: YCHENG			2022/09/13			
	1 PLACE ±		INITIAL REVISION:			2006/04/20			DOCUMENT NUMBER			
	0 PLACES ±		DRWN: JTSAO			2001/03/01			SD-73366-006			
	DRAFT WHERE APPLICABLE MUST REMAIN WITHIN DIMENSIONS		THIRD ANGLE PROJECTION		DRAWING		SERIES		MATERIAL NUMBER		CUSTOMER	
			C-SIZE		73366		SEE TABLE		GENERAL MARKET		SHEET NUMBER	
									PSD 001		C3	
											3 OF 5	



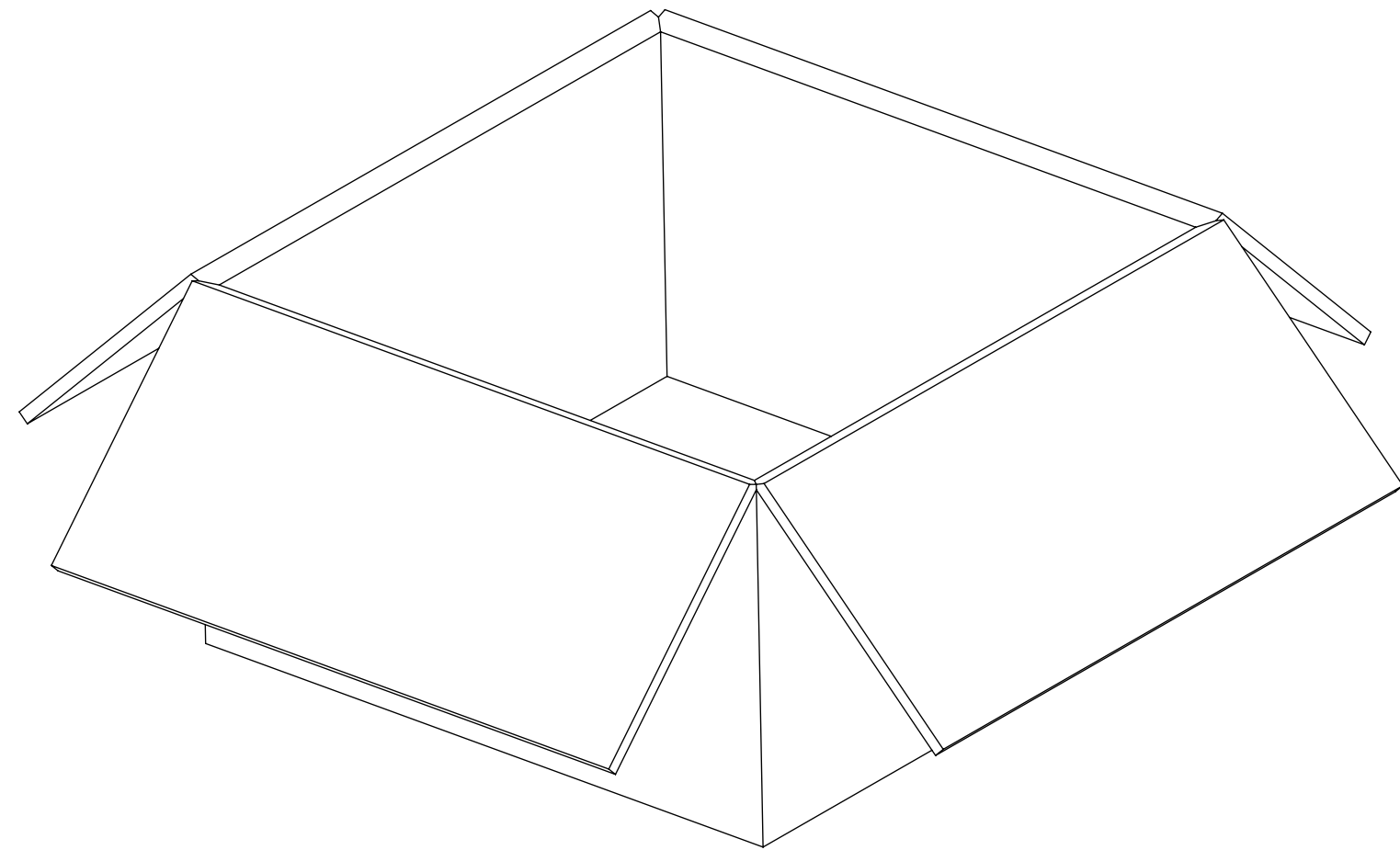
PART NO : 73366-0060  
 PART NO : 73366-0061  
 PART NO : 73366-0063  
 PART NO : 73366-0065  
 PART NO : 73366-6190



80 SET PER TRAY  
 P/N: 89707-0190



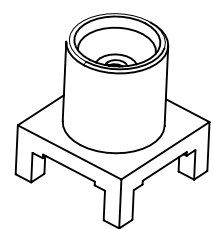
1600 SET PER INNER CARTON BOX  
 P/N: 96707-0001  
 L371mm X W184mm X D192mm



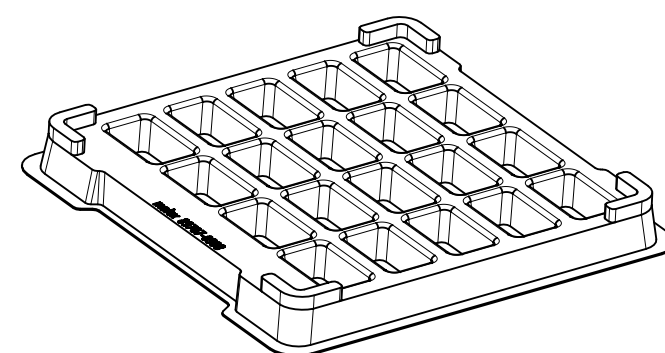
3200 SET PER OUTER CARTON BOX  
 P/N: 96708-0005  
 L394mm X W391mm X D212mm

FUNCTIONAL SYMBOLS	THIS DRAWING CONTAINS INFORMATION THAT IS PROPRIETARY TO MOLEX ELECTRONIC TECHNOLOGIES, LLC AND SHOULD NOT BE USED WITHOUT WRITTEN PERMISSION												
	DIMENSION UNITS	SCALE	CURRENT REV DESC:										
$\frac{F}{A} = 0$	MM/INCH	NTS	EWR # 15425-A ADDED TRAY PACKING DRAWING										
$\frac{E}{C} = 0$	GENERAL TOLERANCES (UNLESS SPECIFIED)		EC NO: 720553								MCX JACK VERT PCB TH 50 OHMS MCX-J/PCB EWR-3263		
$\frac{E}{P} = 0$	ANGULAR TOL $\pm 2.0^\circ$		DRWN: JSU18 2022/09/07										
DIVISIONAL SYMBOLS	4 PLACES $\pm$		CHK'D: YCHENG 2022/09/13								PRODUCT CUSTOMER DRAWING		
	3 PLACES $\pm$		APPR: YCHENG 2022/09/13										
	2 PLACES $\pm$		INITIAL REVISION:										
	1 PLACE $\pm$		DRWN: JTSAO 2006/04/20										
0 PLACES $\pm$		APPR: MISEN 2001/03/01								DOCUMENT NUMBER <b>SD-73366-006</b>	DOC TYPE <b>PSD</b>	DOC PART <b>001</b>	REVISION <b>C3</b>
DRAFT WHERE APPLICABLE MUST REMAIN WITHIN DIMENSIONS			THIRD ANGLE PROJECTION	DRAWING	SERIES	MATERIAL NUMBER	CUSTOMER	SHEET NUMBER					
				C-SIZE	73366		GENERAL MARKET	4 OF 5					

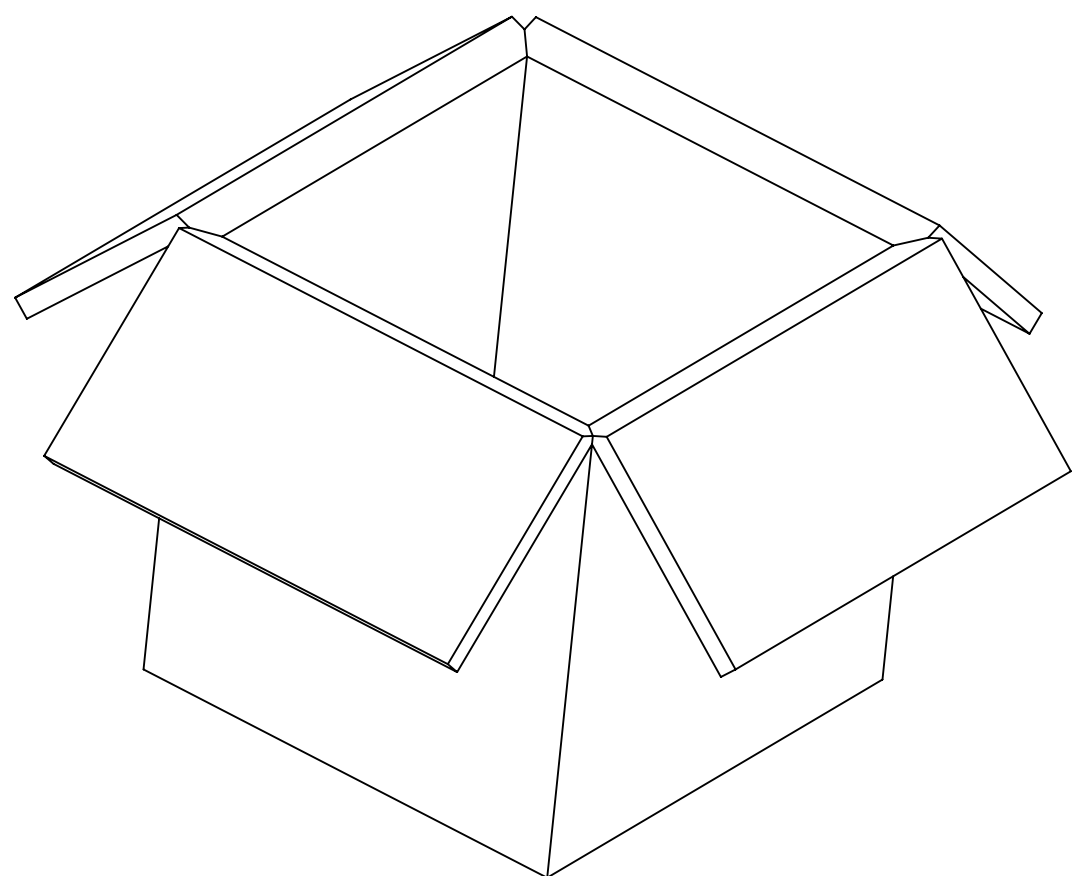
DOCUMENT STATUS	P1	RELEASE DATE	2022/09/13 09:16:28
-----------------	----	--------------	---------------------



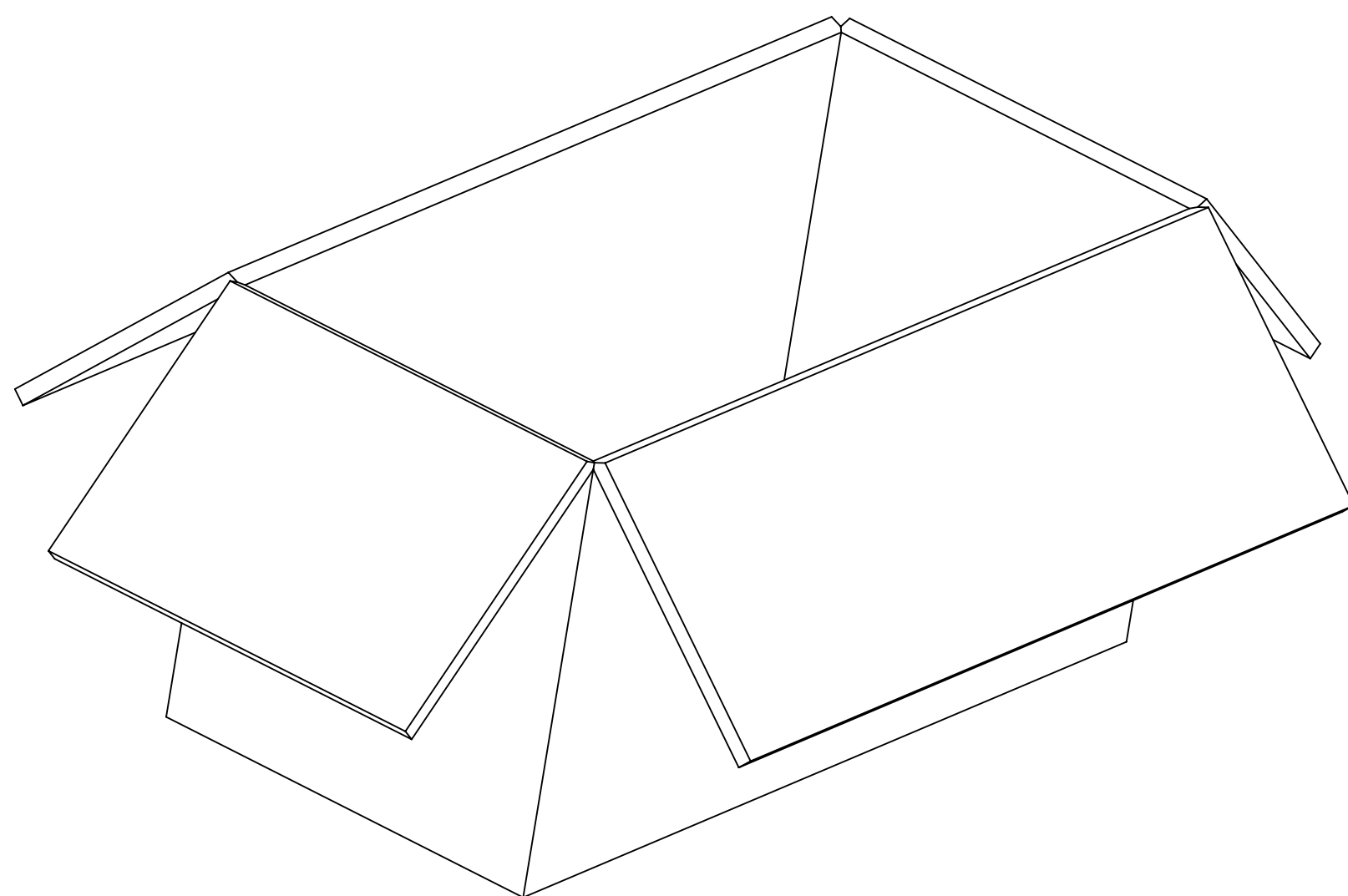
PART NO : 73366-0068



20 SET PER TRAY  
P/N: 89707-0308



200 SET PER INNER CARTON BOX  
P/N: 96707-0005  
L176mm X W173mm X D176mm



400 SET PER OUTER CARTON BOX  
P/N: 96707-0002  
L572mm X W184mm X D192mm

FUNCTIONAL SYMBOLS	THIS DRAWING CONTAINS INFORMATION THAT IS PROPRIETARY TO MOLEX ELECTRONIC TECHNOLOGIES, LLC AND SHOULD NOT BE USED WITHOUT WRITTEN PERMISSION										
	DIMENSION UNITS	SCALE	CURRENT REV DESC:								
$\frac{E}{A} = 0$	MM/INCH	NTS	EWR # 15425-A ADDED TRAY PACKING DRAWING								
$\frac{E}{C} = 0$	GENERAL TOLERANCES (UNLESS SPECIFIED)		EC NO: 720553							MCX JACK VERT PCB TH 50 OHMS MCX-J/PCB EWR-3263	
$\frac{E}{P} = 0$	ANGULAR TOL $\pm 2.0^\circ$		4 PLACES $\pm$				DRWN: JSU18 2022/09/07			PRODUCT CUSTOMER DRAWING	
DIVISIONAL SYMBOLS	3 PLACES $\pm$		CHK'D: YCHENG 2022/09/13				DOCUMENT NUMBER		DOC TYPE	DOC PART	REVISION
	2 PLACES $\pm$		APPR: YCHENG 2022/09/13				SD-73366-006		PSD	001	C3
	1 PLACE $\pm$		INITIAL REVISION:				MATERIAL NUMBER		CUSTOMER		SHEET NUMBER
	0 PLACES $\pm$		DRWN: JTSAO 2006/04/20 APPR: MISEN 2001/03/01				GENERAL MARKET		5 OF 5		
DRAFT WHERE APPLICABLE MUST REMAIN WITHIN DIMENSIONS			THIRD ANGLE PROJECTION		DRAWING	SERIES					
					C-SIZE	73366					

DOCUMENT STATUS	P1	RELEASE DATE	2022/09/13	09:16:28
-----------------	----	--------------	------------	----------

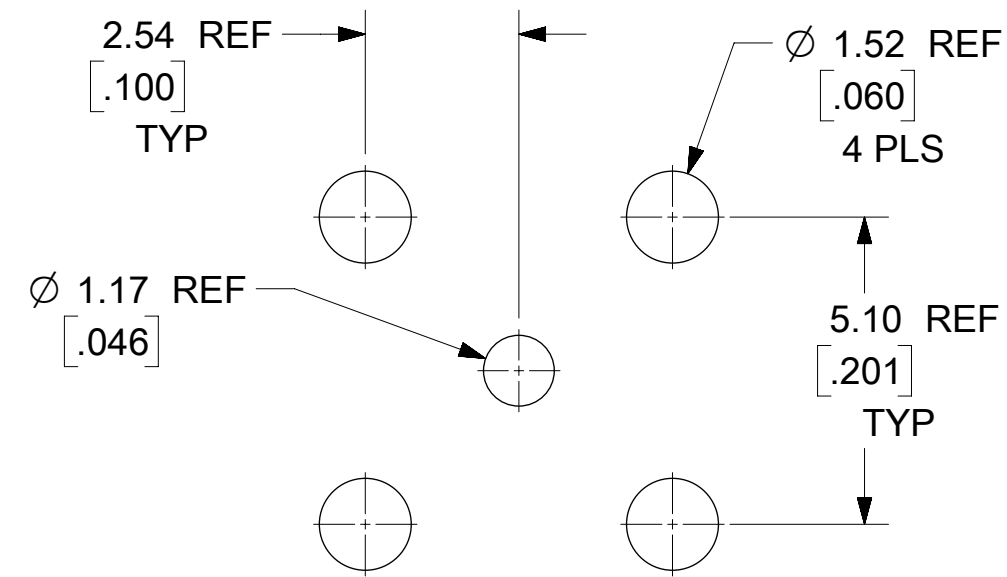
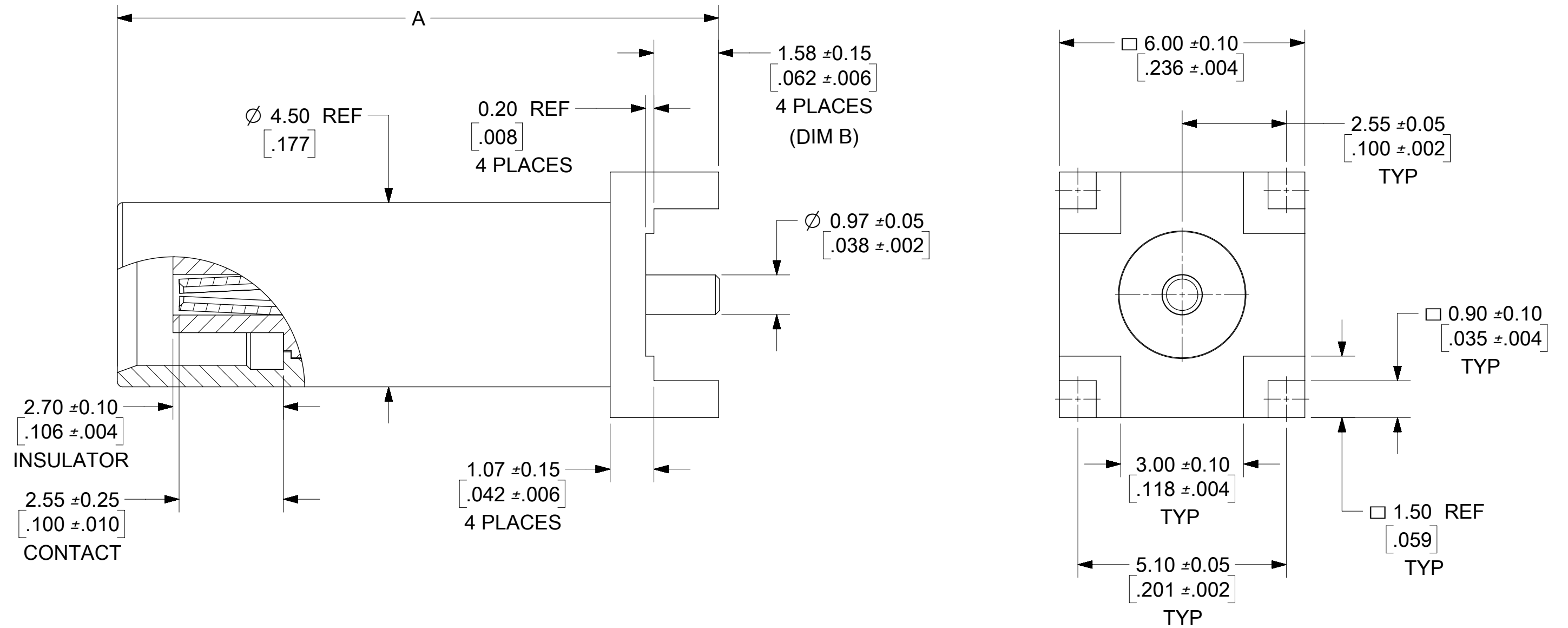
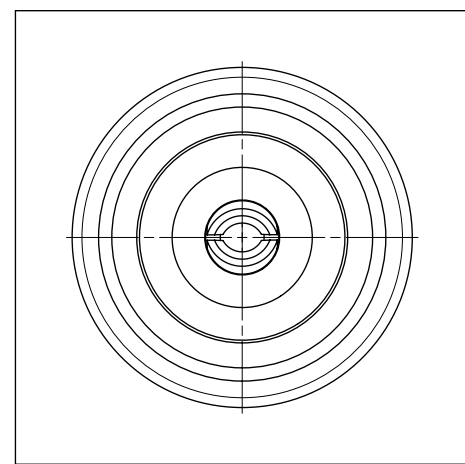
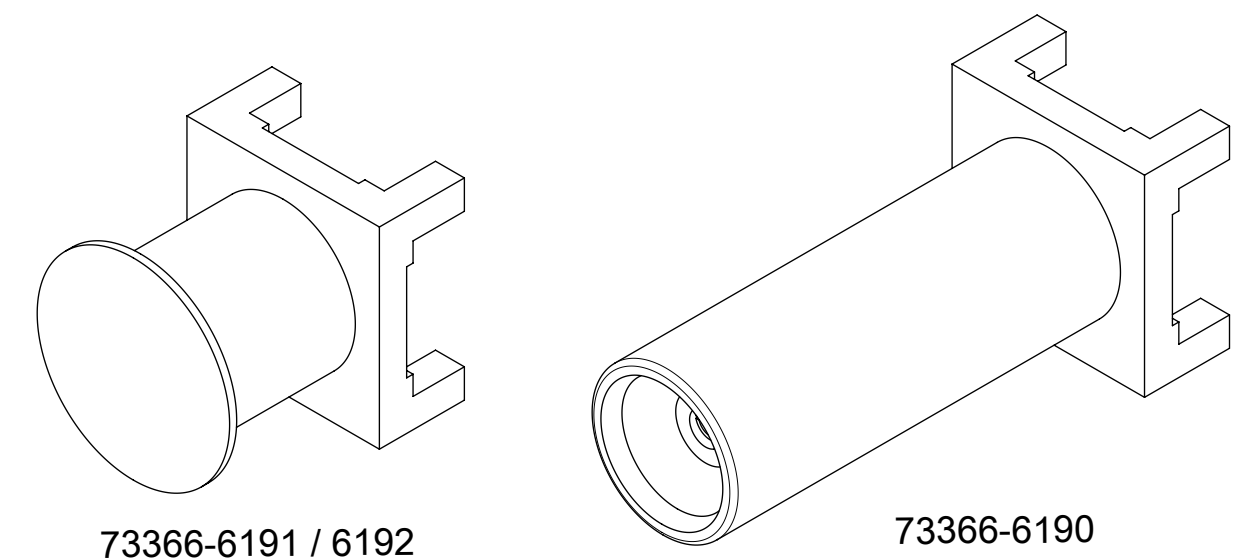
**MATERIALS AND FINISHES:**

BODY: BRASS  
 PLATED: GOLD (1μ-in MIN)  
 OVER NICKEL (50μ-in MIN)

CONTACT: BERYLLIUM COPPER  
 PLATED: SEE TABLE

INSULATOR: PTFE

KAPTON: POLYIMIDE  
 COLOR: BLACK  
 (TAPE & REEL PACKAGE)



RECOMMENDED HOLE LAYOUT

73366-6192	7.10	.280	GOLD (1μ-in MIN) OVER NICKEL (50μ-in MIN)	TAPE & REEL
73366-6191	7.10	.280	GOLD (30μ-in MIN) OVER NICKEL (50μ-in MIN)	73366-0061 TAPE & REEL
73366-6190	14.70	.579	GOLD (10μ-in MIN) OVER NICKEL (100μ-in MIN)	TRAY
PART NO.	MM	IN	PLATING (CONTACT)	PACKAGE
	DIM A (REF)			

NOTE:  
 SEE SD-73366-006 FOR CONTINUATION OF  
 TABULATION AND TAPE & REEL DRAWING

73366-0069	.280±.006	7.10±0.15	.062±.006	1.57±0.15	GOLD 1u" MIN.	1 PC 73366-0061 PER BAG
73366-0068	.280±.006	7.10±0.15	.062±.006	1.57±0.15	NICKEL 70u" MIN.	73366-0060 SMALL TRAY
73366-0067	.280±.006	7.10±0.15	.062±.006	1.57±0.15	NICKEL 70u" MIN.	1 PC 73366-0060 PER BAG
73366-0066	.236±.006	5.99±0.15	.019±.006	0.50±0.15	GOLD 1u" MIN.	73366-0065 TAPE & REEL
73366-0065	.236±.006	5.99±0.15	.019±.006	0.50±0.15	GOLD 1u" MIN.	TRAY
73366-0064	.236±.006	5.99±0.15	.019±.006	0.50±0.15	NICKEL 70u" MIN.	73366-0063 TAPE & REEL
73366-0063	.236±.006	5.99±0.15	.019±.006	0.50±0.15	NICKEL 70u" MIN.	TRAY
73366-0062	.280±.006	7.10±0.15	.062±.006	1.57±0.15	NICKEL 70u" MIN.	73366-0060 TAPE & REEL
73366-0061	.280±.006	7.10±0.15	.062±.006	1.57±0.15	GOLD 1u" MIN.	TRAY
73366-0060	.280±.006	7.10±0.15	.062±.006	1.57±0.15	NICKEL 70u" MIN.	TRAY
PART NO.	IN	MM	IN	MM	PLATING	PACKAGE
DIM (X)	DIM A		DIM B		BODY	

SYMBOLS	THIS DRAWING CONTAINS INFORMATION THAT IS PROPRIETARY TO MOLEX ELECTRONIC TECHNOLOGIES, LLC AND SHOULD NOT BE USED WITHOUT WRITTEN PERMISSION		
	DIMENSION UNITS	SCALE	CURRENT REV DESC: MIGRATED AND REVISED
▽ = 0	HYBRID	NTS	EC NO: 611420 DRWN: CWEI02 2019/02/20 CHK'D: YCHENG 2019/02/20 APPR: YCHENG 2019/02/20 INITIAL REVISION: DRWN: AZR 2009/10/14 APPR: WSPINK 2014/04/10
▽ = 0	GENERAL TOLERANCES (UNLESS SPECIFIED)		
▽ = 0	MM	INCH	
▽ = 0	4 PLACES ±	±	
▽ = 0	3 PLACES ±	± 0.01	
▽ = 0	2 PLACES ±	± 0.25	
▽ = 0	1 PLACE ±	±	
▽ = 0	0 PLACES ±	±	
▽ = 0	ANGULAR TOL	± 2.0°	
▽ = 0	DRAFT WHERE APPLICABLE MUST REMAIN WITHIN DIMENSIONS		
▽ = 0	THIRD ANGLE PROJECTION	DRAWING	SERIES
		C-SIZE	73366
DOCUMENT NUMBER		DOC TYPE	DOC PART
SD-73366-619		PSD	000
MATERIAL NUMBER		CUSTOMER	SHEET NUMBER
SEE TABLE			1 OF 1

**molex**

MCX JACK VERTICAL PCB  
 50 OHMS TH, MCX-J/PCB, EWR-10630

PRODUCT CUSTOMER DRAWING

DOCUMENT NUMBER: SD-73366-619  
 DOC TYPE: PSD  
 DOC PART: 000  
 REVISION: A3

SEE TABLE