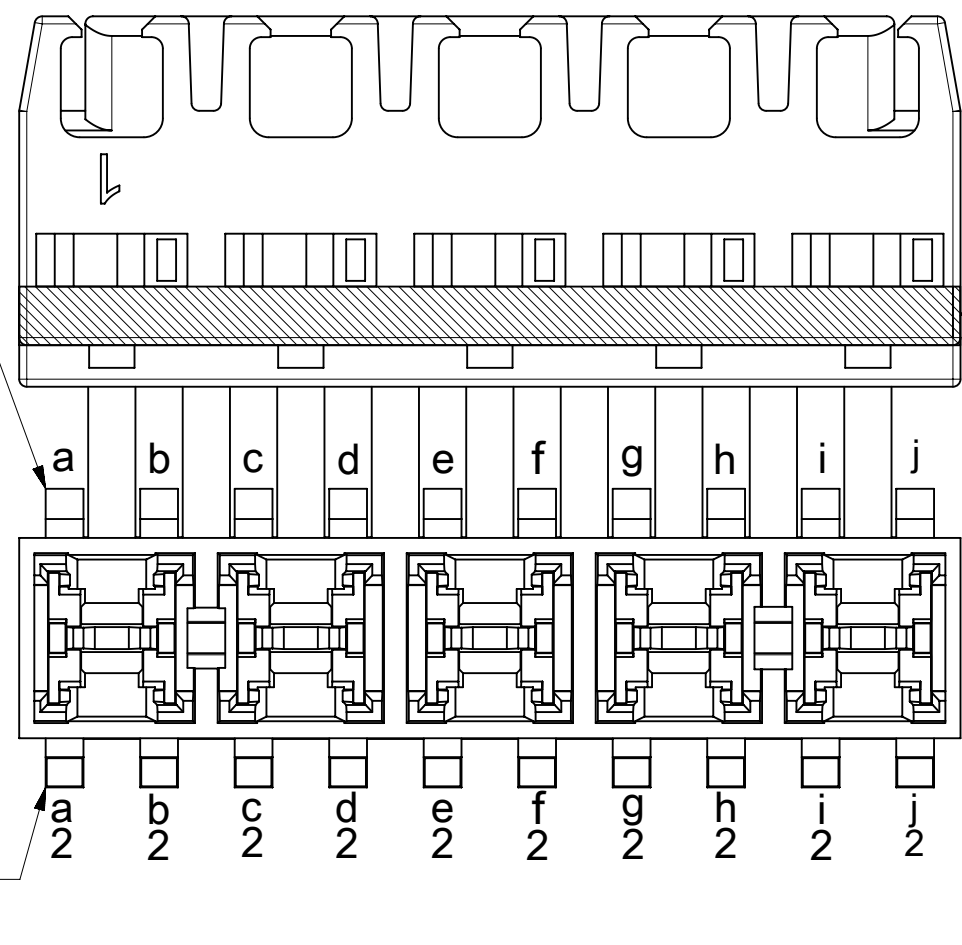
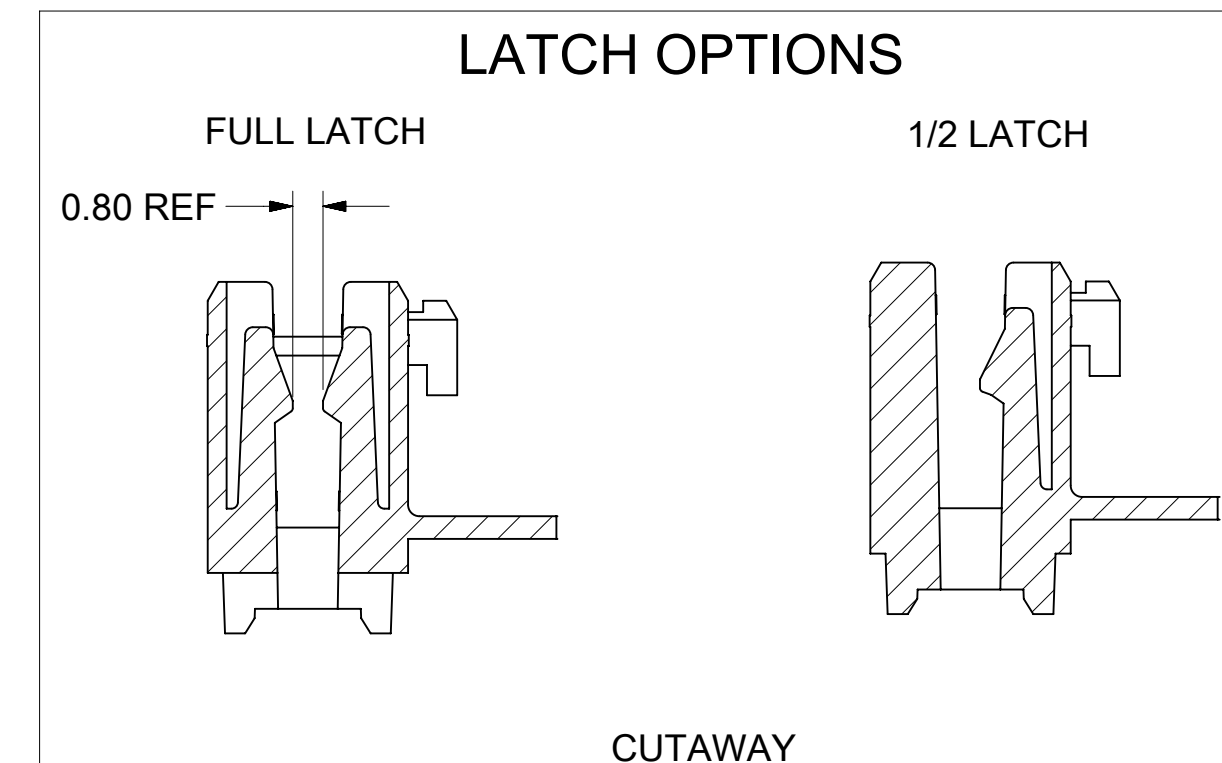
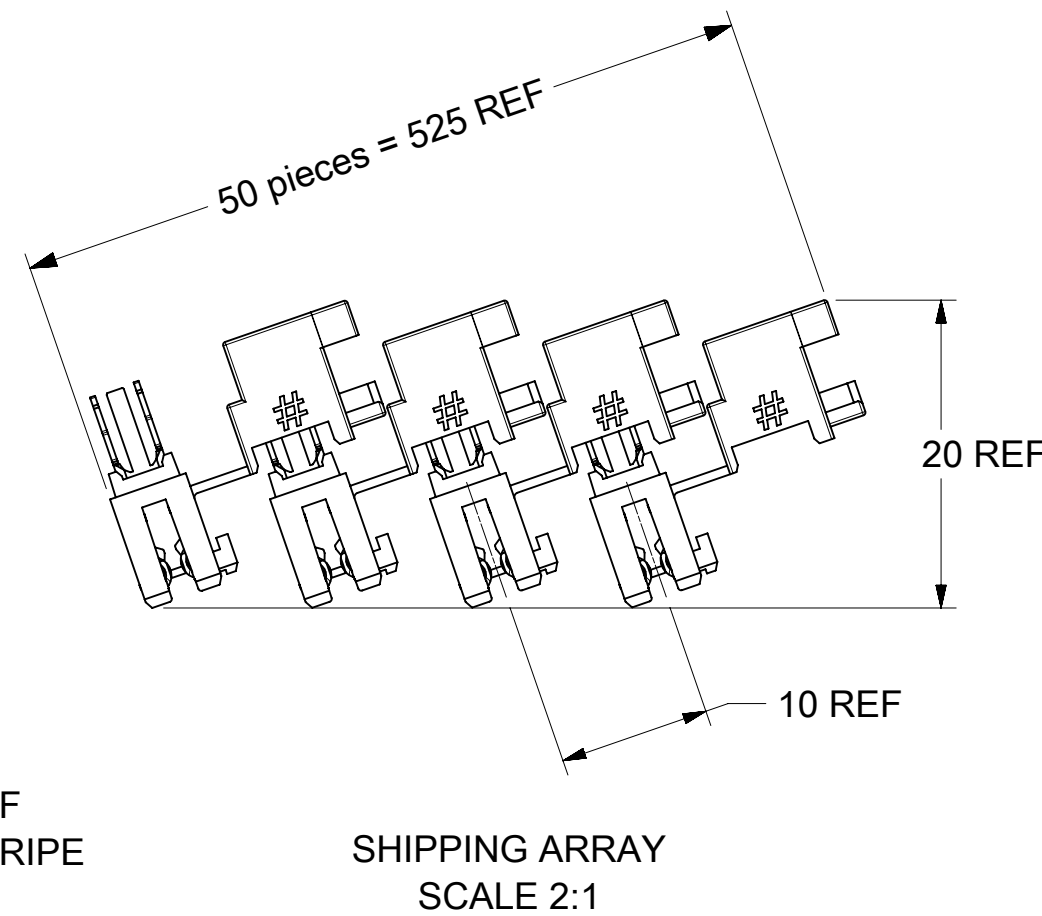
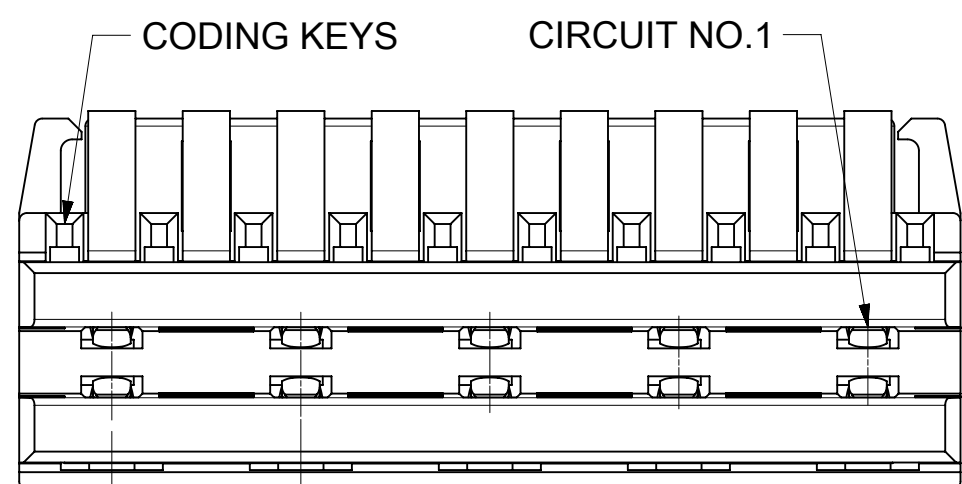


CKT	DIM A	DIM B
2	5	9.9
3	10	14.9
4	15	19.9
5	20	24.9
6	25	29.9
7	30	34.9
8	35	39.9
9	40	44.9
10	45	49.9
11	50	54.9
12	55	59.9

NOTES:

- MATERIAL: HOUSING: PA 6
TERMINAL: COPPER ALLOY
PLATING: SILVER (10A)
- PRODUCT SPECIFICATION: 916270001 PS
- SEE SUBSEQUENT SHEETS FOR PART NUMBERING INFORMATION
- THIS CONNECTOR MATES WITH HEADER ONLY. SEE PRODUCT SPECIFICATION 916270001 PS FOR APPROVED HEADERS
- CABLE:
 - RECOMMENDED CABLE CROSS SECTIONAL AREA = 0.50mm.sq TO 0.75mm.sq
 - MAX CABLE INSULATION DIAMETER = 2.5mm
- PACKAGING SPECIFICATION: 916270001 PK
- APPLICATION SPECIFICATION: 916270001 AS



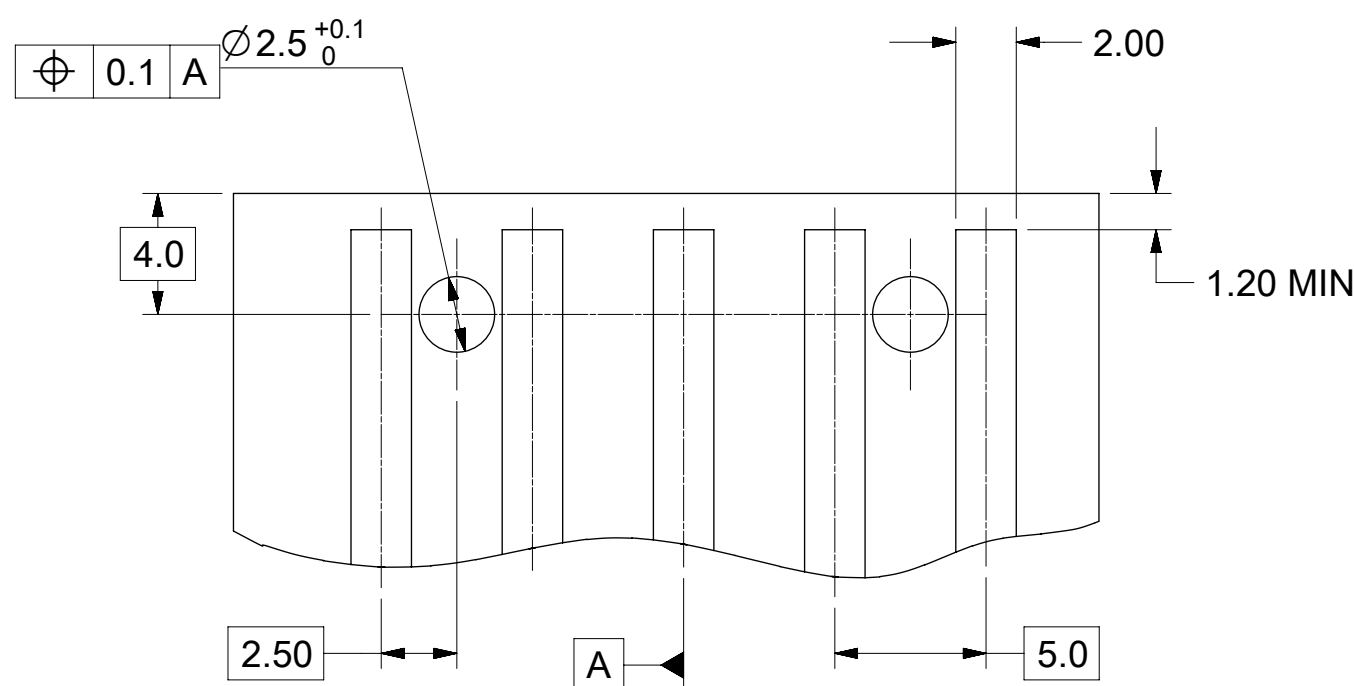
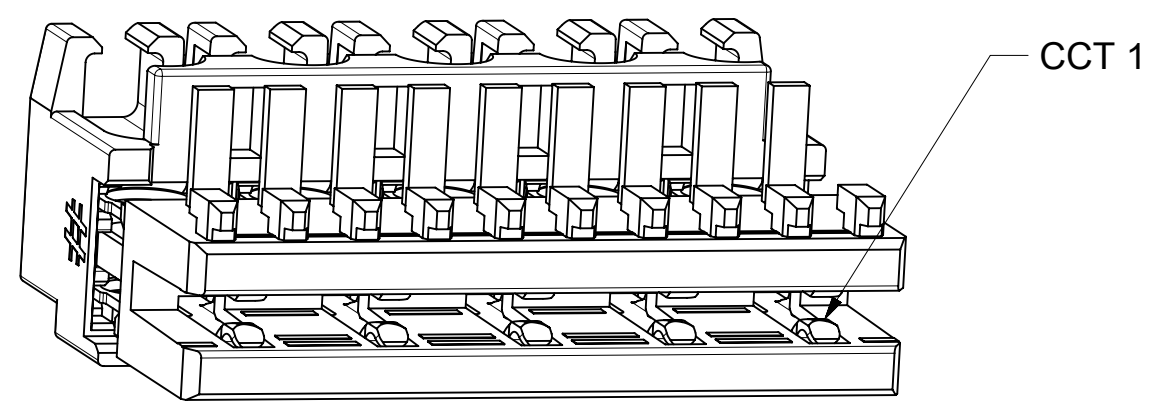
POSITION OF COLOUR STRIPE

SHIPPING ARRAY SCALE 2:1

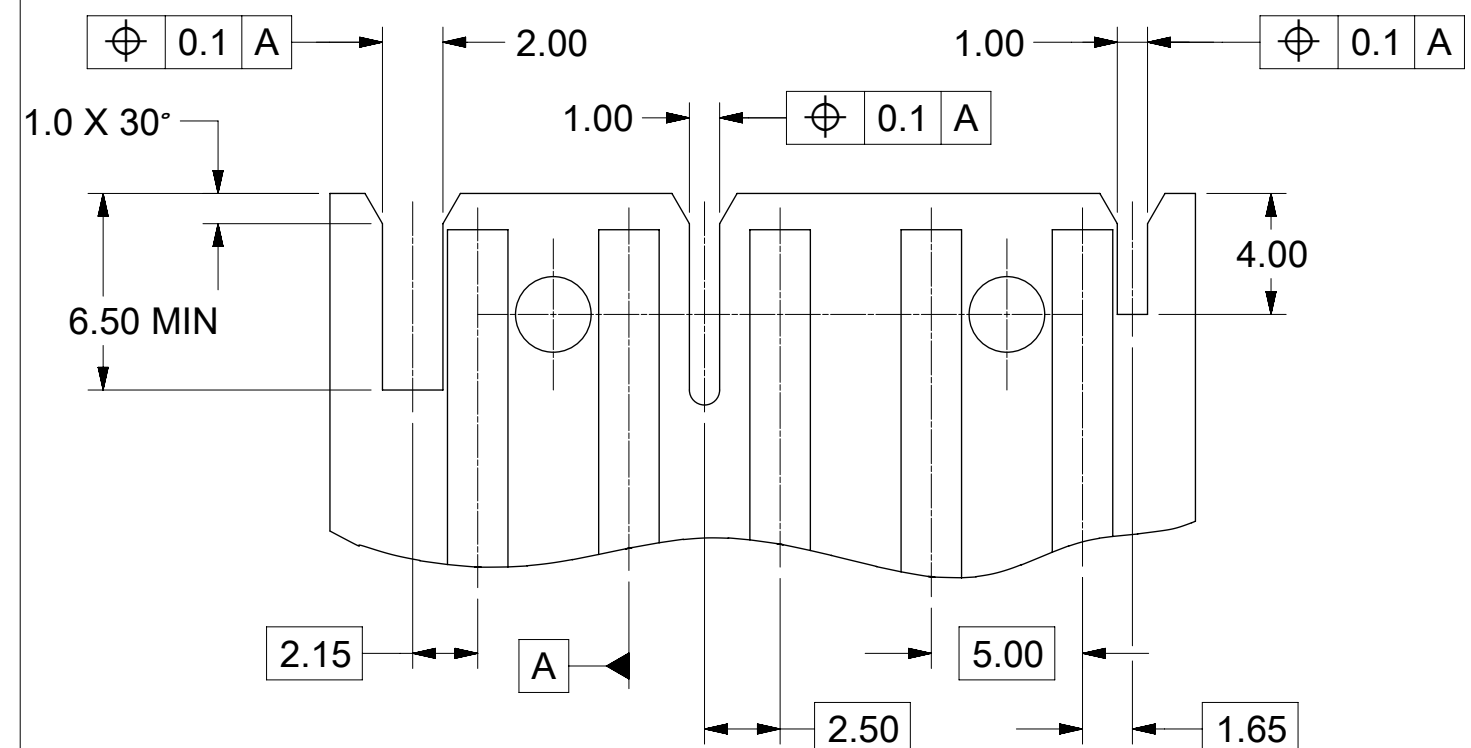
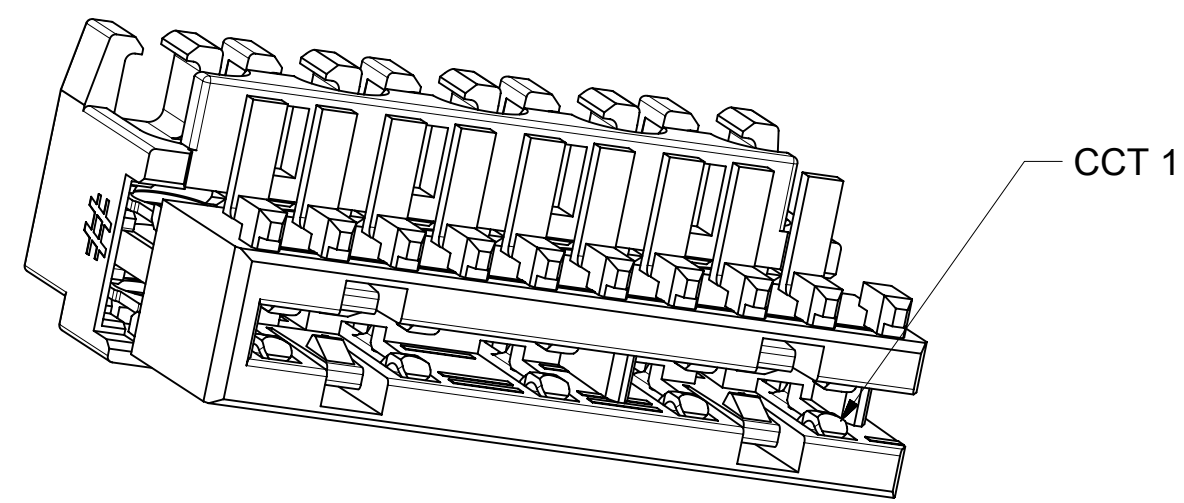
THIS DRAWING CONTAINS INFORMATION THAT IS PROPRIETARY TO MOLEX ELECTRONIC TECHNOLOGIES, LLC AND SHOULD NOT BE USED WITHOUT WRITTEN PERMISSION

DIMENSION UNITS	SCALE	CURRENT REV	DESC: UPDATED ENDWAL
mm	10:1	J,K,L	
GENERAL TOLERANCES (UNLESS SPECIFIED)		EC NO: 614393	
ANGULAR TOL	± 2.0°	DRWN: AKABADI	2019/03/22
4 PLACES	±	CHK'D: TCLEARY	2019/03/28
3 PLACES	± 0.1	APPR: DRYAN	2019/04/15
2 PLACES	± 0.1	INITIAL REVISION:	
1 PLACE	± 0.2	DRWN: AKABADI	2018/01/18
0 PLACES	±	APPR: CMONAHAN	2018/10/15
DRAFT WHERE APPLICABLE MUST REMAIN WITHIN DIMENSIONS	THIRD ANGLE PROJECTION	DRAWING	SERIES
		A2-SIZE	91791

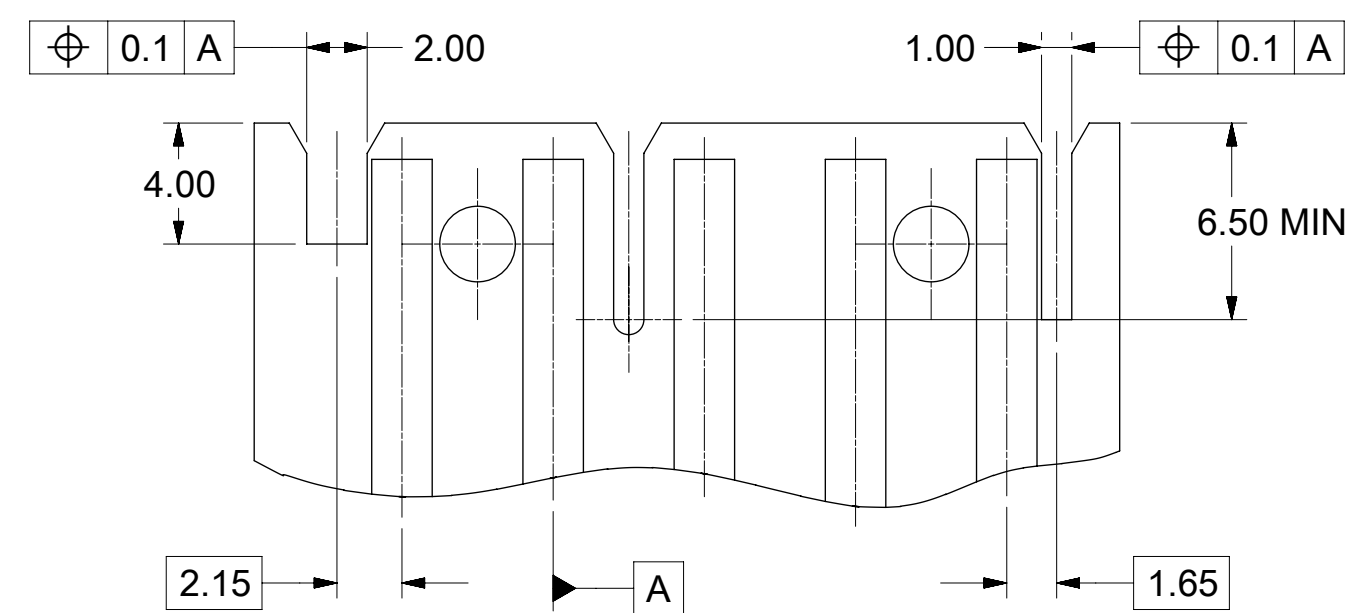
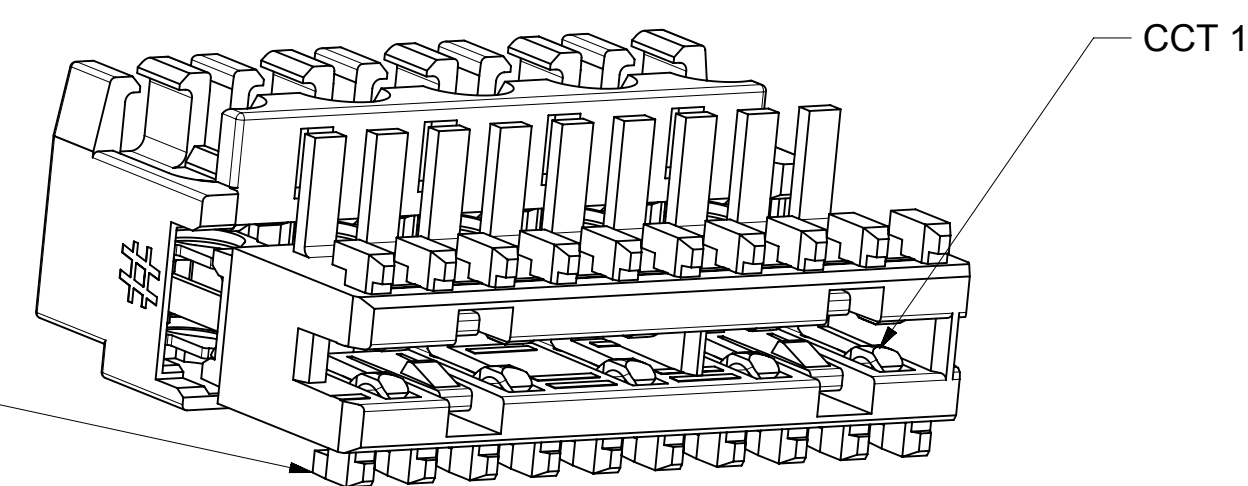
molex			
10A RAST PWR IDT CONN 5MM PTCH			
PRODUCT CUSTOMER DRAWING			
DOCUMENT NUMBER	DOC TYPE	DOC PART	REVISION
917910001	PSD	000	C
MATERIAL NUMBER	CUSTOMER	SHEET NUMBER	
SEE CHARTS	GENERAL MARKET	1 OF 7	



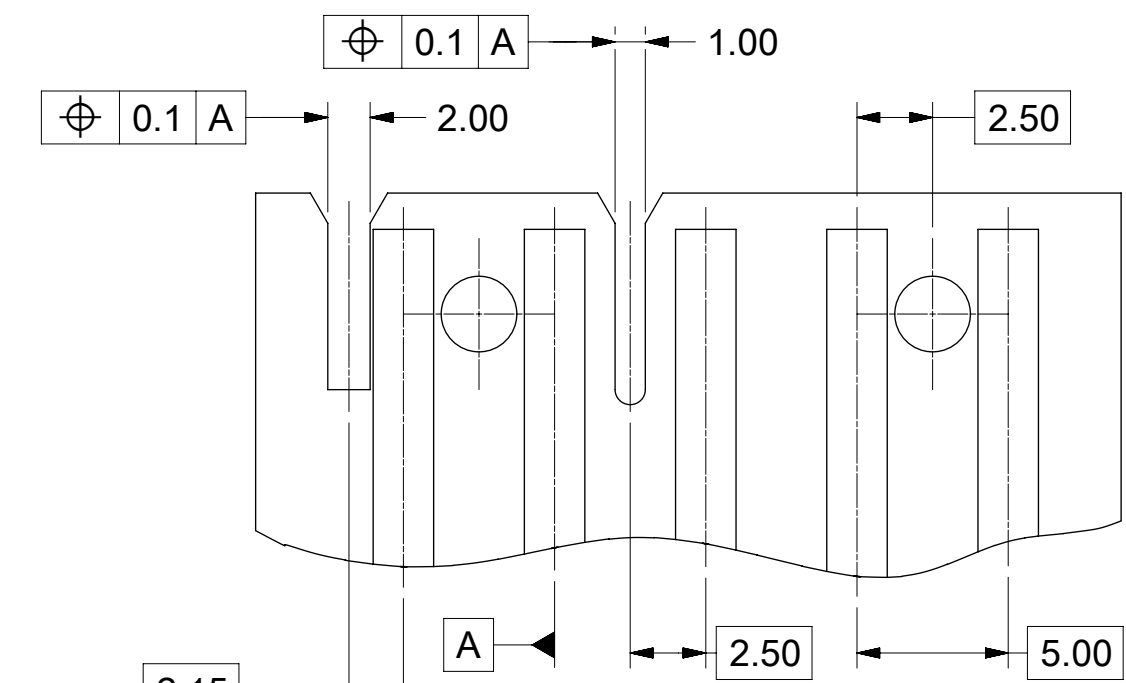
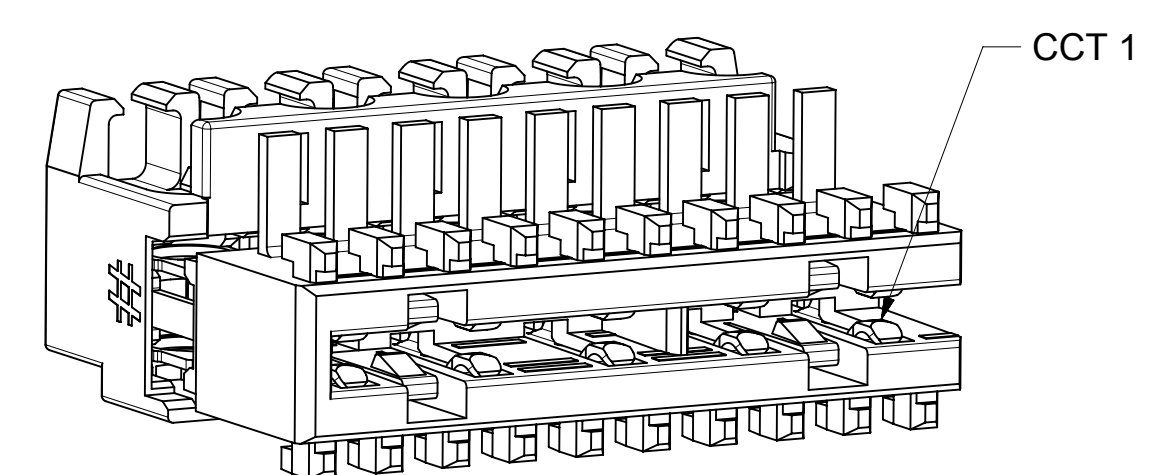
END WALLS OPEN	
FIRST	LAST
OPEN	OPEN



END WALLS A	
FIRST	LAST
SHORT THIN	LONG THICK

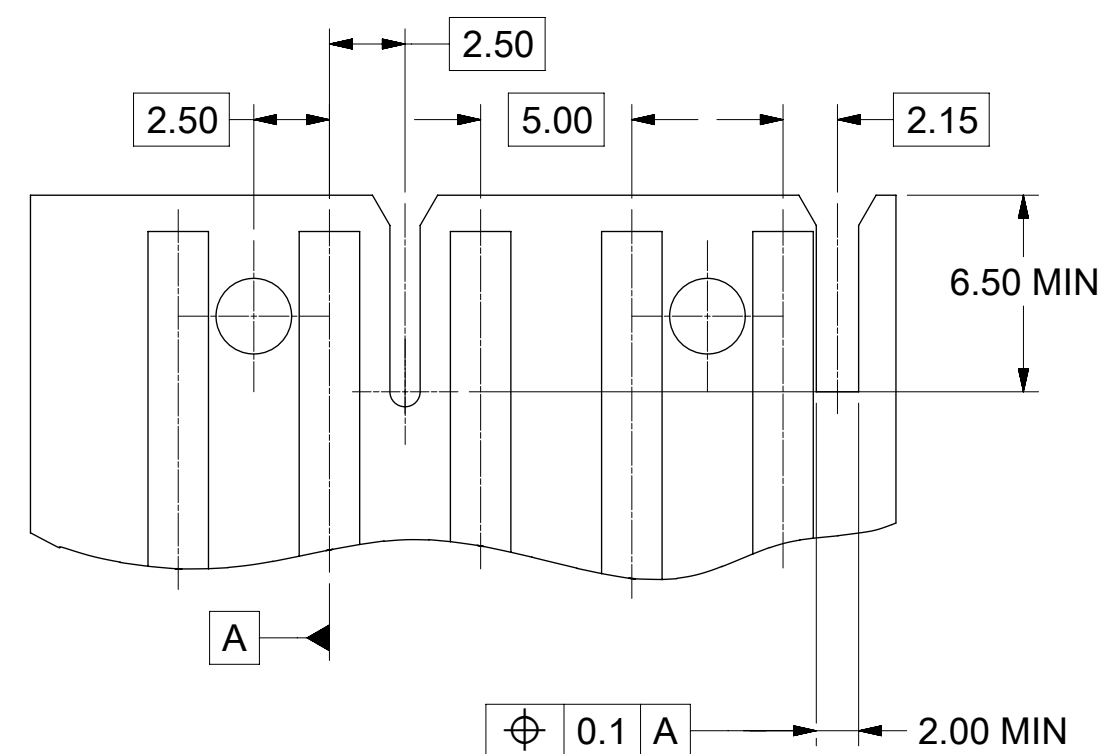
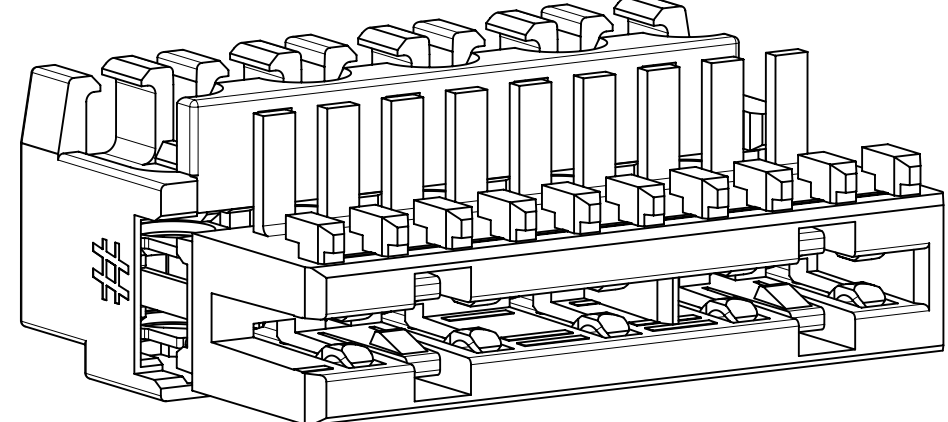


END WALLS B	
FIRST	LAST
LONG THIN	SHORT THICK



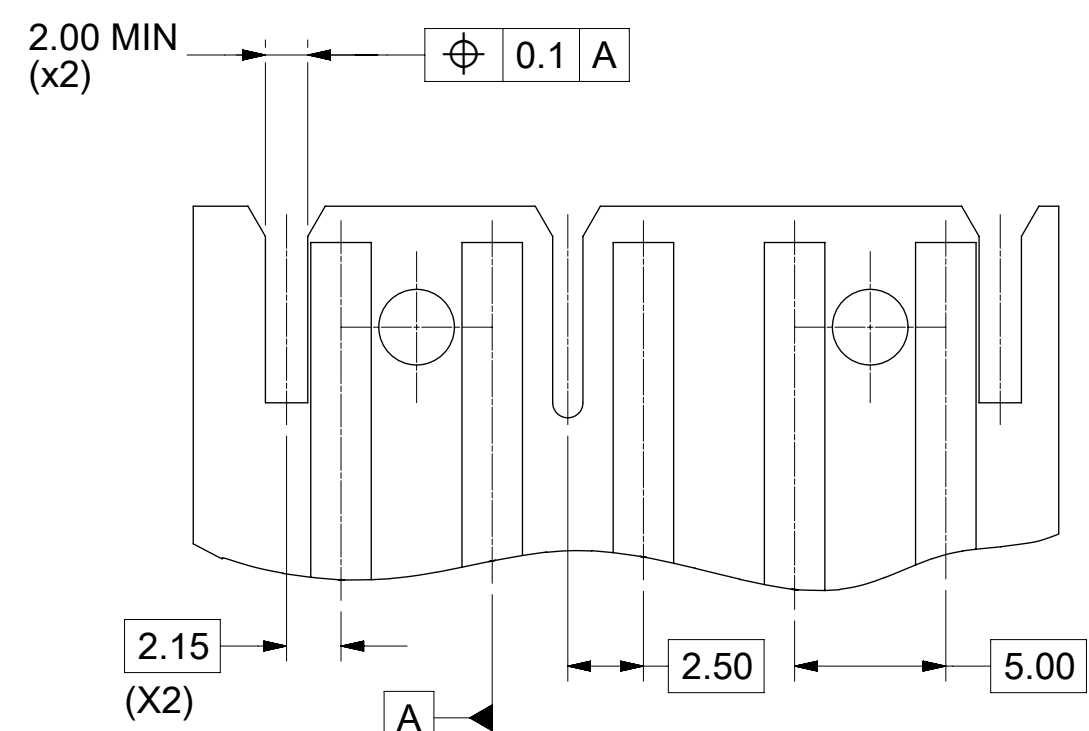
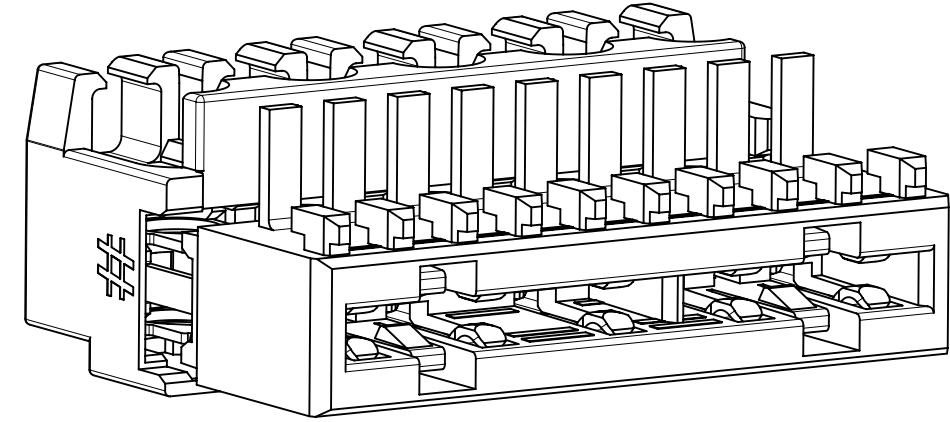
END WALLS C	
FIRST	LAST
OPEN	LONG THICK

1 ROW CODING KEYS OPTION
D END WALLS WITH LATCHES AND
POLARIZING RIBS



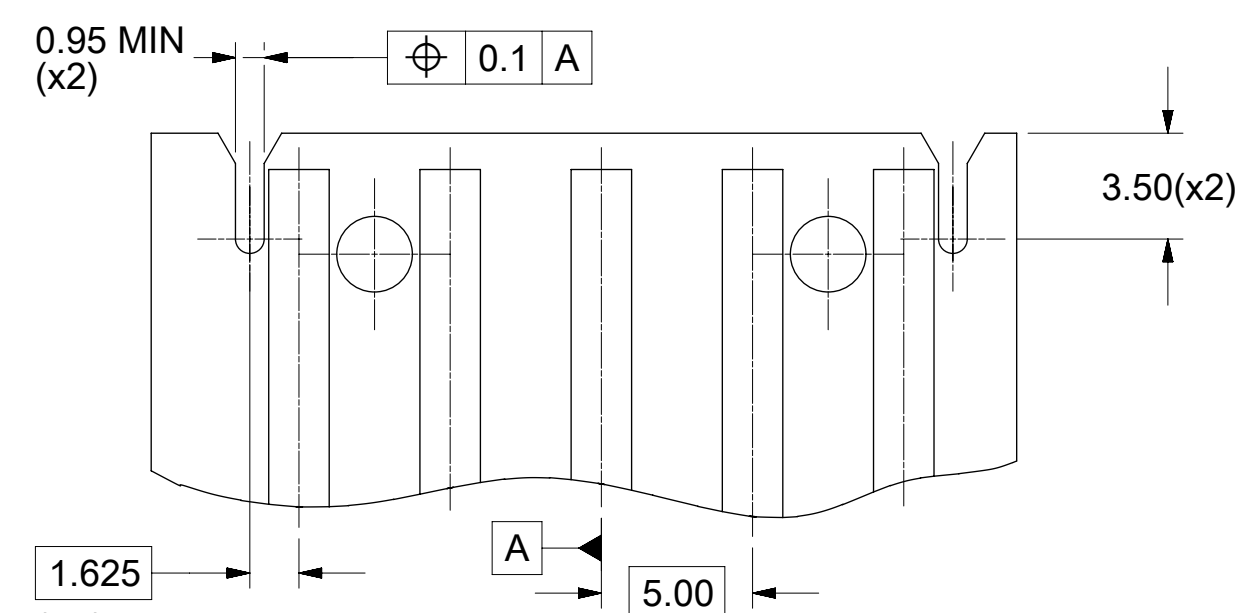
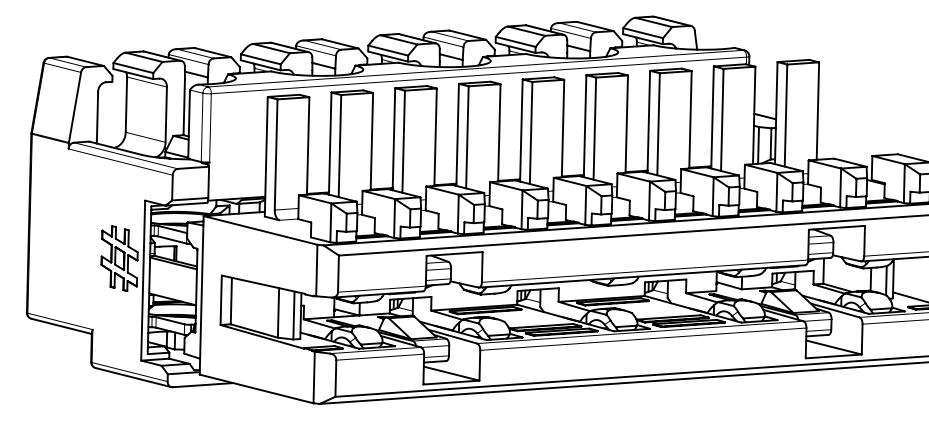
END WALLS D	
FIRST	LAST
LONG THICK	OPEN

1 ROW CODING KEYS OPTION
E END WALLS WITH LATCHES AND
POLARIZING RIBS



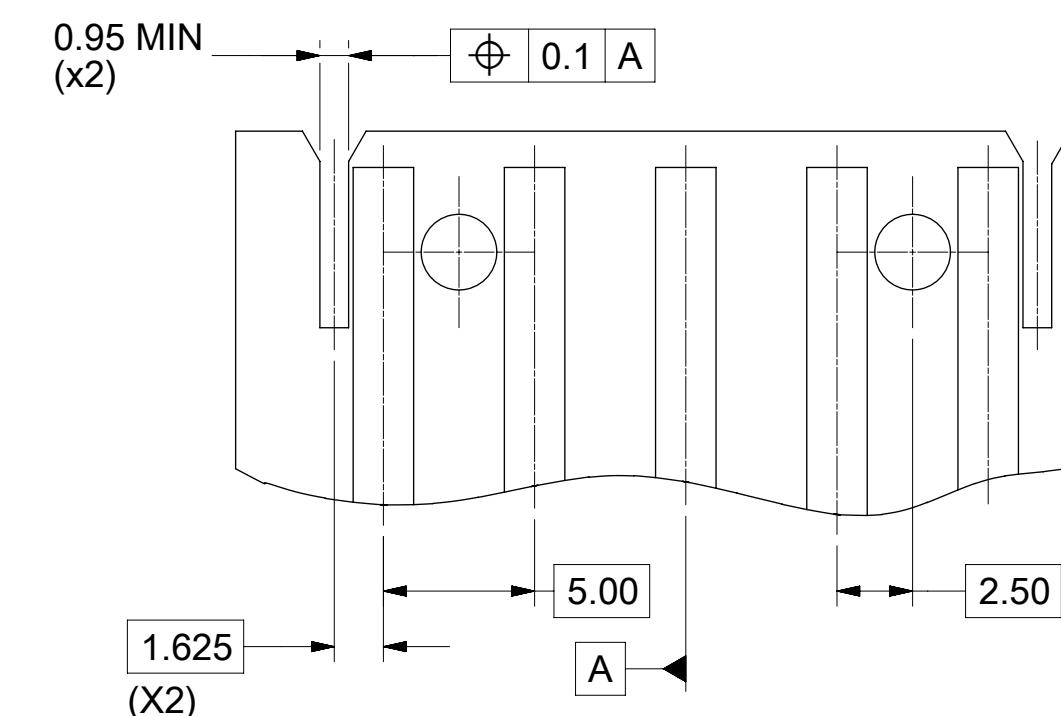
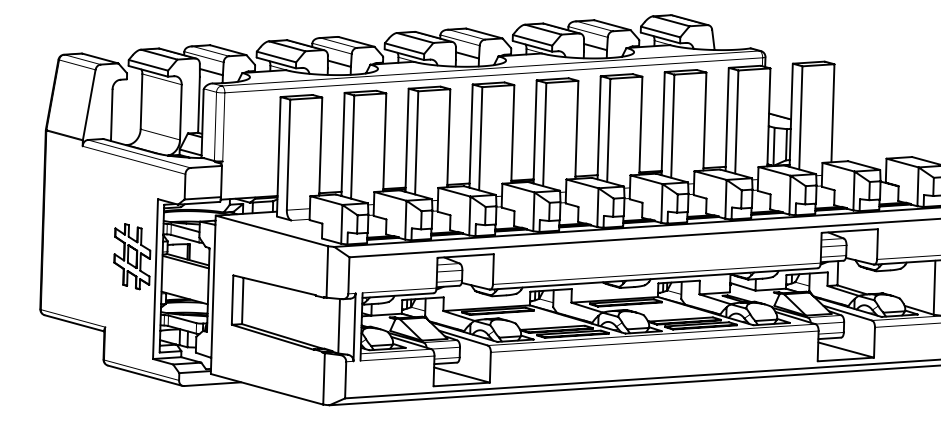
END WALLS E	
FIRST	LAST
LONG THICK	LONG THICK

1 ROW CODING KEYS OPTION
F END WALLS WITH LATCHES



END WALLS F	
FIRST	LAST
SHORT THIN	SHORT THIN

1 ROW CODING KEYS OPTION
G END WALLS WITH LATCHES



END WALLS G	
FIRST	LAST
LONG THIN	LONG THIN

NOTES:

- THERE MAY BE TWO LATCHES WHICH CAN BE POSITIONED BETWEEN CCT ONE AND TWO AND /OR BETWEEN SECOND LAST AND LAST CCT.
2CCT OPTIONS WILL HAVE HALF LATCH ONLY
3CCT OPTIONS WITH 2 LATCHES WILL HAVE HALF LATCH BETWEEN CCTS 1&2 AND FULL LATCH CCTS 2&3
- POLARIZING RIB CAN BE BETWEEN ANY 2 CCT, BUT NOT WHERE A LATCH IS POSITIONED.
- LATCHES NOT RECOMENDED WHEN MATING TO STANDARD HEADERS.

THIS DRAWING CONTAINS INFORMATION THAT IS PROPRIETARY TO MOLEX ELECTRONIC TECHNOLOGIES, LLC AND SHOULD NOT BE USED WITHOUT WRITTEN PERMISSION

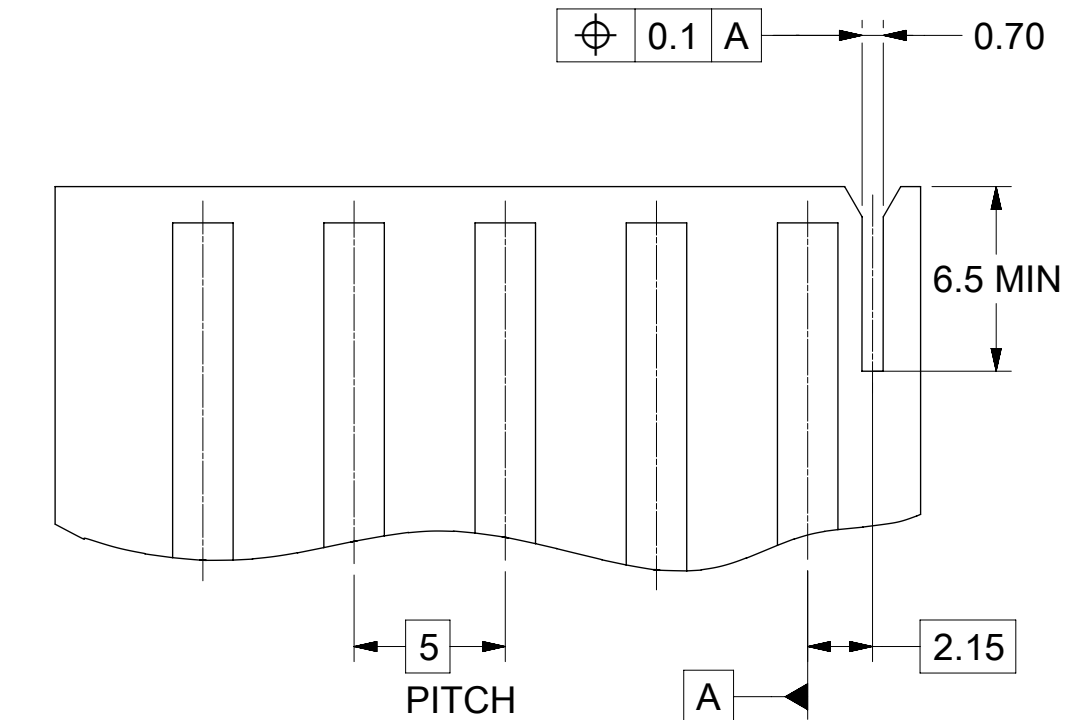
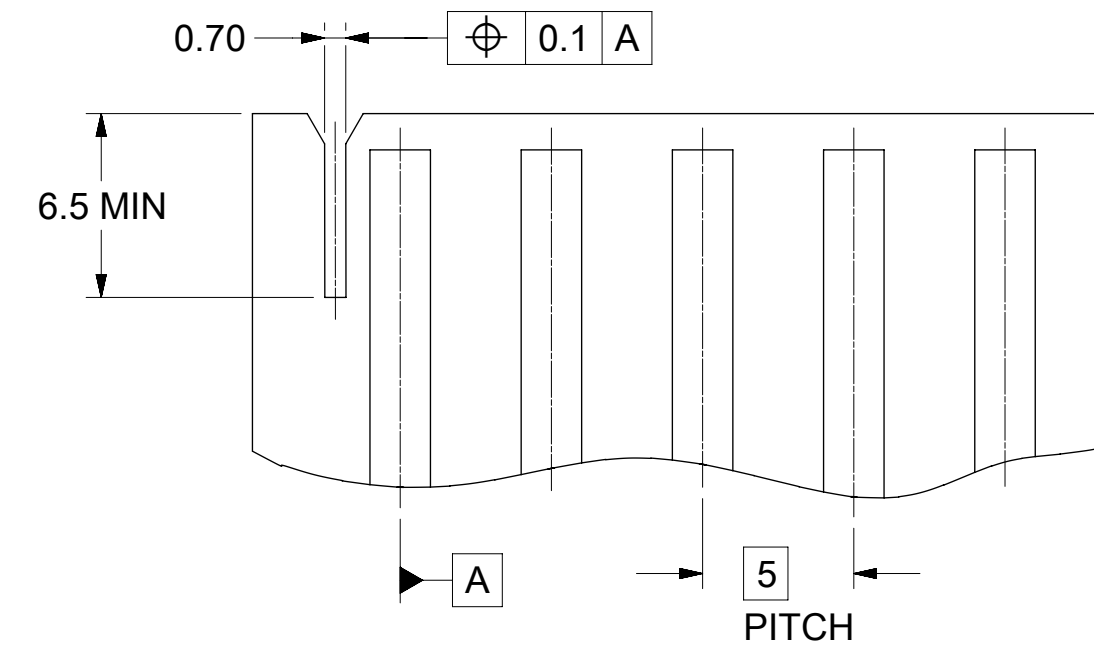
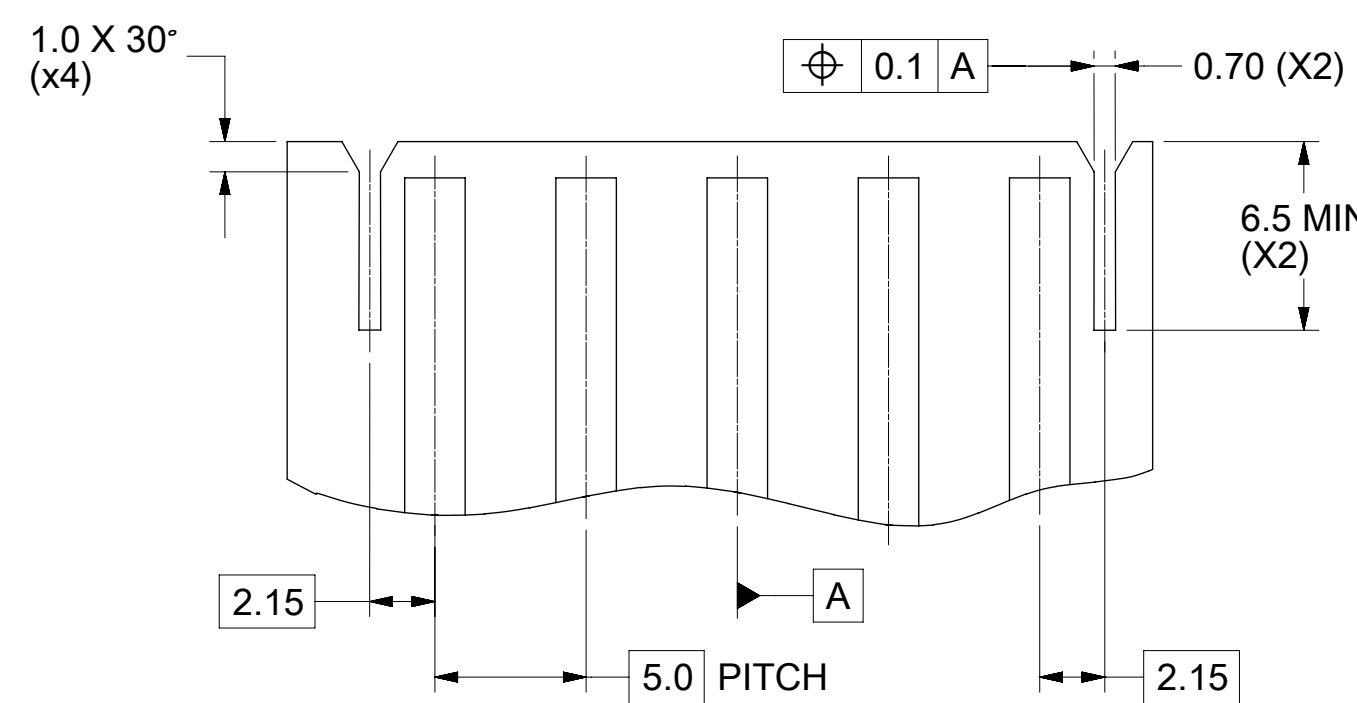
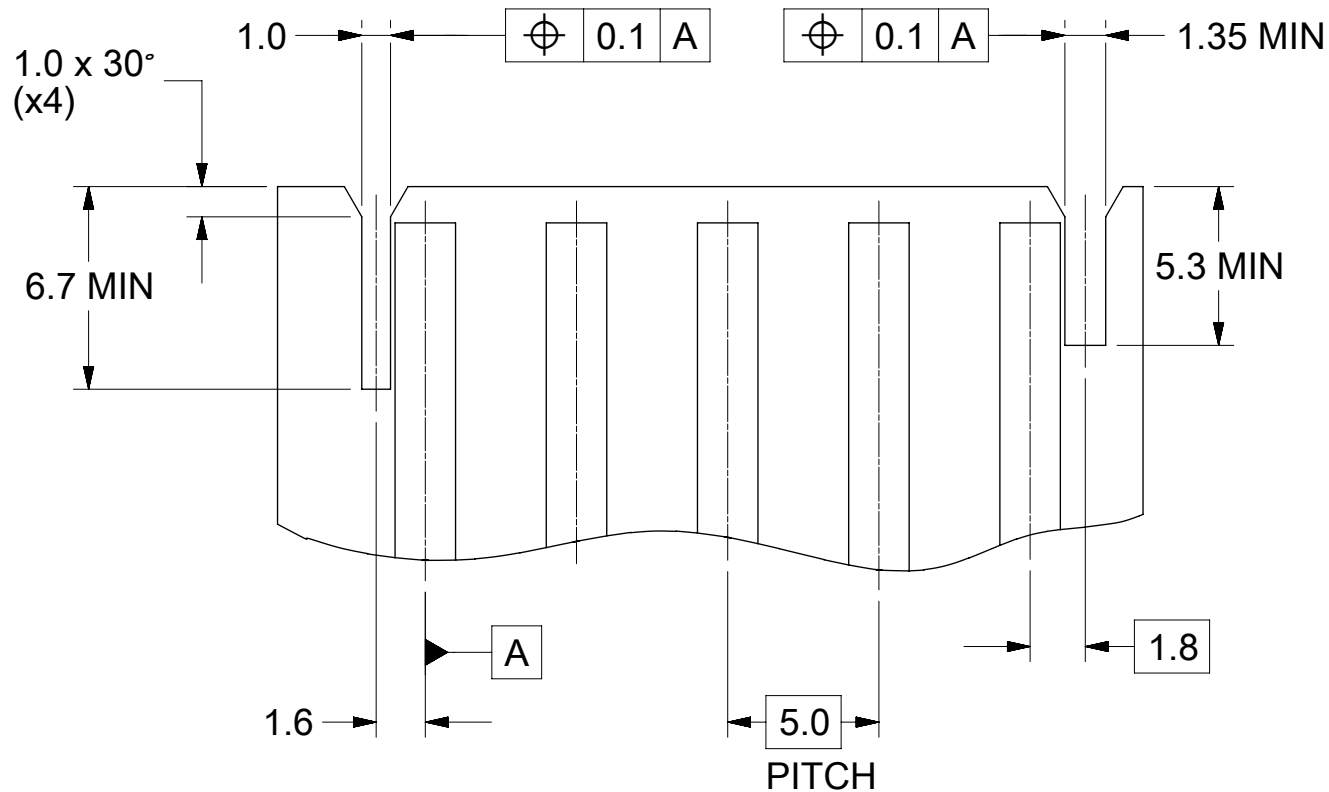
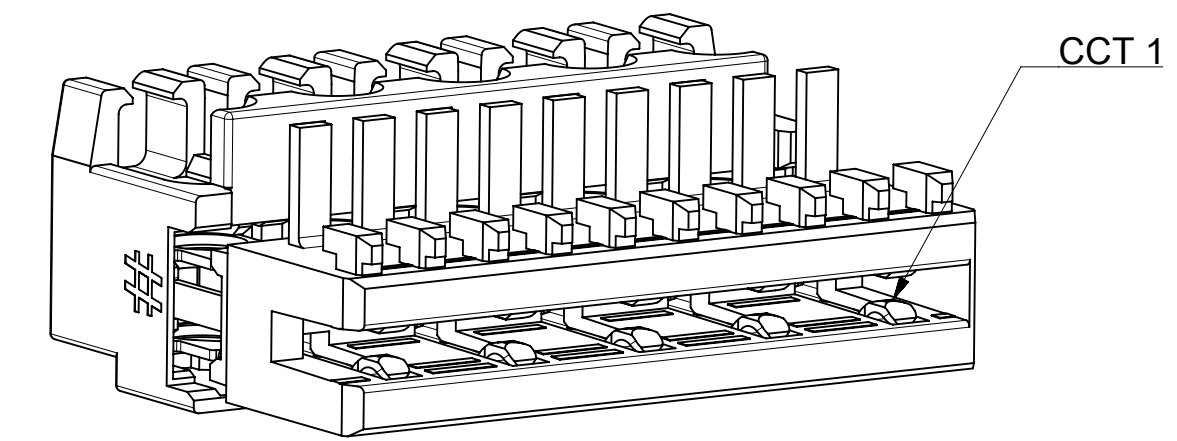
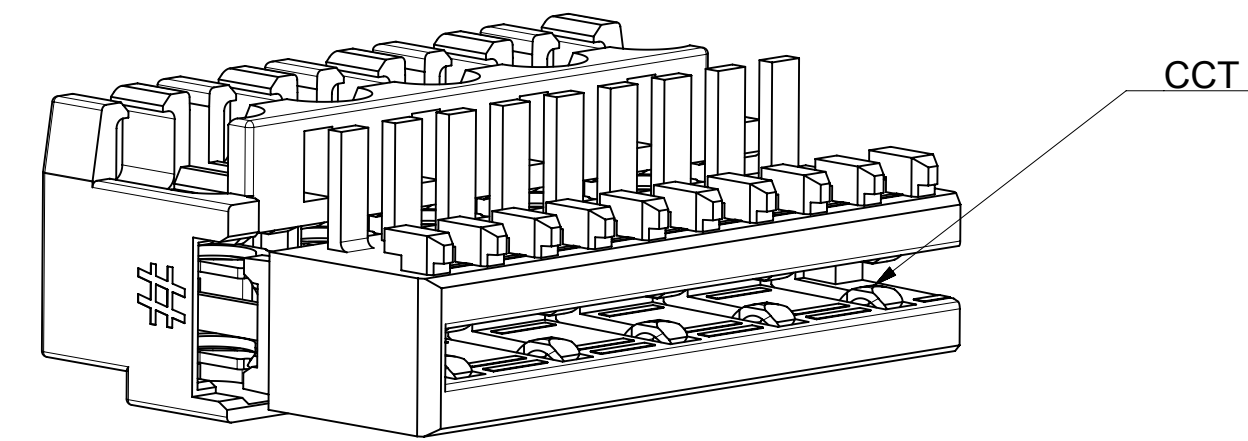
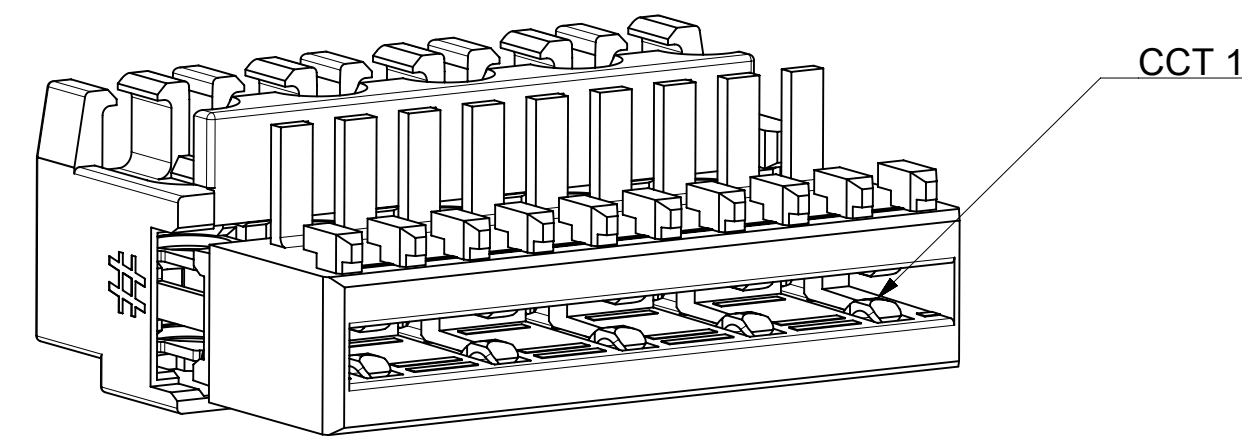
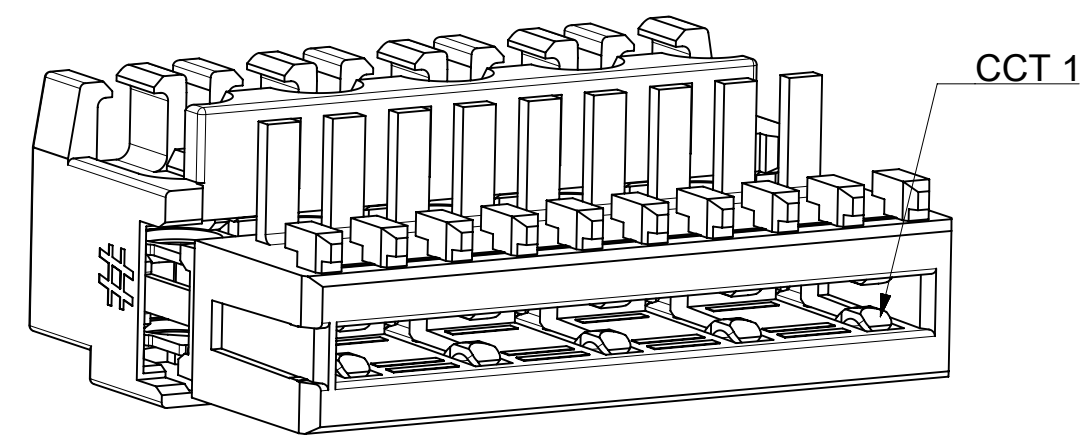
DIMENSION UNITS	SCALE	CURRENT REV DESC: UPDATED ENDWAL J,K,L	
mm	20:1		
GENERAL TOLERANCES (UNLESS SPECIFIED)			
ANGULAR TOL	± 2.0°	EC NO: 614393	
4 PLACES	±	DRWN: AKABADI	2019/03/22
3 PLACES	± 0.1	CHK'D: TCLEARY	2019/03/28
2 PLACES	± 0.1	APPR: DRYAN	2019/04/15
1 PLACE	± 0.2	INITIAL REVISION:	
0 PLACES	±	DRWN: AKABADI	2018/01/18
DRAFT WHERE APPLICABLE MUST REMAIN WITHIN DIMENSIONS		APPR: CMONAHAN	2018/10/15
THIRD ANGLE PROJECTION	DRAWING	SERIES	MATERIAL NUMBER
	A1-SIZE	91791	SEE CHARTS
		CUSTOMER	SHEET NUMBER
		GENERAL MARKET	2 OF 7

molex

10A RAST PWR IDT CONN 5MM PTCH

PRODUCT CUSTOMER DRAWING

DOCUMENT NUMBER	DOC TYPE	DOC PART	REVISION
917910001	PSD	000	C

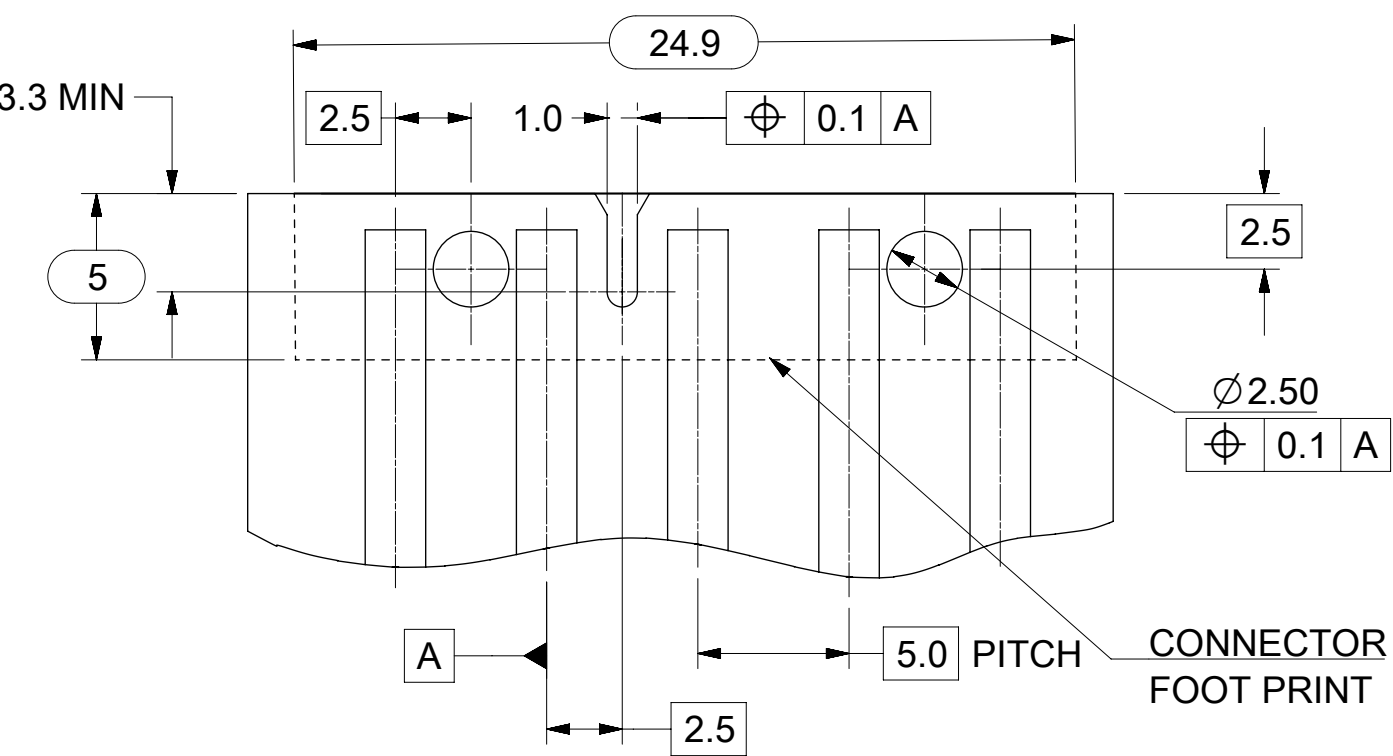
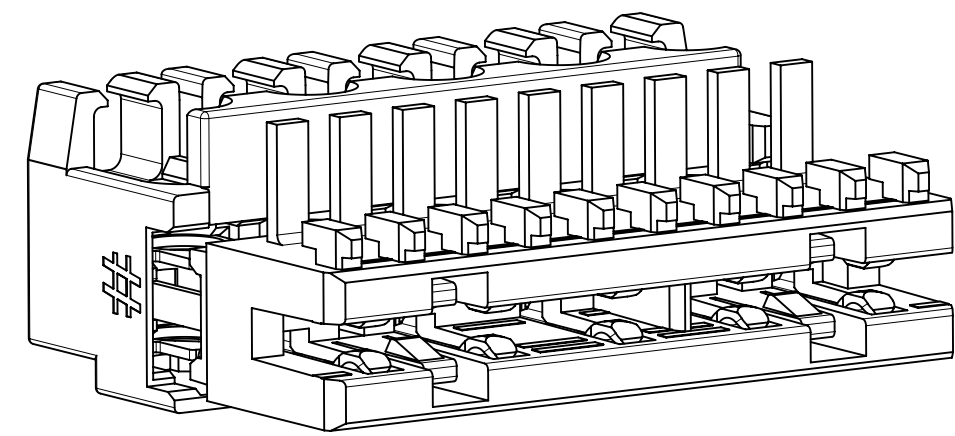


END WALLS H	
FIRST	LAST
LONG & THIN	LONG & THIN

END WALLS J	
FIRST	LAST
LONG & THIN OUTSIDE FLUSH	LONG & THIN OUTSIDE FLUSH

END WALLS K	
FIRST	LAST
OPEN	LONG & THIN OUTSIDE FLUSH

END WALLS L	
FIRST	LAST
LONG & THIN OUTSIDE FLUSH	OPEN



END WALLS M	
FIRST	LAST
1.5MM HIGH	1.5MM HIGH

NOTES:

- THERE MAY BE TWO LATCHES WHICH CAN BE POSITIONED BETWEEN CCT ONE AND TWO AND /OR BETWEEN SECOND LAST AND LAST CCT.
2CCT OPTIONS WILL HAVE HALF LATCH ONLY
3CCT OPTIONS WITH 2 LATCHES WILL HAVE HALF LATCH BETWEEN CCTS 1&2 AND FULL LATCH CCTS 2&3
- POLARIZING RIB CAN BE BETWEEN ANY 2 CCT, BUT NOT WHERE A LATCH IS POSITIONED.
- LATCHES NOT RECOMENDED WHEN MATING TO STANDARD HEADERS.

THIS DRAWING CONTAINS INFORMATION THAT IS PROPRIETARY TO MOLEX ELECTRONIC TECHNOLOGIES, LLC AND SHOULD NOT BE USED WITHOUT WRITTEN PERMISSION

DIMENSION UNITS: mm SCALE: 20:1

CURRENT REV DESC: UPDATED ENDWAL J,K,L

GENERAL TOLERANCES (UNLESS SPECIFIED)
ANGULAR TOL ± 2.0°
4 PLACES ±
3 PLACES ± 0.1
2 PLACES ± 0.1
1 PLACE ± 0.2
0 PLACES ±

EC NO: 614393
DRWN: AKABADI 2019/03/22
CHK'D: TCLEARY 2019/03/28
APPR: DRYAN 2019/04/15
INITIAL REVISION:
DRWN: AKABADI 2018/01/18
APPR: CMONAHAN 2018/10/15

molex

10A RAST PWR IDT CONN 5MM PTCH

PRODUCT CUSTOMER DRAWING

DOCUMENT NUMBER	DOC TYPE	DOC PART	REVISION
917910001	PSD	000	C

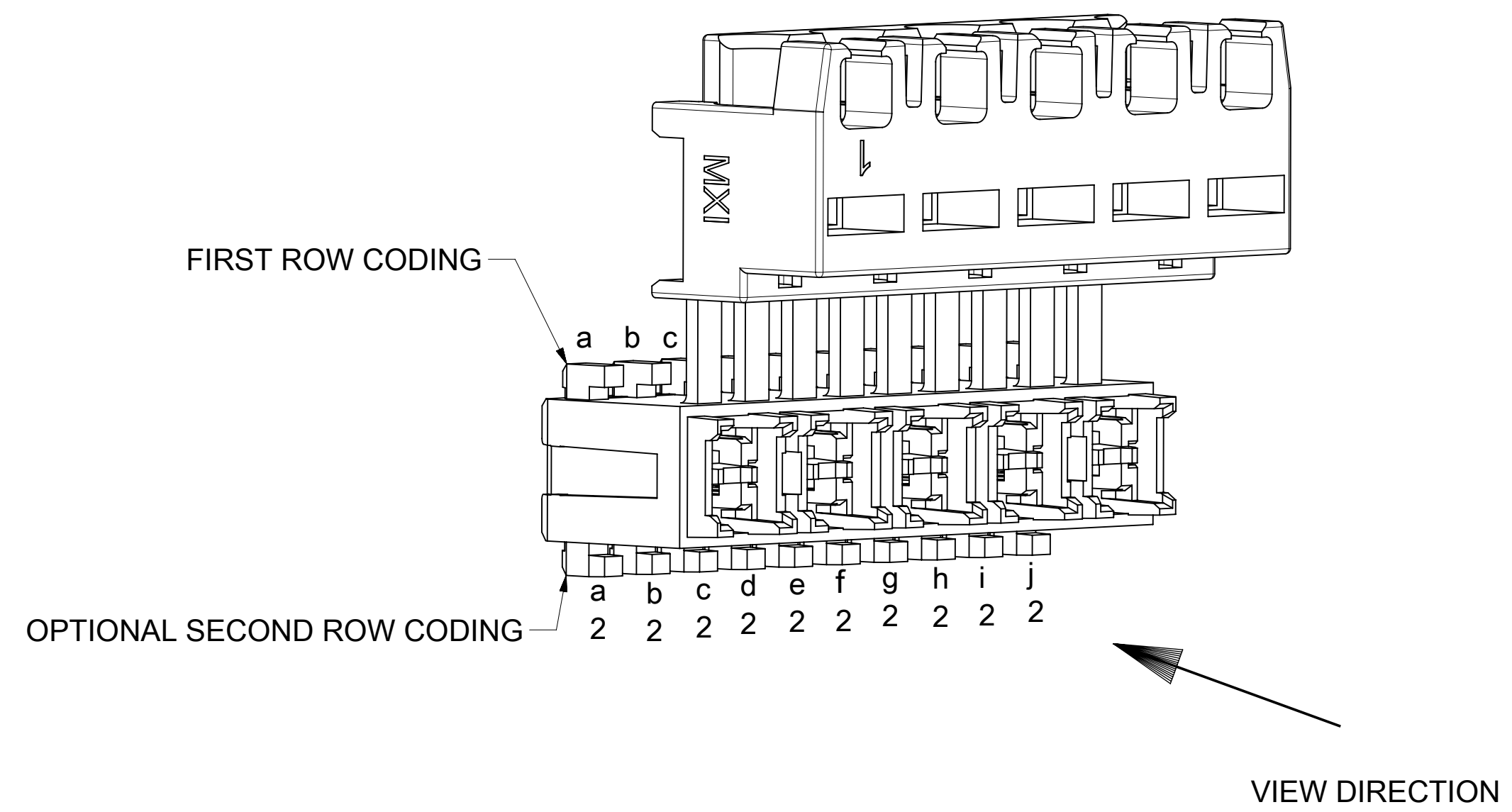
DRAFT WHERE APPLICABLE MUST REMAIN WITHIN DIMENSIONS	THIRD ANGLE PROJECTION	DRAWING	SERIES	MATERIAL NUMBER	CUSTOMER	SHEET NUMBER
		A1-SIZE	91791	SEE CHARTS	GENERAL MARKET	3 OF 7

2 CIRCUIT

MOLEX PART NO.	MOLEX HOUSING NO.	TERMINAL VOID POSITION	REMOVED CODING KEYS	CONFIGURATION	LATCH BETWEEN	POLARIZING RIB BETWEEN	ENDWALLS		COLOUR STRIPE
							FIRST	LAST	
91791-0001	91626-0002	NONE	NONE		NONE	NONE	OPEN	OPEN	NONE
91791-0002	91665-0002	NONE	a d b2 c2 d2		NONE	NONE	OPEN	OPEN	NONE
91791-0003	91665-0012	NONE	b d a2 b2 c2		NONE	NONE	OPEN	OPEN	NONE
91791-0004	91665-0002	NONE	b d b2 c2 d2		NONE	NONE	OPEN	OPEN	NONE
91791-0005	91665-0012	NONE	a b a2 b2 c2		NONE	NONE	OPEN	OPEN	NONE
91791-0006	91665-0012	NONE	a d a2 b2 c2		NONE	NONE	OPEN	OPEN	NONE
91791-0007	91665-0012	NONE	b c a2 b2 c2		NONE	NONE	OPEN	OPEN	NONE
91791-0008	91665-0003	NONE	a b c b2 c2		NONE	NONE	OPEN	OPEN	NONE
91791-0501	91690-2062	NONE	None		1/2	NONE	OPEN	LONG & THICK	NONE
91791-0010	91665-0002	NONE	a d b2 c2 d2		NONE	NONE	OPEN	OPEN	RED
91791-0009	91626-0002	NONE	a b		NONE	NONE	OPEN	OPEN	NONE
91791-0011	91665-0004	NONE	b d a2 b2 c2		1/2	NONE	OPEN	OPEN	NONE
91791-0012	91665-0005	NONE	a d b2 c2 d2		1/2	NONE	OPEN	OPEN	NONE
91791-0013	91665-0005	NONE	b d b2 c2 d2		1/2	NONE	OPEN	OPEN	NONE
91791-0014	91665-0006	NONE	a b c b2 c2		1/2	NONE	OPEN	OPEN	NONE
91791-0502	91690-2022	NONE	NONE		1/2	NONE	SHORT & THIN	LONG & THICK	NONE
91791-0015	91665-0007	NONE	b d a2 b2 c2		NONE	NONE	1.5MM HIGH	1.5MM HIGH	NONE
91791-0016	91665-0008	NONE	b d b2 c2 d2		NONE	NONE	1.5MM HIGH	1.5MM HIGH	NONE
91791-0017	91665-0009	NONE	a b c b2 c2		NONE	NONE	1.5MM HIGH	1.5MM HIGH	NONE
91791-0018	91665-0010	NONE	a b a2 b2 c2		NONE	NONE	1.5MM HIGH	1.5MM HIGH	NONE
91791-0019	91665-0011	NONE	b c a2 b2 c2		NONE	NONE	1.5MM HIGH	1.5MM HIGH	NONE

2 CIRCUIT

MOLEX PART NO.	MOLEX HOUSING NO.	TERMINAL VOID POSITION	REMOVED CODING KEYS	CONFIGURATION	LATCH BETWEEN	POLARIZING RIB BETWEEN	ENDWALLS		COLOUR STRIPE
							FIRST	LAST	
91791-0503	91690-2002	NONE	NONE		1/2	NONE	OPEN	OPEN	NONE
91791-0020	91626-2002	NONE	a b c a2 b2 c2		NONE	NONE	OPEN	OPEN	NONE
91791-0021	91626-2002	NONE	b c d b2 c2		NONE	NONE	OPEN	OPEN	NONE

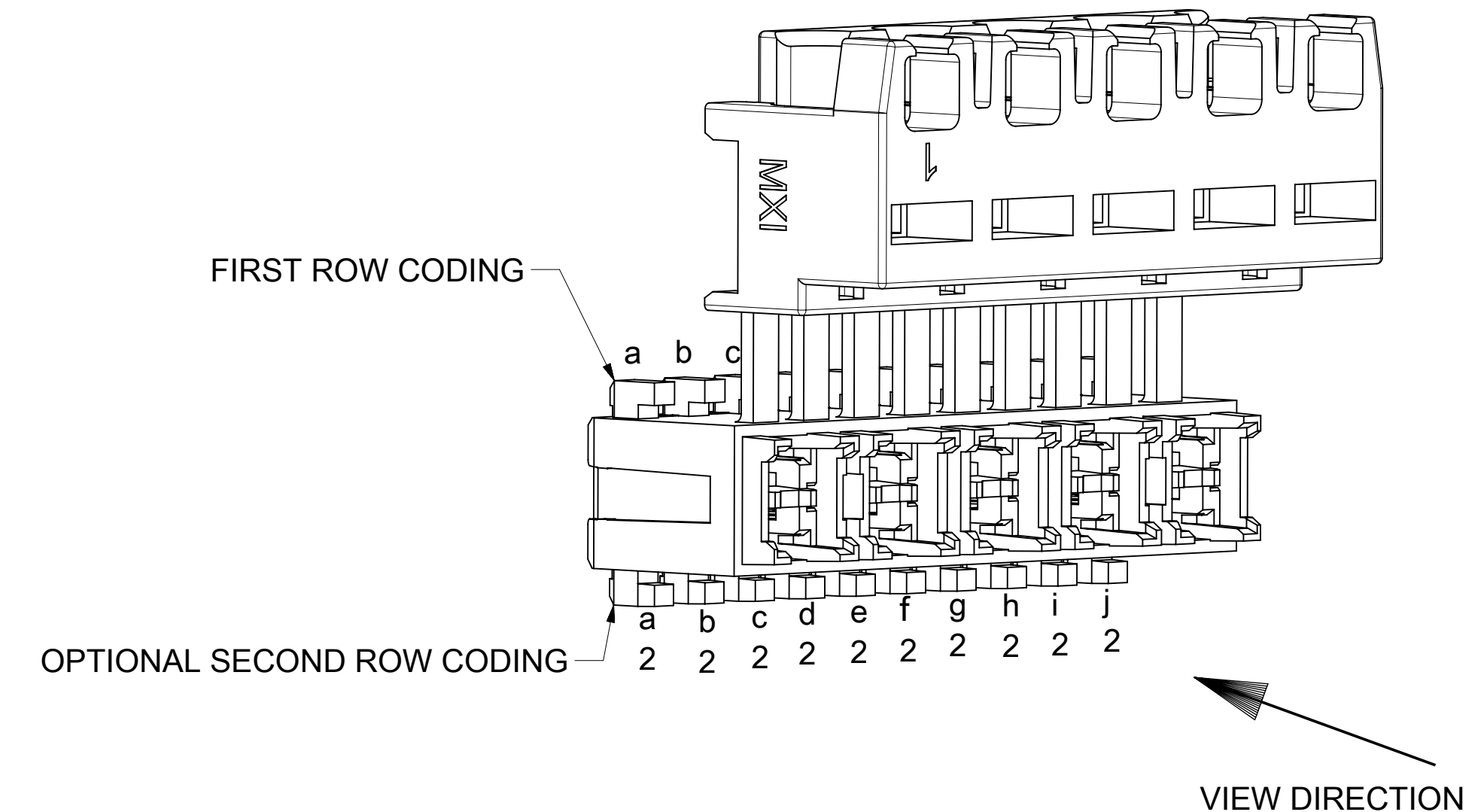


- NOTES:**
- FIRST CKT SIDE IS THE SIDE CLOSEST TO CKT 1
 - LAST CKT SIDE IS THE SIDE CLOSEST TO THE HIGHEST CKT SIZE
- DENOTES TERMINAL POSITION LOADED
 - DENOTES TERMINAL POSITION VOIDED
 - DENOTES POSITION OF POLARISING RIB
 - DENOTES POSITION OF LOCKING LATCH

THIS DRAWING CONTAINS INFORMATION THAT IS PROPRIETARY TO MOLEX ELECTRONIC TECHNOLOGIES, LLC AND SHOULD NOT BE USED WITHOUT WRITTEN PERMISSION		CURRENT REV DESC: UPDATED ENDWAL J,K,L		molex	
DIMENSION UNITS mm	SCALE 1:1	EC NO: 614393			
GENERAL TOLERANCES (UNLESS SPECIFIED)		DRWN: AKABADI 2019/03/22		10A RAST PWR IDT CONN 5MM PTCH	
ANGULAR TOL ± 2.0°		CHK'D: TCLEARY 2019/03/28			
4 PLACES ±		APPR: DRYAN 2019/04/15		PRODUCT CUSTOMER DRAWING	
3 PLACES ± 0.1		INITIAL REVISION:			
2 PLACES ± 0.1		DRWN: AKABADI 2018/01/18		DOCUMENT NUMBER 917910001	
1 PLACE ± 0.2		APPR: CMONAHAN 2018/10/15			
0 PLACES ±		DRAFT WHERE APPLICABLE MUST REMAIN WITHIN DIMENSIONS		MATERIAL NUMBER SEE CHARTS	
THIRD ANGLE PROJECTION		DRAWING SERIES A1-SIZE 91791			
SHEET NUMBER 4 OF 7		SHEET NUMBER 4 OF 7		SHEET NUMBER 4 OF 7	

3 CIRCUIT

MOLEX PART NO.	MOLEX HOUSING NO.	TERMINAL VOID POSITION	REMOVED CODING KEYS	CONFIGURATION	LATCH BETWEEN	POLARIZING RIB BETWEEN	ENDWALLS		COLOUR STRIPE
							FIRST	LAST	
91791-1001	91626-0003	NONE	NONE		NONE	NONE	OPEN	OPEN	NONE
91791-1002	91626-0103	NONE	a b c		NONE	1/2	OPEN	OPEN	RED
91791-1004	91626-0103	NONE	NONE		NONE	1/2	OPEN	OPEN	RED
91791-1504	91690-2203	NONE	a b c		1/2	2/3	OPEN	OPEN	RED
91791-1003	91665-1001	NONE	b c d e f b2 c2 d2 e2		NONE	NONE	OPEN	OPEN	NONE
91791-1505	91690-0023	NONE	NONE		1/2 2/3	NONE	SHORT THIN	LONG THICK	NONE
91791-1506	91690-4163	NONE	NONE		2/3	1/2	OPEN	LONG THICK	NONE
91791-1507	91690-4154	NONE	NONE		2/3	1/2	LONG THIN	LONG THIN	NONE
91791-1508	91690-4134	NONE	NONE		2/3	1/2	SHORT THIN	SHORT THIN	NONE
91791-1509	91690-4183	NONE	NONE		2/3	1/2	LONG THICK	OPEN	NONE
91791-1510	91665-1002	NONE	a b c d b2 c2 d2 e2		1/2	NONE	OPEN	OPEN	NONE
91791-1511	91665-1002	NONE	a b e f b2 c2 d2 e2		1/2	NONE	OPEN	OPEN	NONE
91791-1512	91665-1002	NONE	b c d e b2 c2 d2 e2		1/2	NONE	OPEN	OPEN	NONE
91791-1005	91626-0003	NONE	d e f		NONE	NONE	OPEN	OPEN	NONE
91791-1006	91665-1001	NONE	a c d f b2 c2 d2 e2		NONE	NONE	OPEN	OPEN	NONE
91791-1007	91626-0003	NONE	b c d e		NONE	NONE	OPEN	OPEN	NONE
91791-1513	91665-1002	NONE	b c d e f b2 c2 d2 e2		1/2	NONE	OPEN	OPEN	NONE
91791-1008	91665-1001	NONE	b c d e a2 b2 c2 d2 e2		NONE	NONE	OPEN	OPEN	NONE
91791-1009	91665-1003	NONE	b c d e f b2 c2 d2 e2		NONE	NONE	1.5MM HIGH	1.5MM HIGH	NONE
91791-1010	91665-1004	NONE	b c d b2 c2 d2 e2		NONE	NONE	1.5MM HIGH	1.5MM HIGH	NONE
91791-1012	91690-2214	NONE	NONE		1/2	2/3	CLOSED	CLOSED	NONE
91791-1013	91626-2003	NONE	a b c d e f a2 b2 c2 d2 e2 f2		NONE	NONE	OPEN	OPEN	NONE



- NOTES:**
- FIRST CKT SIDE IS THE SIDE CLOSEST TO CKT 1
 - LAST CKT SIDE IS THE SIDE CLOSEST TO THE HIGHEST CKT SIZE
- ⊕ - DENOTES TERMINAL POSITION LOADED
 - ⊖ - DENOTES TERMINAL POSITION VOIDED
 - | - DENOTES POSITION OF POLARISING RIB
 - - DENOTES POSITION OF LOCKING LATCH

THIS DRAWING CONTAINS INFORMATION THAT IS PROPRIETARY TO MOLEX ELECTRONIC TECHNOLOGIES, LLC AND SHOULD NOT BE USED WITHOUT WRITTEN PERMISSION		CURRENT REV DESC: UPDATED ENDWAL		molex	
DIMENSION UNITS	SCALE	J,K,L			
mm	1:1			10A RAST PWR IDT CONN 5MM PTCH	
GENERAL TOLERANCES (UNLESS SPECIFIED)					
ANGULAR TOL	± 2.0°	EC NO: 614393		PRODUCT CUSTOMER DRAWING	
4 PLACES	±	DRWN: AKABADI	2019/03/22		
3 PLACES	± 0.1	CHK'D: TCLEARY	2019/03/28	DOCUMENT NUMBER	
2 PLACES	± 0.1	APPR: DRYAN	2019/04/15		
1 PLACE	± 0.2	INITIAL REVISION:		917910001	
0 PLACES	±	DRWN: AKABADI	2018/01/18		
DRAFT WHERE APPLICABLE MUST REMAIN WITHIN DIMENSIONS		THIRD ANGLE PROJECTION	DRAWING	SERIES	REVISION
			A1-SIZE	91791	C
		MATERIAL NUMBER		CUSTOMER	SHEET NUMBER
		SEE CHARTS		GENERAL MARKET	5 OF 7

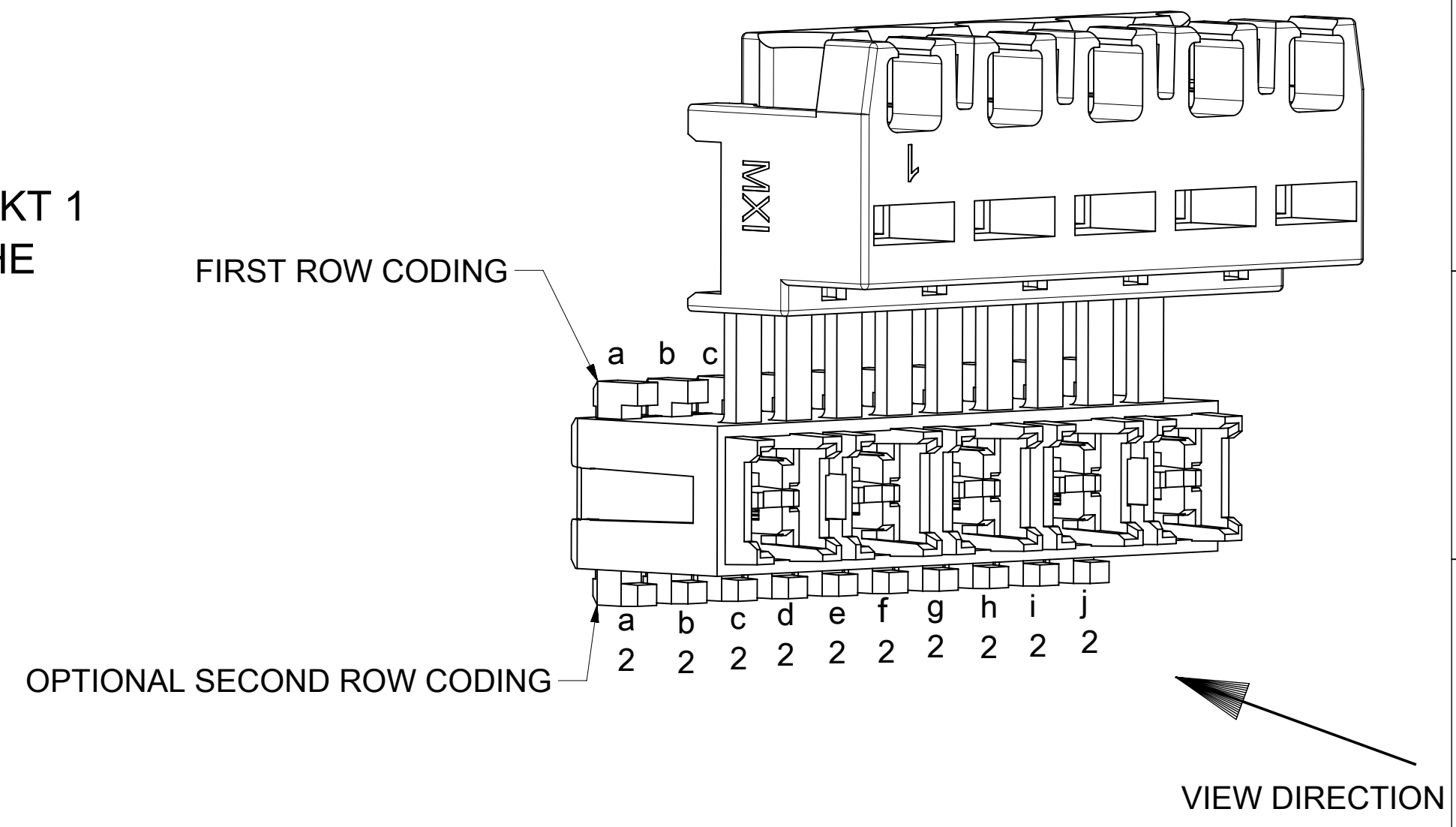
4 CIRCUIT

MOLEX PART NO.	MOLEX HOUSING NO.	TERMINAL VOID POSITION	REMOVED CODING KEYS	CONFIGURATION	LATCH BETWEEN	POLARIZING RIB BETWEEN	ENDWALLS		COLOUR STRIPE
							FIRST	LAST	
91791-2001	91626-0004	NONE	NONE		NONE	NONE	OPEN	OPEN	NONE
91791-2004	91626-0204	NONE	b d e f g h		NONE	2/3	OPEN	OPEN	RED
91791-2505	91690-0024	NONE	NONE		1/2 3/4	NONE	SHORT THIN	LONG THICK	NONE
91791-2506	91690-4164	NONE	NONE		3/4	1/2	OPEN	LONG THICK	NONE
91791-2005	91665-2001	NONE	b c d e f g b2 c2 d2 e2 f2 g2 h2		NONE	NONE	OPEN	OPEN	NONE
91791-2006	91665-2002	NONE	b c d e f g b2 c2 d2 e2 f2 g2 h2		NONE	NONE	1.5MM HIGH	1.5MM HIGH	NONE

NOTES:

- FIRST CKT SIDE IS THE SIDE CLOSEST TO CKT 1
- LAST CKT SIDE IS THE SIDE CLOSEST TO THE HIGHEST CKT SIZE

- ⊕ - DENOTES TERMINAL POSITION LOADED
- ⊖ - DENOTES TERMINAL POSITION VOIDED
- | - DENOTES POSITION OF POLARISING RIB
- - DENOTES POSITION OF LOCKING LATCH



5 CIRCUIT

MOLEX PART NO.	MOLEX HOUSING NO.	TERMINAL VOID POSITION	REMOVED CODING KEYS	CONFIGURATION	LATCH BETWEEN	POLARIZING RIB BETWEEN	ENDWALLS		COLOUR STRIPE
							FIRST	LAST	
91791-3001	91626-0005	NONE	NONE		NONE	NONE	OPEN	OPEN	NONE
91791-3501	91690-0365	NONE	NONE		1/2 4/5	3/4	OPEN	LONG THICK	NONE
91791-3002	91626-0005	NONE	b c d g h j		NONE	NONE	OPEN	OPEN	NONE
91791-3502	91690-0265	NONE	NONE		1/2 4/5	2/3	OPEN	LONG THICK	NONE
91791-3503	91626-0225	NONE	a b c d e f g h i j		1/2 4/5	2/3	SHORT THIN	LONG THICK	NONE

7 CIRCUIT

MOLEX PART NO.	MOLEX HOUSING NO.	TERMINAL VOID POSITION	REMOVED CODING KEYS	CONFIGURATION	LATCH BETWEEN	POLARIZING RIB BETWEEN	ENDWALLS		COLOUR STRIPE
							FIRST	LAST	
91791-5001	91626-0007	NONE	NONE		NONE	NONE	OPEN	OPEN	NONE
91791-5002	91665-5002	NONE	a b c d e f i j k l m n b2 c2 d2 e2 f2 g2 h2 i2 j2 k2 m2 n2		NONE	NONE	OPEN	OPEN	NONE
91791-5003	91626-0507	NONE	NONE		NONE	5/6	OPEN	OPEN	NONE
91791-5004	91665-5003	NONE	a b c d e f i j k l m n b2 c2 d2 e2 f2 g2 h2 i2 j2 k2 m2 n2		NONE	NONE	1.5MM HIGH	1.5MM HIGH	NONE

6 CIRCUIT

MOLEX PART NO.	MOLEX HOUSING NO.	TERMINAL VOID POSITION	REMOVED CODING KEYS	CONFIGURATION	LATCH BETWEEN	POLARIZING RIB BETWEEN	ENDWALLS		COLOUR STRIPE
							FIRST	LAST	
91791-4001	91626-0006	NONE	NONE		NONE	NONE	OPEN	OPEN	NONE
91791-4002	91665-4001	NONE	a b c d e f i j k l b2 c2 d2 e2 f2 g2 h2 i2 j2 k2		NONE	NONE	OPEN	OPEN	NONE
91791-4503	91690-0306	NONE	NONE		1/2 5/6	3/4	OPEN	OPEN	NONE
91791-4003	91665-4003	NONE	a b c d e f i j k l b2 c2 d2 e2 f2 g2 h2 i2 j2 k2		NONE	NONE	1.5MM HIGH	1.5MM HIGH	NONE
91791-4504	91690-0026	NONE	NONE		1/2 5/6	NONE	SHORT THIN	LONG THICK	NONE

8 CIRCUIT

MOLEX PART NO.	MOLEX HOUSING NO.	TERMINAL VOID POSITION	REMOVED CODING KEYS	CONFIGURATION	LATCH BETWEEN	POLARIZING RIB BETWEEN	ENDWALLS		COLOUR STRIPE
							FIRST	LAST	
91791-6001	91626-0008	NONE	NONE		NONE	NONE	OPEN	OPEN	NONE

THIS DRAWING CONTAINS INFORMATION THAT IS PROPRIETARY TO MOLEX ELECTRONIC TECHNOLOGIES, LLC AND SHOULD NOT BE USED WITHOUT WRITTEN PERMISSION

DIMENSION UNITS	SCALE	CURRENT REV DESC: UPDATED ENDWAL J,K,L			
mm	1:1				
GENERAL TOLERANCES (UNLESS SPECIFIED)		EC NO: 614393		10A RAST PWR IDT CONN 5MM PTCH	
ANGULAR TOL	± 2.0°	DRWN: AKABADI	2019/03/22	PRODUCT CUSTOMER DRAWING	
4 PLACES	±	CHK'D: TCLEARY	2019/03/28	DOCUMENT NUMBER	
3 PLACES	± 0.1	APPR: DRYAN	2019/04/15	DOC TYPE DOC PART REVISION	
2 PLACES	± 0.1	INITIAL REVISION:		917910001	
1 PLACE	± 0.2	DRWN: AKABADI	2018/01/18	PSD 000 C	
0 PLACES	±	APPR: CMONAHAN	2018/10/15	SHEET NUMBER	
DRAFT WHERE APPLICABLE MUST REMAIN WITHIN DIMENSIONS		THIRD ANGLE PROJECTION	DRAWING	SERIES	MATERIAL NUMBER
			A1-SIZE	91791	CUSTOMER
					GENERAL MARKET
					6 OF 7

9 CIRCUIT

MOLEX PART NO.	MOLEX HOUSING NO.	TERMINAL VOID POSITION	REMOVED CODING KEYS	CONFIGURATION	LATCH BETWEEN	POLARIZING RIB BETWEEN	ENDWALLS		COLOUR STRIPE
							FIRST	LAST	
91791-7001	91626-0009	NONE	NONE	⊕ 1 ⊕ 2 ⊕ 3 ⊕ 4 ⊕ 5 ⊕ 6 ⊕ 7 ⊕ 8 ⊕ 9	NONE	NONE	OPEN	OPEN	NONE
91791-7003	91626-0209	NONE	NONE	⊕ 1 ⊕ 2 ⊕ 3 ⊕ 4 ⊕ 5 ⊕ 6 ⊕ 7 ⊕ 8 ⊕ 9	NONE	2/3	OPEN	OPEN	NONE

10 CIRCUIT

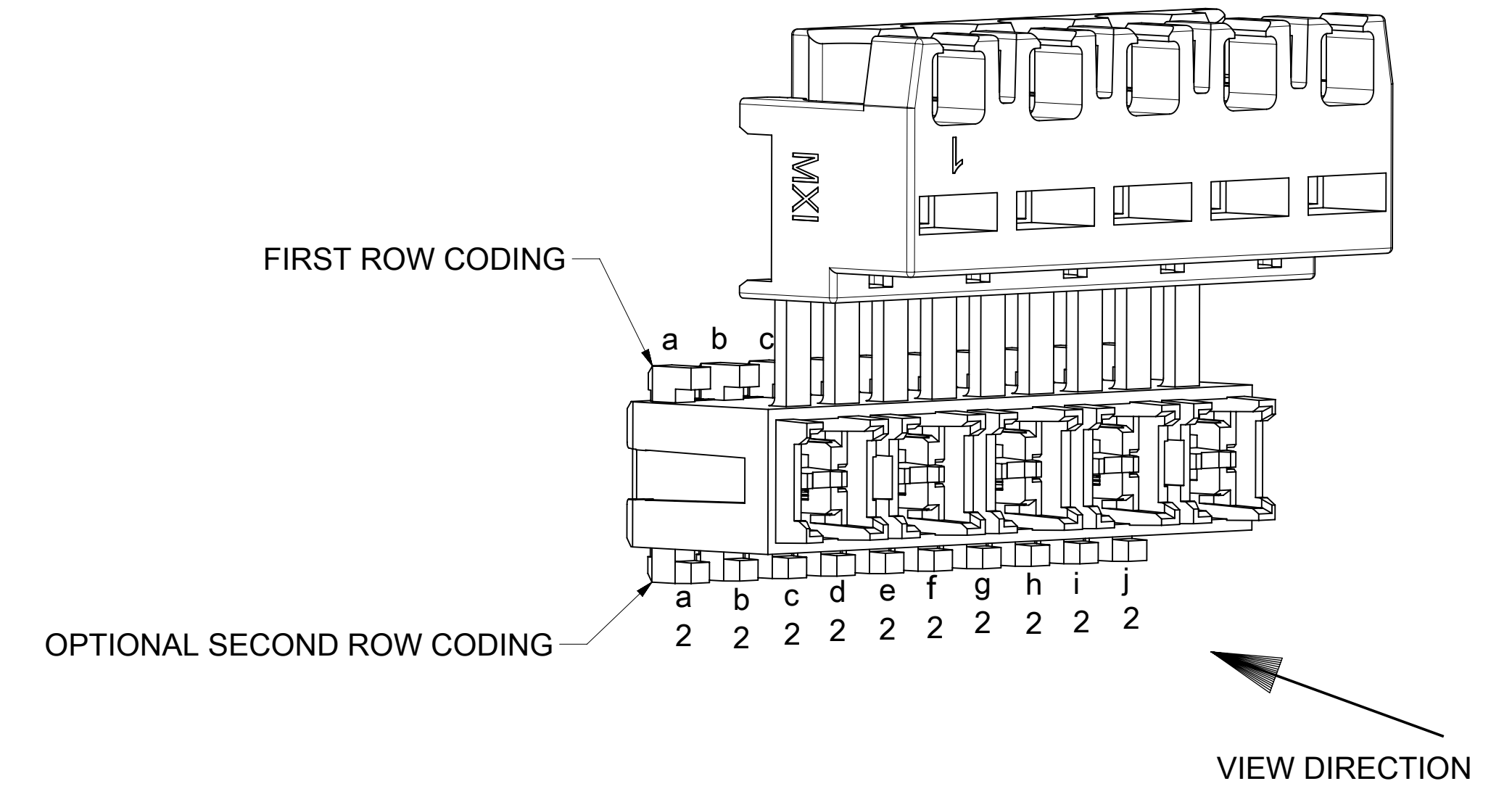
MOLEX PART NO.	MOLEX HOUSING NO.	TERMINAL VOID POSITION	REMOVED CODING KEYS	CONFIGURATION	LATCH BETWEEN	POLARIZING RIB BETWEEN	ENDWALLS		COLOUR STRIPE
							FIRST	LAST	
91791-8001	91626-0010	NONE	NONE	⊕ 1 ⊕ 2 ⊕ 3 ⊕ 4 ⊕ 5 ⊕ 6 ⊕ 7 ⊕ 8 ⊕ 9 ⊕ 10	NONE	NONE	OPEN	OPEN	NONE

11 CIRCUIT

MOLEX PART NO.	MOLEX HOUSING NO.	TERMINAL VOID POSITION	REMOVED CODING KEYS	CONFIGURATION	LATCH BETWEEN	POLARIZING RIB BETWEEN	ENDWALLS		COLOUR STRIPE
							FIRST	LAST	
91791-9001	91626-0011	NONE	NONE	⊕ 1 ⊕ 2 ⊕ 3 ⊕ 4 ⊕ 5 ⊕ 6 ⊕ 7 ⊕ 8 ⊕ 9 ⊕ 10 ⊕ 11	NONE	NONE	OPEN	OPEN	NONE

12 CIRCUIT

MOLEX PART NO.	MOLEX HOUSING NO.	TERMINAL VOID POSITION	REMOVED CODING KEYS	CONFIGURATION	LATCH BETWEEN	POLARIZING RIB BETWEEN	ENDWALLS		COLOUR STRIPE
							FIRST	LAST	
91791-9501	91626-0012	NONE	NONE	⊕ 1 ⊕ 2 ⊕ 3 ⊕ 4 ⊕ 5 ⊕ 6 ⊕ 7 ⊕ 8 ⊕ 9 ⊕ 10 ⊕ 11 ⊕ 12	NONE	NONE	OPEN	OPEN	NONE



- NOTES:
- FIRST CKT SIDE IS THE SIDE CLOSEST TO CKT 1
 - LAST CKT SIDE IS THE SIDE CLOSEST TO THE HIGHEST CKT SIZE
- ⊕ - DENOTES TERMINAL POSITION LOADED
 - ⊖ - DENOTES TERMINAL POSITION VOIDED
 - | - DENOTES POSITION OF POLARISING RIB
 - ⌊ - DENOTES POSITION OF LOCKING LATCH

THIS DRAWING CONTAINS INFORMATION THAT IS PROPRIETARY TO MOLEX ELECTRONIC TECHNOLOGIES, LLC AND SHOULD NOT BE USED WITHOUT WRITTEN PERMISSION									
DIMENSION UNITS	SCALE	CURRENT REV DESC: UPDATED ENDWAL J,K,L							
mm	1:1	 10A RAST PWR IDT CONN 5MM PTCH							
GENERAL TOLERANCES (UNLESS SPECIFIED)									
ANGULAR TOL	± 2.0°								
4 PLACES	±								
3 PLACES	± 0.1								
2 PLACES	± 0.1								
1 PLACE	± 0.2	EC NO: 614393		2019/03/22		PRODUCT CUSTOMER DRAWING		DOCUMENT NUMBER	
0 PLACES	±	DRWN: AKABADI		2019/03/28		917910001		PSD 000 C	
DRAFT WHERE APPLICABLE MUST REMAIN WITHIN DIMENSIONS		APPR: CMONAHAN		2018/10/15		MATERIAL NUMBER		CUSTOMER	
THIRD ANGLE PROJECTION		DRAWING		SERIES		SEE CHARTS		GENERAL MARKET	
		A1-SIZE		91791		CUSTOMER		SHEET NUMBER	
						7 OF 7			