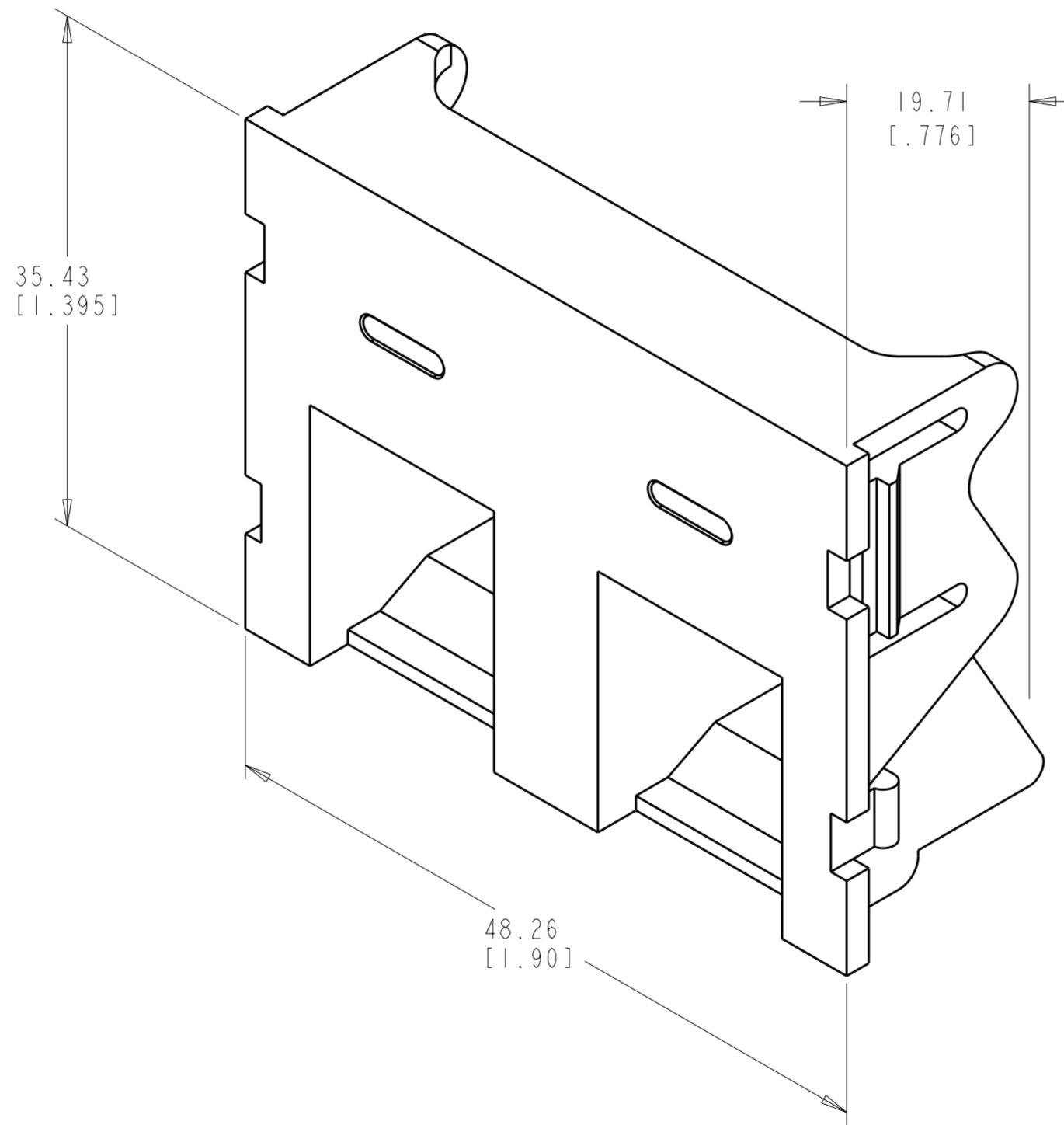



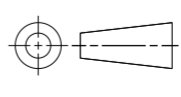
THIS DRAWING IS UNPUBLISHED. RELEASED FOR PUBLICATION 20
 © COPYRIGHT 20 BY - ALL RIGHTS RESERVED.

REVISIONS				
P	LTR	DESCRIPTION	DATE	APVD
0		RELEASED; NPR PT-006	20SEP99	RSM RM
A		REV; EC 0B40-0208-00	06OCT2000	GG GB
B		REV; ECO-13-019669	16DEC2013	JB RA
C		REV; ECO-15-003156	19MAY2015	GG RA

- 1 MATERIAL:
MODULE: ABS MOLDING COMPOUND.
SEE TABLE FOR COLOR.
- 2 DIMENSIONS ARE NOMINAL UNLESS OTHERWISE SPECIFIED.
- 3. MODULE WILL ACCEPT 110 CONNECT AND SL SERIES TOOLLESS MODULAR JACKS AND INSERTS.
- 4. REFER TO INSTRUCTION SHEET 408-8398 FOR INSTALLATION PROCEDURES.



ALPINE WHITE	I-1116406-3
LT ALMOND	1116406-1
COLOR	PART NO

THIS DRAWING IS A CONTROLLED DOCUMENT.		DWN R. MARTIN 15OCT98	 TE Connectivity	
DIMENSIONS: mm (INCHES)		CHK R. MARTIN 15OCT98		
		APVD R. MARTIN 09NOV99		
TOLERANCES UNLESS OTHERWISE SPECIFIED:		NAME MODULE, 2 PORT, ANGLED, 1.5 UNITS HIGH, SL SERIES		
0 PLC ±	±	PRODUCT SPEC		
1 PLC ±	±	APPLICATION SPEC		
2 PLC ±	±	SIZE		
3 PLC ±	±	CAGE CODE		
4 PLC ±	±	DRAWING NO		
ANGLES ±	±	RESTRICTED TO		
FINISH	-	A2 - C-1116406		
MATERIAL	1	Customer Drawing		
		SCALE 3:1		SHEET 1 OF 1
				REV C