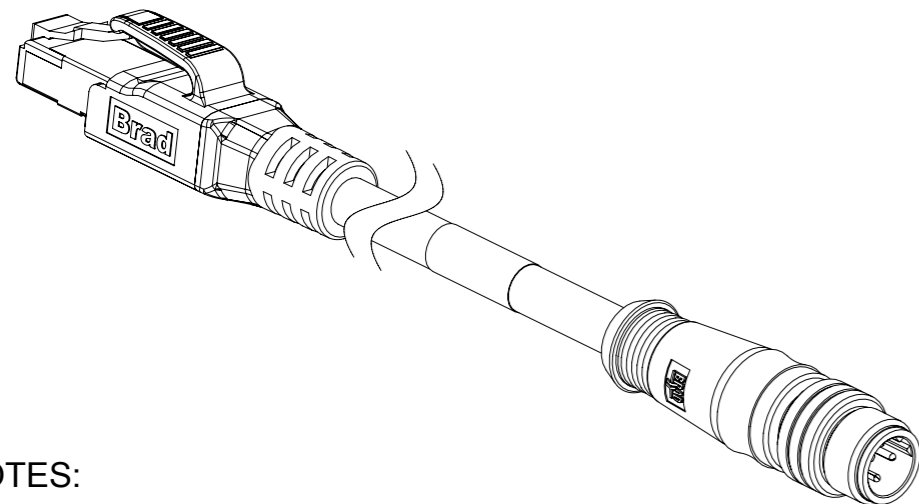
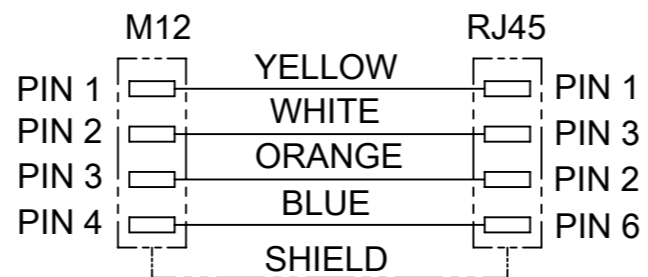


WIRING DIAGRAM



NOTES:

- ELECTRICAL DATA:  
MAX. VOLTAGE RATING 60 VDC  
MAX. CURRENT PER CONTACT 1.5 A
- ENVIRONMENTAL:  
OPERATING TEMPERATURE SEE SHEET 2  
INDEX OF PROTECTION RJ45: IP20  
INDEX OF PROTECTION M12: IP67
- FOR MORE INFORMATION SEE PRODUCT SPECIFICATION 1201080202 PS P00

BOM

ITEM	QTY.	DESCRIPTION	MATERIAL	FINISH/COLOR
9	4	CONTACTS M12 MALE	BRASS	SELECTIVE GOLD
8	1	INSERT 4P MALE	PUR	BLACK
7	1	COUPLING NUT M12 MALE	BRASS	NICKEL
6	1	LABEL 50x69.8	VINYL	WHITE
5	-	CABLE	SEE SHEET 2	---
4	-	OVERMOLD	TPU	BLACK
3	1	SHIELD	BRASS	TIN
2	1	PLUG RJ45 TRANSPARENT	POLYCARBONATE	---
1	4 or 8	CONTACT RJ45 MALE	PHOSPHOR BRONZE	SELECTIVE GOLD

FUNCTIONAL SYMBOLS					THIS DRAWING CONTAINS INFORMATION THAT IS PROPRIETARY TO MOLEX ELECTRONIC TECHNOLOGIES, LLC AND SHOULD NOT BE USED WITHOUT WRITTEN PERMISSION				
DIMENSION UNITS		SCALE		CURRENT REV DESC: CABLE AND STDS UPDATED					
mm		1:1		<div style="text-align: center;"><b>molex</b></div> <p>CSE M12 RJ45 4P DC MA STR MA STR XM</p> <p>PRODUCT CUSTOMER DRAWING</p>					
GENERAL TOLERANCES (UNLESS SPECIFIED)									
ANGULAR TOL ± 1.0°									
4 PLACES ±									
DIVISIONAL SYMBOLS		3 PLACES ±		EC NO: 672185		2021/06/22		DRWN: MDHARMANTI	
2 PLACES ± 0.05		2 PLACES ±		3 PLACES ±		2021/09/20		CHK'D: RSILLER	
1 PLACE ± 0.1		1 PLACE ±		2 PLACES ± 0.05		2021/09/20		APPR: RSILLER	
0 PLACES ± 0.2		0 PLACES ±		INITIAL REVISION:		2015/07/07		DRWN: JMARSZALEK	
DRAFT WHERE APPLICABLE MUST REMAIN WITHIN DIMENSIONS		THIRD ANGLE PROJECTION		APPR: RSILLER		2020/05/12		DRWN: JMARSZALEK	
DRAWING		SERIES		DOCUMENT NUMBER		DOC TYPE		DOC PART	
A3-SIZE		120108		1201080256		PSD		000	
MATERIAL NUMBER		CUSTOMER		SHEET NUMBER		REVISION			
SEE SHEET 3		GENERAL MARKET		1 OF 3		A5			

**NUMERICAL CODE** (Available parts see PART LIST table. Other parts available upon request).

**OPTIONS**

**E 1 6 A 0 6 0 X X M X X X X**

E=Ethernet

Heads:  
1=M12x1  
4P D-Code  
6=RJ45

Wiring  
type

Heads style:  
060=MA M12 STR  
/ RJ45 Plug STR

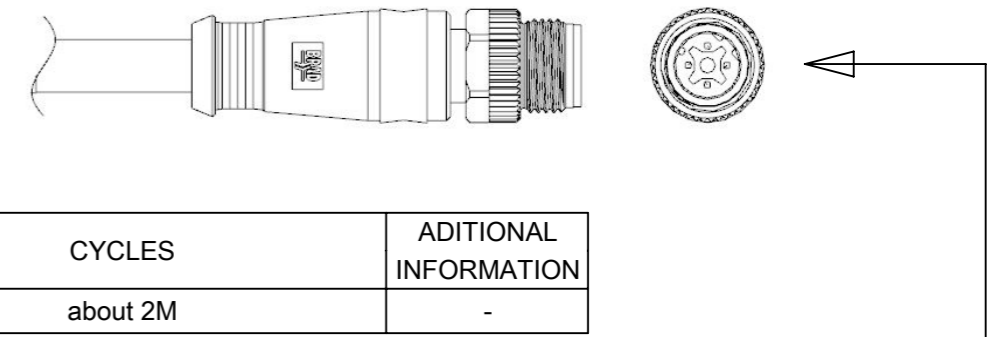
Cable type:  
See cable table

Units:  
M=Meter  
T=10x meter

Length  
Examples:  
005=0.5 units  
010=1 units  
150=15 units

H= 2 pcs. of  
I/D Carrier

FOR CABLE TYPE "12" & "16"  
KNURLED/HEXAGONAL NUT - 1202070090



**CABLE INFORMATION** (for more information see Cable Data Sheet).

CABLE TYPE	CABLE O.D.	APPLICATION	CROSS SECTION	CABLE JACKET	UL	TEMP. RANGE STATIC BENDING RADIUS STATIC	TEMP. RANGE DYNAMIC BENDING RADIUS DYNAMIC	CYCLES	ADDITIONAL INFORMATION
11	∅6.8mm	PROFINET TYPE C	22AWG	PUR GREEN	STYLE 20549	-40°C to +80°C / min.5xO.D.	-20°C to +70°C / min.7.5xO.D.	about 2M	-

TABLE 2

CABLE LENGTH TOLERANCES	
LENGTH	TOLERANCE
0m-1m	+40 mm
>1m-5m	+60 mm
>5m-10m	+80 mm
>10m-20m	+140 mm
>20m-30m	+160 mm
>30m	+1% length

FUNCTIONAL SYMBOLS	THIS DRAWING CONTAINS INFORMATION THAT IS PROPRIETARY TO MOLEX ELECTRONIC TECHNOLOGIES, LLC AND SHOULD NOT BE USED WITHOUT WRITTEN PERMISSION
$\nabla_A = 0$ $\nabla_B = 0$ $\nabla_C = 0$	CURRENT REV DESC: CABLE AND STDS UPDATED <b>molex</b> CSE M12 RJ45 4P DC MA STR MA STR XM PRODUCT CUSTOMER DRAWING EC NO: 672185 DRWN: MDHARMANTI 2021/06/22 CHK'D: RSILLER 2021/09/20 APPR: RSILLER 2021/09/20 INITIAL REVISION: DRWN: JMARSZALEK 2015/07/07 APPR: RSILLER 2020/05/12
DIVISIONAL SYMBOLS	DIMENSION UNITS: mm SCALE: 1:1 GENERAL TOLERANCES (UNLESS SPECIFIED) ANGULAR TOL ± 1.0° 4 PLACES ± 3 PLACES ± 2 PLACES ± 0.05 1 PLACE ± 0.1 0 PLACES ± 0.2
DRAFT WHERE APPLICABLE MUST REMAIN WITHIN DIMENSIONS 	DRAWING: A3-SIZE SERIES: 120108 MATERIAL NUMBER: SEE SHEET 3 CUSTOMER: GENERAL MARKET SHEET NUMBER: 2 OF 3

