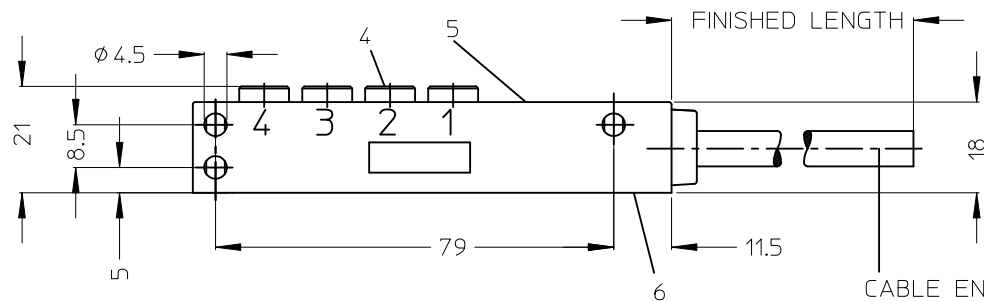
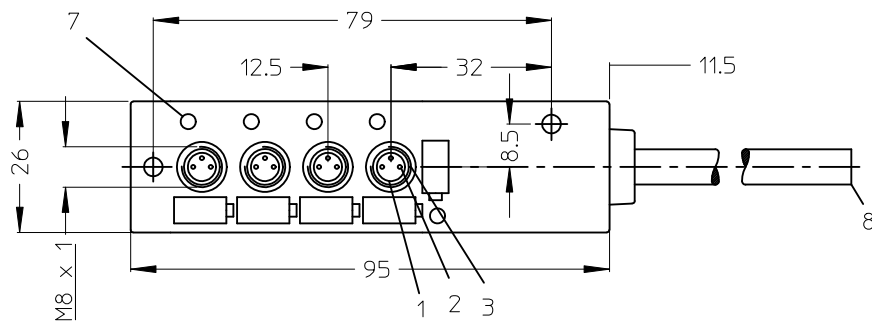
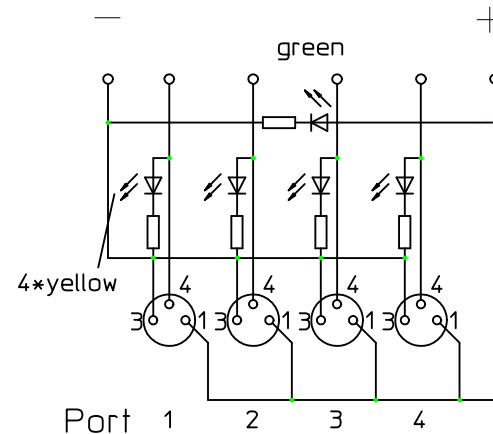


SAP-NUMBER	OLD PART NUMBER	FINISHED LENGTH
1201130004	BEY401P-FBM-05	5 000
1201130005	BEY401P-FBM-10	10 000



CABLE END:
OUTER SHEATH STRIPPED 100 mm
CONDUCTOR STRIP 5 mm



Contact configuration	wire colour	wire mm ²	Port	M8 connector Contact-No.
	brown (+)	0.75	1-4	1
	blue (-)	0.75	1-4	3
	white	0.34	1	4
	green	0.34	2	4
	yellow	0.34	3	4
	grey	0.34	4	4

CLOSURE CAP

SAP no. 1203080677
Quantity: 2

VOLTAGE RATING	10 - 30 VDC
AMPERAGE RATING PER PORT	2AMPS MAX/PORT 6AMPS TOTAL PER MPIS UNIT
PROTECTION	IP67
OPERATING TEMPERATURE	-25°C to 90°C

ITEM	COMPONENT	MATERIAL	FINISH
1	INSERT	PUR	black
2	CONTACT SOCKET	BRASS	GOLD OVER NICKEL
3	O-RING	VITON	---
4	RECEPTACLE SHELL	BRASS	NICKEL PLATED
5	HOUSING	PBT	YELLOW
6	LABEL	ABS	WHITE
7	LENS	PA	CLEAR
8	CABLE	PUR/PVC	---

NEW RELEASE EC NO: WEU2010-0248 DRWN:SBH 2010/01/08 CHKD:APOHL_WEU 2010/01/08 APPR:INSTAUDIGEL 2010/01/29	QUALITY SYMBOLS	= 0 = 0
	DESCRIPTION	
	REV	

	GENERAL TOLERANCES (UNLESS SPECIFIED)	
	mm	INCH
4 PLACES	± ---	± ---
3 PLACES	± ---	± ---
2 PLACES	± ---	± ---
1 PLACE	± 0.3	± ---
ANGULAR ± ---°		
DRAFT WHERE APPLICABLE MUST REMAIN WITHIN DIMENSIONS		

DIMENSION STYLE	
MM ONLY	
DRAWN BY	DATE
SBH	2010/01/08
CHECKED BY	DATE
APOHL_WEU	2010/01/08
APPROVED BY	DATE
INSTAUDIGEL	2010/01/29
MATERIAL NO.	
SEE TABLE	
SIZE	A3

SCALE	DESIGN UNITS	THIRD ANGLE PROJECTION
	METRIC	
TITLE		
M8-MPIS 4 PORT CABLE 3 POL STRAIGHT OUTLINE		
MOLEX INCORPORATED		
DOCUMENT NO.	SHEET NO.	
SD-120113-011	1 OF 1	
THIS DRAWING CONTAINS INFORMATION THAT IS PROPRIETARY TO MOLEX INCORPORATED AND SHOULD NOT BE USED WITHOUT WRITTEN PERMISSION		