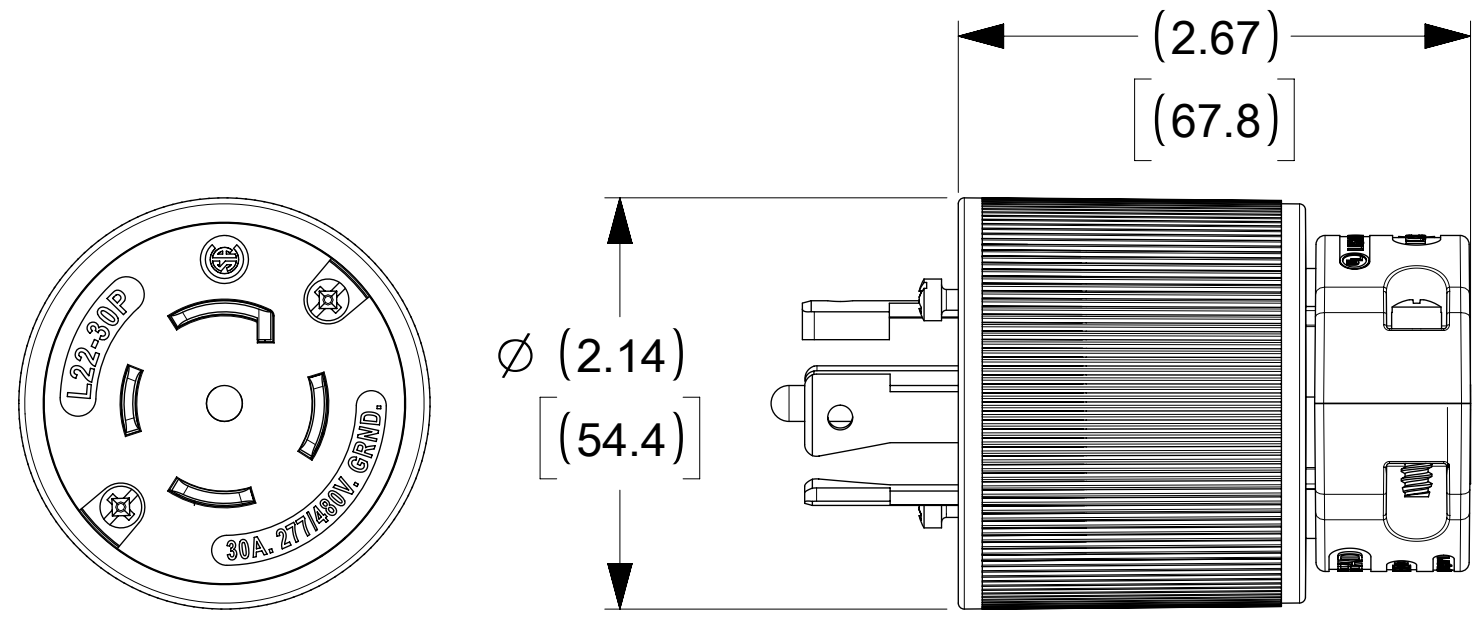
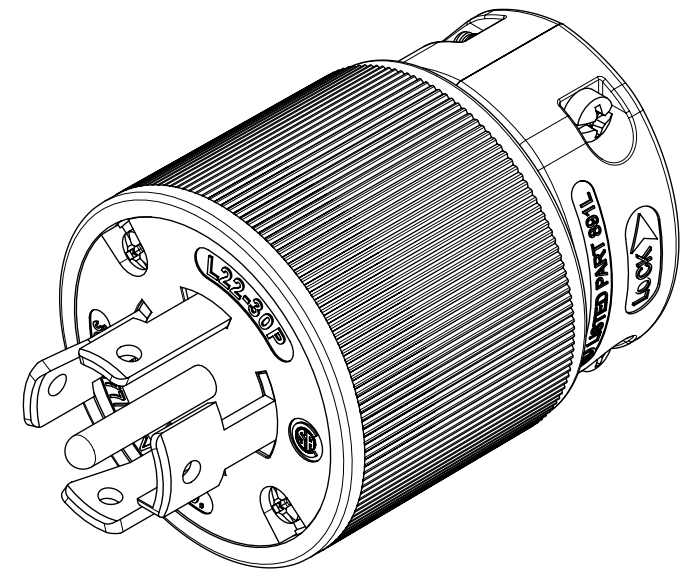
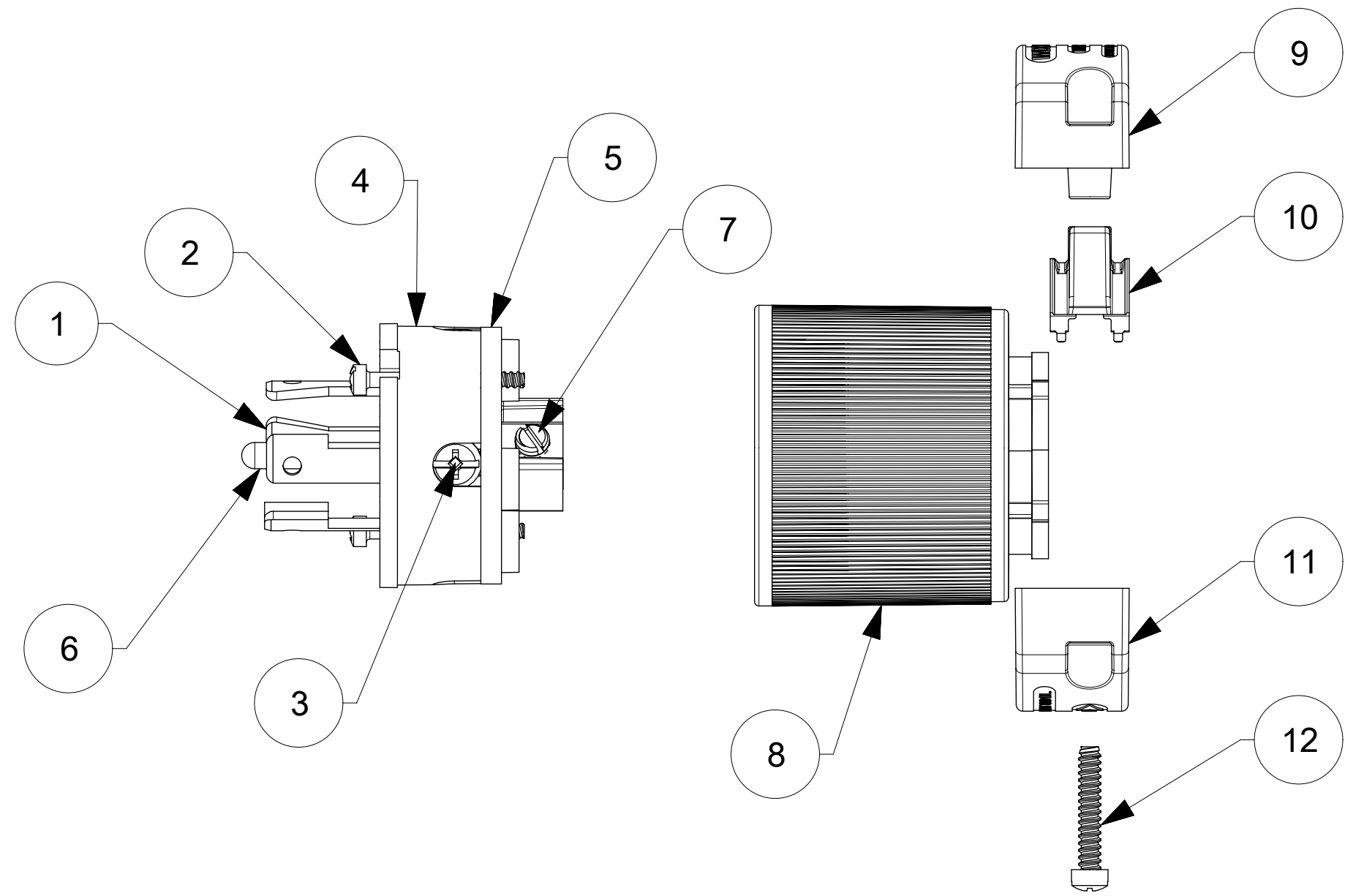
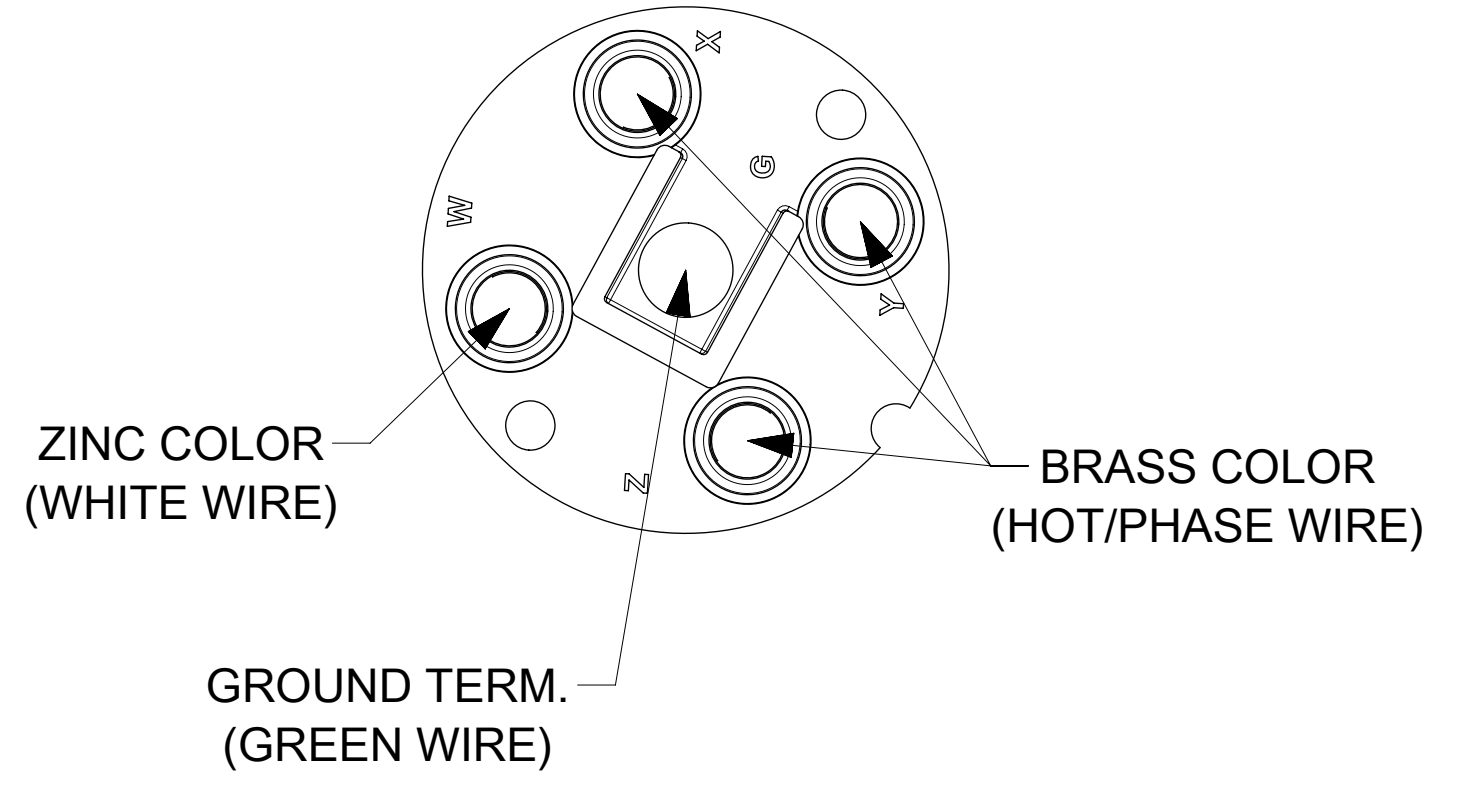


ORDER NO.	WOODHEAD NO.	COLOR
130145-0062	28T82	BLACK
130145-0063	28T82YL	YELLOW



FACE VIEW

WIRING TERMINATION



ITEM NO.	DESCRIPTIONS	MATERIAL	QTY.
1	BLADES	BRASS, NICKEL PLATED	4
2	RETAINING SCREWS	STAINLESS STEEL	2
3	TERMINAL SCREWS/CLAMP ASSEMBLY	BRASS, ZINC PLATED	4
4	INSERT	NYLON	1
5	TERMINAL COVER	POLYCARBONATE	1
6	GROUND PIN	BRASS, NICKEL PLATED	1
7	SET SCREW	STAINLESS STEEL	1
8	HOUSING	NYLON	1
9	CLAMP CORD MALE	NYLON	1
10	CLAMP CORD INSERT	NYLON	1
11	CLAMP CORD FEMALE	NYLON	1
12	RETAINING SCREWS	STAINLESS STEEL	2

FUNCTIONAL SYMBOLS $F_A = 0$ $F_C = 0$ $F_P = 0$ DIVISIONAL SYMBOLS	THIS DRAWING CONTAINS INFORMATION THAT IS PROPRIETARY TO MOLEX ELECTRONIC TECHNOLOGIES, LLC AND SHOULD NOT BE USED WITHOUT WRITTEN PERMISSION		CURRENT REV DESC: NEW RELEASE		
	DIMENSION UNITS	SCALE	EC NO: 628015		
	INCH	NTS	DRWN: VBASUTHKARP	2018/12/10	
	GENERAL TOLERANCES (UNLESS SPECIFIED)		CHK'D: DNGUYEN62	2021/09/20	
4 PLACES	±	MM	INCH	APPR: HKNEELAND	2021/10/29
3 PLACES	±	INITIAL REVISION:			
2 PLACES	±	DRWN: DRAWN BY			
1 PLACE	±	APPR: APPR BY			
0 PLACES	±	0099/99/99			
ANGULAR TOL	± °	0099/99/99			
DRAFT WHERE APPLICABLE MUST REMAIN WITHIN DIMENSIONS		THIRD ANGLE PROJECTION	DRAWING	SERIES	DOCUMENT NUMBER
			C-SIZE	130145	1301450062
		GENERAL MARKET		DOC TYPE DOC PART REVISION	
				PSD 000 A	
				MATERIAL NUMBER CUSTOMER SHEET NUMBER	
				1 OF 1	