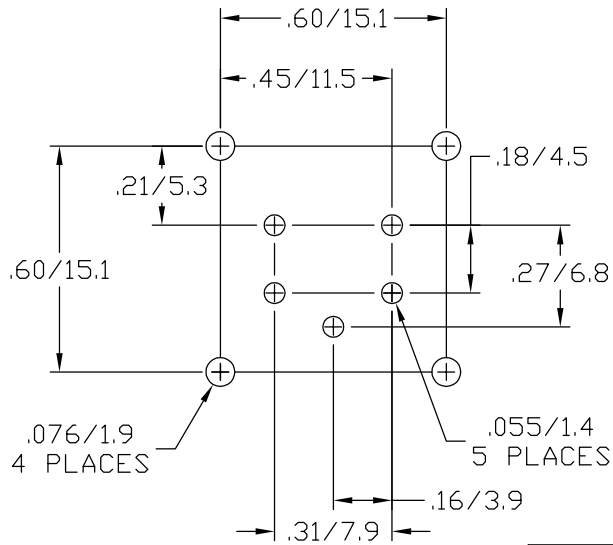
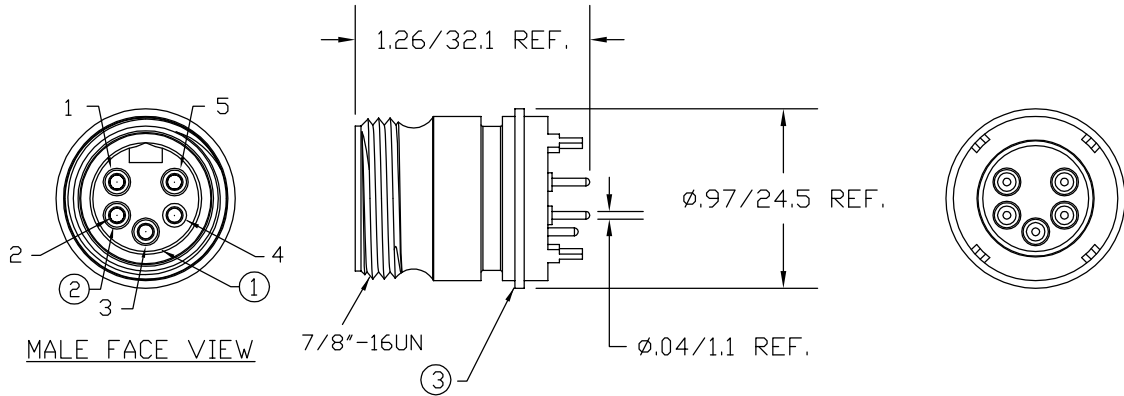


MATERIAL NUMBER	OLD PART NUMBER
130188-0033	67-0065



VOLTAGE RATING	300 VAC/VDC
AMPERAGE RATING	8 AMPS
OPERATING TEMPERATURE	-20°C TO 80°C

ITEM	COMPONENT	MATERIAL	FINISH
1	INSERT	TPE	GRAY
2	CONTACT	COPPER ALLOY	GOLD OVER NICKEL
3	RECEPTACLE SHELL	BRASS	NICKEL PLATED

**RLSD DRAWING**  
 EC NO: WNA2010-0139 8/27/09  
 DRWN: BWOODMAN  
 CHKD: JM  
 APPR: JFMURPHY 2009/08/31  
 REV A

**QUALITY SYMBOLS**

**GENERAL TOLERANCES (UNLESS SPECIFIED)**

	mm	INCH
4 PLACES	±---	±---
3 PLACES	±---	±---
2 PLACES	±---	±.01
1 PLACE	±0.3	±---

ANGULAR ±---°  
**DRAFT WHERE APPLICABLE MUST REMAIN WITHIN DIMENSIONS**

**DIMENSION STYLE IN/MM**  
 DRAWN BY: BW DATE: 2009/08/28  
 CHECKED BY: LH DATE: 2009/08/28  
 APPROVED BY: JFMURPHY DATE: 2009/08/28  
 MATERIAL NO.  
 SEE CHART  
 SIZE A

SCALE: --- DESIGN UNITS: ---  
 THIRD ANGLE PROJECTION  
**TITLE: MINI 5P MALE RECEPTACLE PCB MOUNT**  
**MOLEX INCORPORATED**  
 DOCUMENT NO: SD-130188-001 SHEET NO: 1 OF 1  
 THIS DRAWING CONTAINS INFORMATION THAT IS PROPRIETARY TO MOLEX INCORPORATED AND SHOULD NOT BE USED WITHOUT WRITTEN PERMISSION