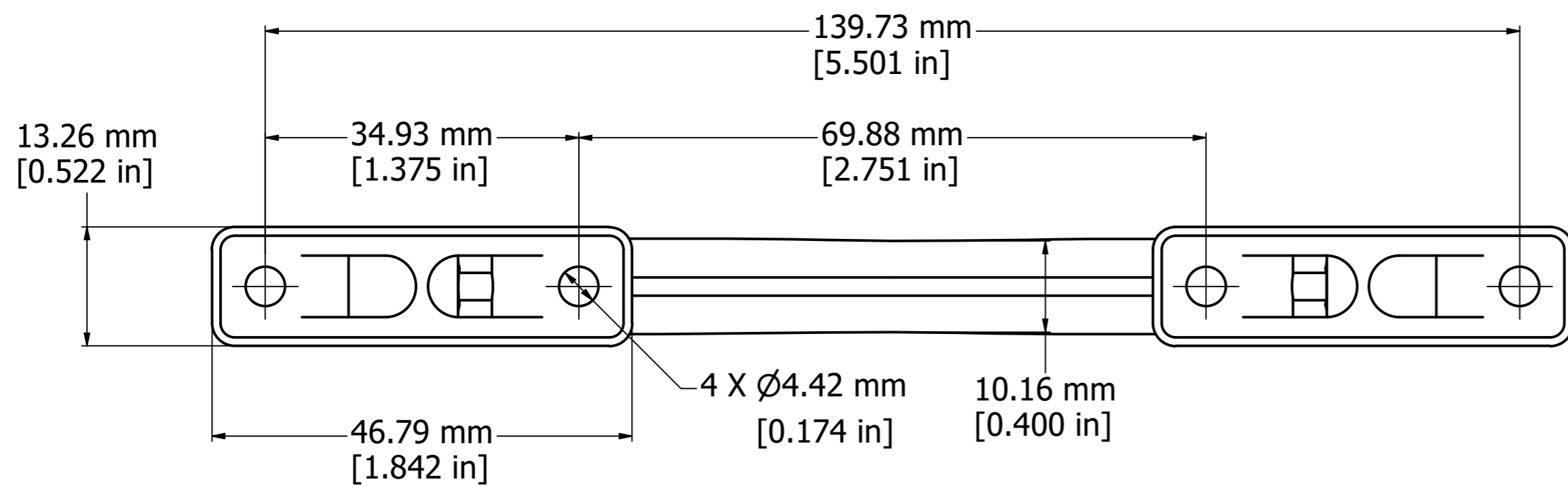


FRONT VIEW



EXPLODED ISOMETRIC VIEW



BOTTOM VIEW

1427F1
Handle Material - Polyethylene
Finish - Textured Black w/ Metal Plated Brackets
Hardware
4 Screws - Flathead Phillips #4 x 1.0"
**note handle sold singly



HAMMOND
MANUFACTURING™

1427F1