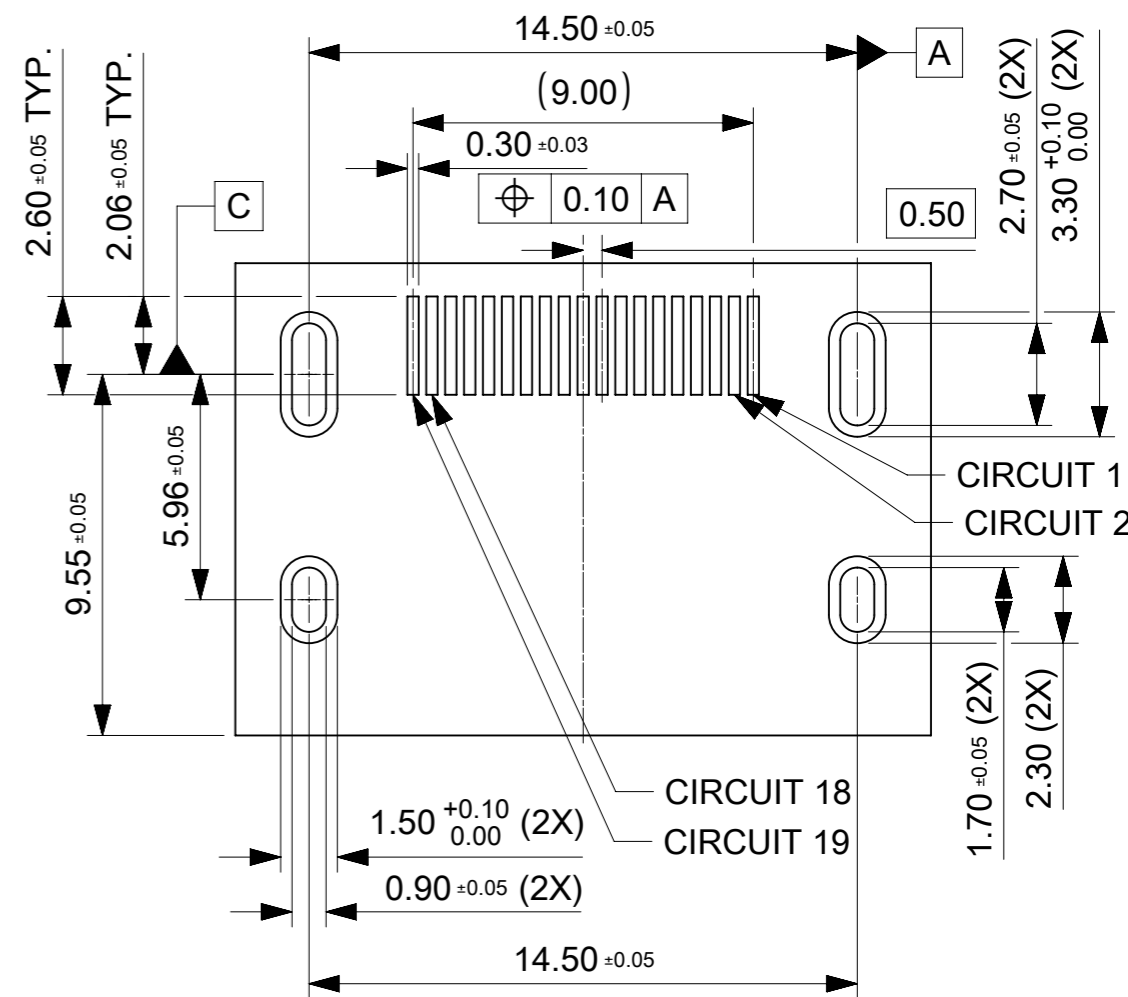
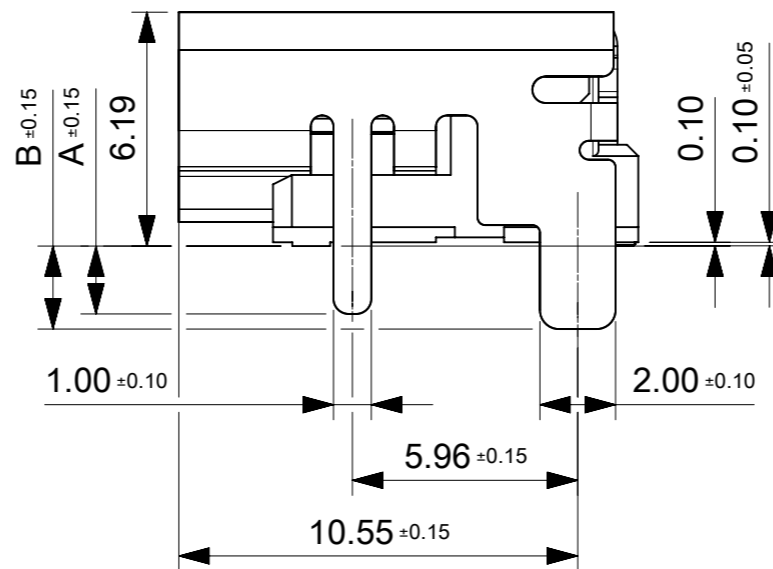
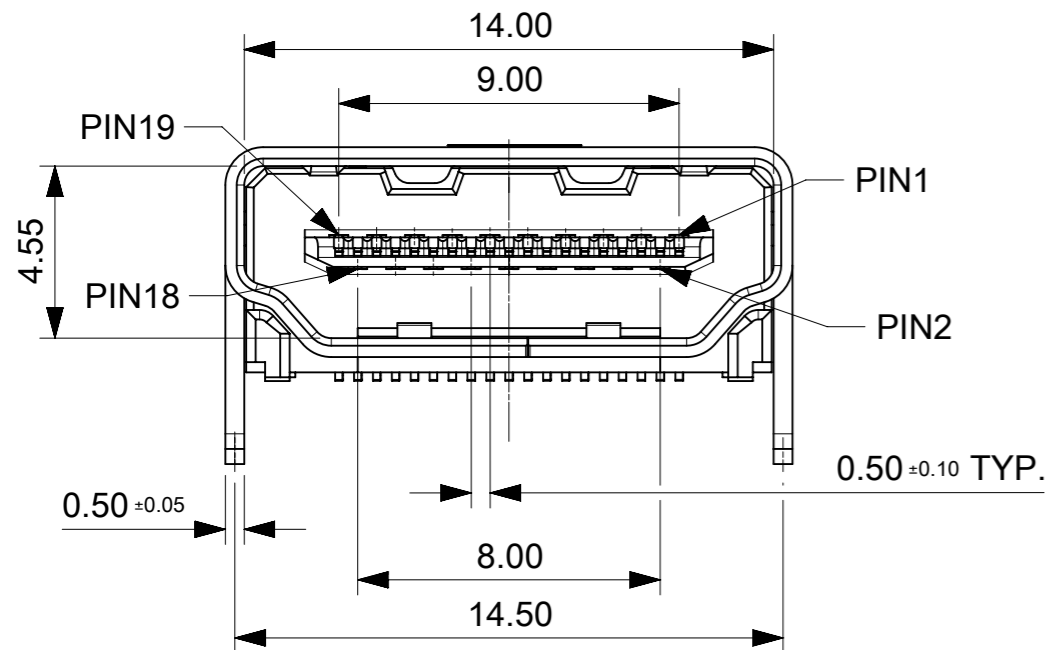
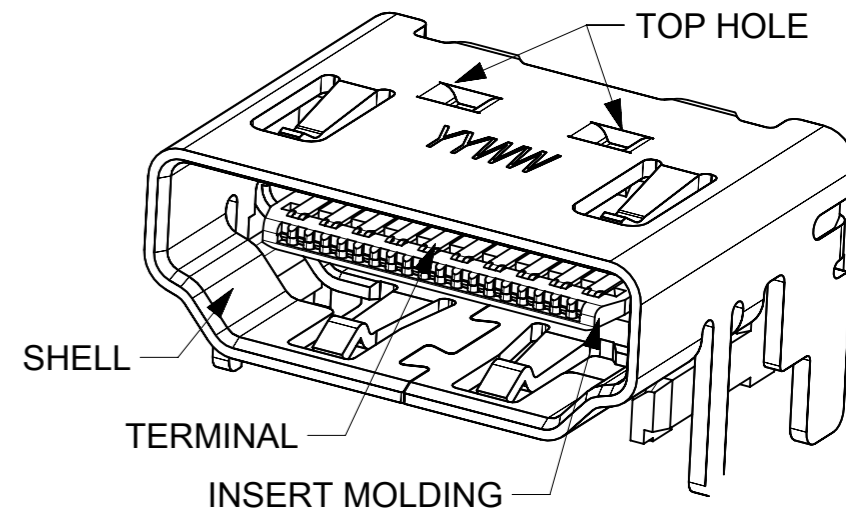
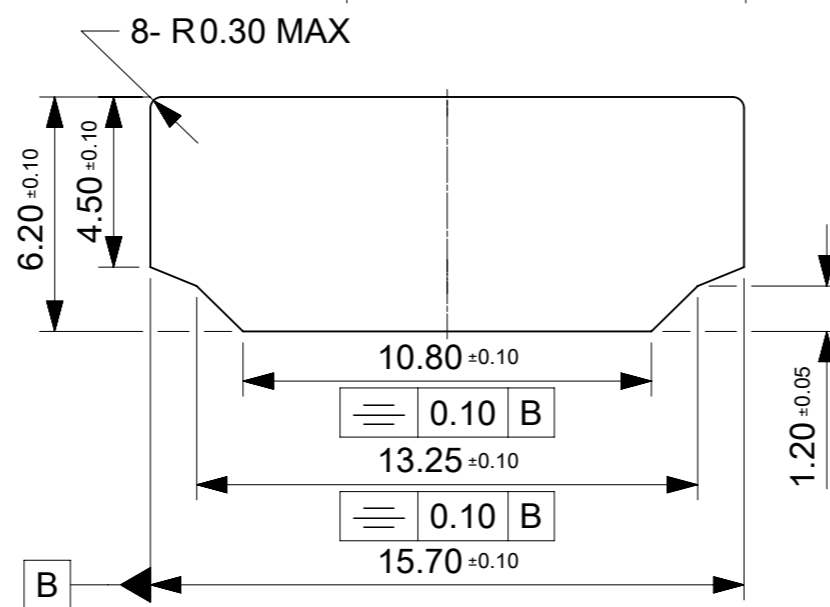
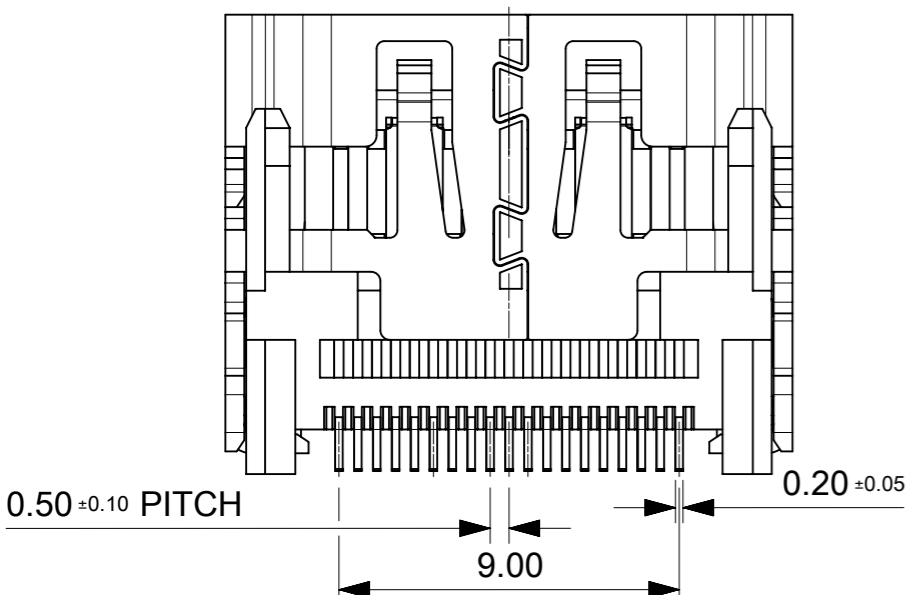


NOTES:

- MATERIAL:
HOUSING: LCP, COLOR: BLACK, UL94V-0.
SHELL: STAINLESS STEEL.
TERMINAL: BRASS, ALLOY.
- PLATING BE SEEN AT SHEET 3.
- COMPLANARITY OF SOLDER TAIL: 0.10mm MAX.
- DATE CODE: YY=YEAR, WW=WEEK.
- PRODUCT SPEC. REFER TO 2086580001(PS).
- PACKAGE SPEC. REFER TO PACKAGE DRAWING 2086589901.
- PLEASE CONTACT YOUR SALES REPRESENTATIVE IF INTENDED FOR AUTOMOTIVE.

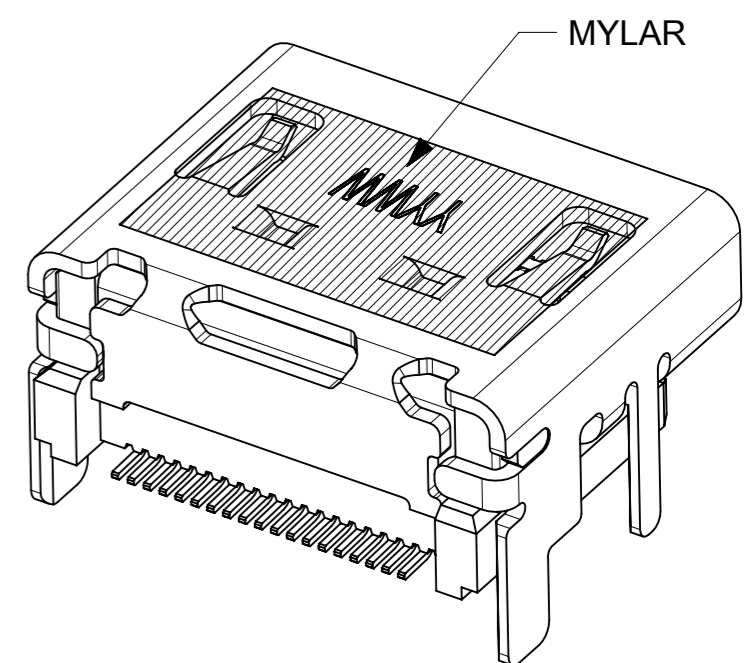
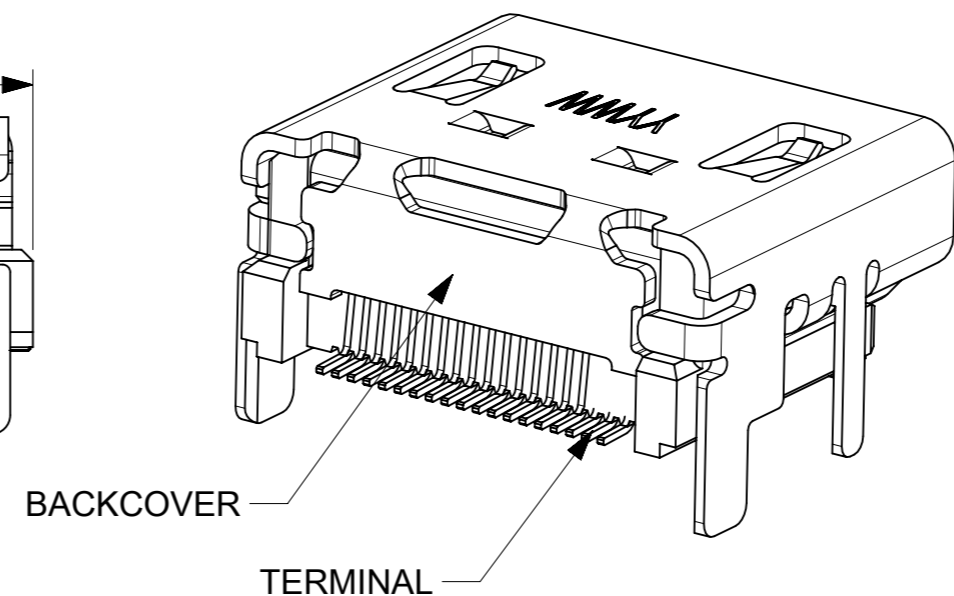
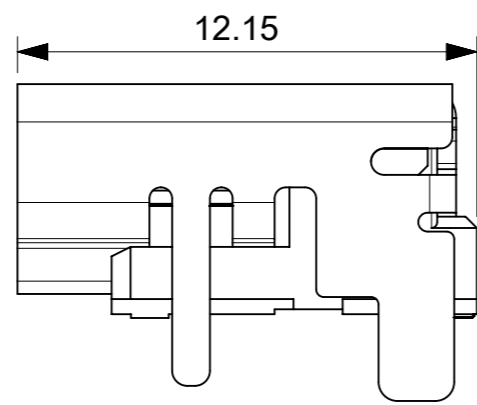
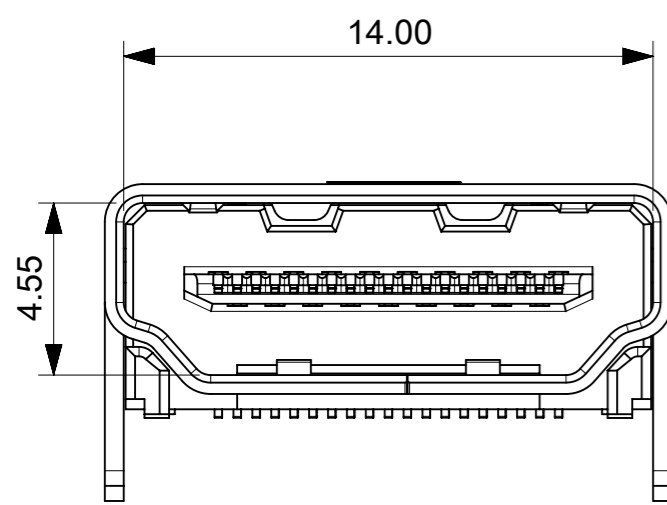
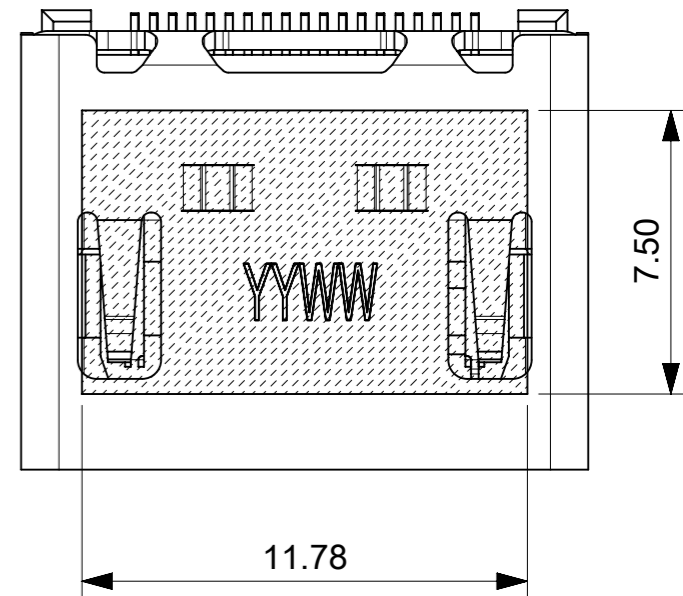
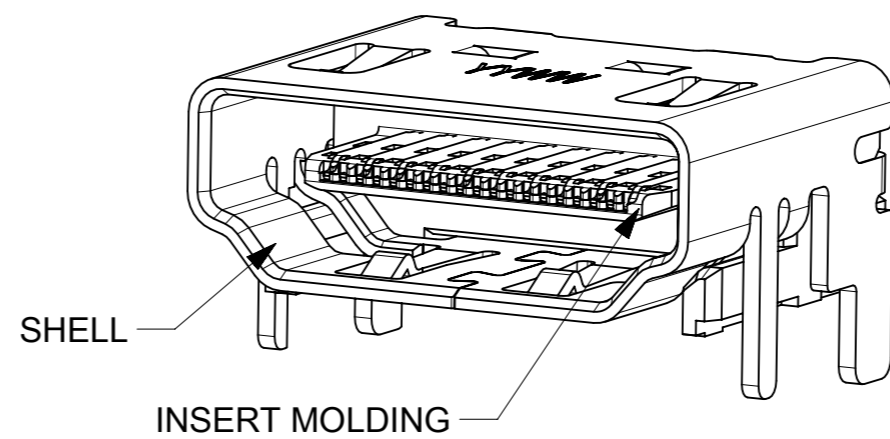
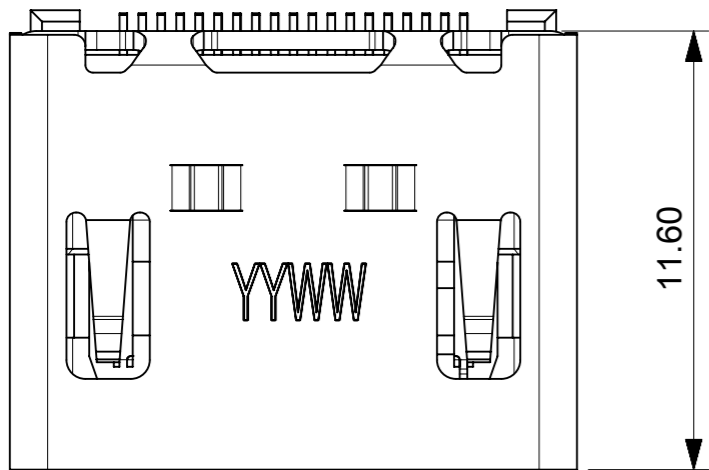


RECOMMENDED PCB LAYOUT
CONNECTOR SIDE ONLY



RECOMMENDED PANEL CUT OUT DIMENSION

THIS DRAWING CONTAINS INFORMATION THAT IS PROPRIETARY TO MOLEX ELECTRONIC TECHNOLOGIES, LLC AND SHOULD NOT BE USED WITHOUT WRITTEN PERMISSION		CURRENT REV DESC:		molex	
DIMENSION UNITS	SCALE				
mm	NTS			HDMI FOR INSERT-MOLD TYPE	
GENERAL TOLERANCES (UNLESS SPECIFIED)				PRODUCT CUSTOMER DRAWING	
ANGULAR TOL ± 3.0°				DOCUMENT NUMBER	
4 PLACES ±				2086581000	
3 PLACES ±				DOC TYPE	
2 PLACES ± 0.25				PSD	
1 PLACE ± 0.25				DOC PART	
0 PLACES ±				000	
DRAFT WHERE APPLICABLE MUST REMAIN WITHIN DIMENSIONS				REVISION	
THIRD ANGLE PROJECTION				A	
DRAWING		SERIES		SHEET NUMBER	
A3-SIZE		208658		1 OF 3	
MATERIAL NUMBER		CUSTOMER			
SEE TABLE		GENERAL MARKET			



THIS IS ONLY FOR 2086581061/1081

NOTES:
 1. THE UNSPECIFIED DIMENSION ARE SAME AS SHEET 1.
 2. PACKAGE SPEC. REFER TO PACKAGE DRAWING 2086589901.

THIS DRAWING CONTAINS INFORMATION THAT IS PROPRIETARY TO MOLEX ELECTRONIC TECHNOLOGIES, LLC AND SHOULD NOT BE USED WITHOUT WRITTEN PERMISSION		CURRENT REV DESC:		molex	
DIMENSION UNITS	SCALE				
mm	NTS			HDMI FOR INSERT-MOLD TYPE	
GENERAL TOLERANCES (UNLESS SPECIFIED)				PRODUCT CUSTOMER DRAWING	
ANGULAR TOL	± 3.0 °			DOCUMENT NUMBER	
4 PLACES	±	EC NO: 668949	2021/11/09	2086581000	
3 PLACES	±	DRWN: XQZHANG	2022/01/20	DOC TYPE	DOC PART
2 PLACES	± 0.25	CHK'D: AYIN	2022/01/20	PSD	000
1 PLACE	± 0.25	APPR: AYIN	2022/01/20	REVISION	
0 PLACES	±	INITIAL REVISION:		A	
DRAFT WHERE APPLICABLE MUST REMAIN WITHIN DIMENSIONS		DRWN: XQZHANG	2021/11/09	MATERIAL NUMBER	
		APPR: AYIN	2022/01/20	CUSTOMER	
		THIRD ANGLE PROJECTION	DRAWING	GENERAL MARKET	
		⊕	A3-SIZE	SHEET NUMBER	
			208658	2 OF 3	

MOLEX P/N	DIMENSION		FEATURE				GOLD PLATING IN CONTACT AREA	SHELL MATERIAL			
	DIM. A	DIM. B	FLANGE	BACK COVER	TOPE HOLES	MYLAR					
208658-1001	1.8	2.2	W/O	WITH	WITH	W/O	GOLD PLATING 0.76 MICROMETER	SUS304			
208658-1051							GOLD FLASH				
208658-1061	1.8	2.2					W/O		WITH	WITH	GOLD PLATING 0.76 MICROMETER
208658-1081											GOLD FLASH
208658-1101	1.45	1.45					W/O		W/O	GOLD PLATING 0.76 MICROMETER	
208658-8131	2.2	2.2								GOLD PLATING 0.76 MICROMETER	

PLATING:

(1) TERMINAL:

CONTACT AREA BE SEEN TABLE AS ABOVE;
 SOLDER TAIL AREA GOLD FLASH PLATING.
 UNDER PLEATING: 1.27 MICROMETER MIN. NICKEL.

(2) SHELL:

1.25~3.75 MICROMETER SOLDERABLE NICKEL PLATING AT SOLDER TAIL AREA
 0.75 MICROMETER MIN. SOLDERABLE NICKEL PLATING AT OTHER AREA.

THIS DRAWING CONTAINS INFORMATION THAT IS PROPRIETARY TO MOLEX ELECTRONIC TECHNOLOGIES, LLC AND SHOULD NOT BE USED WITHOUT WRITTEN PERMISSION										
DIMENSION UNITS	SCALE	CURRENT REV DESC:					molex			
mm	NTS									
GENERAL TOLERANCES (UNLESS SPECIFIED)							HDMI FOR INSERT-MOLD TYPE			
ANGULAR TOL	± 3.0 °						PRODUCT CUSTOMER DRAWING			
4 PLACES	±	EC NO: 668949				DOCUMENT NUMBER				
3 PLACES	±	DRWN: XQZHANG	2021/11/09			2086581000		DOC TYPE	DOC PART	REVISION
2 PLACES	± 0.25	CHK'D: AYIN	2022/01/20			PSD		000	A	
1 PLACE	± 0.25	APPR: AYIN	2022/01/20							
0 PLACES	±	INITIAL REVISION:								
DRAFT WHERE APPLICABLE MUST REMAIN WITHIN DIMENSIONS		THIRD ANGLE PROJECTION	DRAWING	SERIES	MATERIAL NUMBER	CUSTOMER	SHEET NUMBER			
			A3-SIZE	208658	SEE TABLE	GENERAL MARKET	3 OF 3			