

Extension module - PSR-SPP-24DC/URML4/3X1/1X2/B - 2903584

Please be informed that the data shown in this PDF Document is generated from our Online Catalog. Please find the complete data in the user's documentation. Our General Terms of Use for Downloads are valid (<http://phoenixcontact.com/download>)



One or two-channel contact extension for OSSD signals (e.g., light grid), 3 N/O contacts, 1 N/C contact, up to Cat. 4 PL e in accordance with EN ISO 13849, SIL 3 in accordance with EN 62061, pluggable Push-in terminal block, width: 22.5 mm


The figure shows a version with a screw connection

Product Description

The contact extension device is specifically designed for use in conjunction with electrosensitive protective equipment such as light grids. These systems generally have clocked OSSD signals which enable cross circuits in the cabling to be detected. The relay is resistant to the test pulses generated by the electrosensitive protective equipment receiver. Applications up to PL e or SIL 3 can therefore be implemented without the need for additional traceability to the device on the EDM circuit.



Key Commercial Data

| | |
|--------------|---------------------------------------------------------------------------------------------------------|
| Packing unit | 1 pc |
| GTIN |  4 046356 751704 |
| GTIN | 4046356751704 |

Technical data

Note

| | |
|-------------------------|---------------------------------------------------------------------------|
| Utilization restriction | EMC: class A product, see manufacturer's declaration in the download area |
|-------------------------|---------------------------------------------------------------------------|

Dimensions

| | |
|--------|----------|
| Width | 22.5 mm |
| Height | 112 mm |
| Depth | 114.5 mm |

Ambient conditions

| | |
|------------------------------------------------|-----------------------------------------------------|
| Ambient temperature (operation) | -20 °C ... 55 °C |
| Ambient temperature (storage/transport) | -40 °C ... 70 °C |
| Max. permissible relative humidity (operation) | 75 % (on average, 85% infrequently, non-condensing) |
| Max. permissible humidity (storage/transport) | 75 % (on average, 85% infrequently, non-condensing) |

Extension module - PSR-SPP-24DC/URML4/3X1/1X2/B - 2903584

Technical data

Ambient conditions

| | |
|------------------|----------------------------|
| Maximum altitude | ≤ 2000 m (Above sea level) |
|------------------|----------------------------|

Input data

| | |
|---------------------------------------------|--------------------------|
| Nominal input voltage U_N | 24 V DC |
| Input voltage range in reference to U_N | 0.85 ... 1.1 |
| Typical input current at U_N | 70 mA DC |
| Voltage at input/start and feedback circuit | 24 V DC |
| Typical response time | 25 ms |
| Typ. starting time with U_s | 100 ms (automatic start) |
| Typical release time | 10 ms |
| Concurrence | ∞ |
| Recovery time | 1 s |

Output data

| | |
|----------------------------------------------|-----------------------------------------------------|
| Contact type | 3 enabling current paths |
| | 1 signaling current path |
| Contact material | AgSnO ₂ |
| Maximum switching voltage | 250 V |
| Minimum switching voltage | 15 V AC/DC |
| Limiting continuous current | 6 A |
| Inrush current, minimum | 25 mA |
| Sq. Total current | $72 \text{ A}^2 (I_{TH}^2 = I_1^2 + I_2^2 + I_3^2)$ |
| Interrupting rating (ohmic load) max. | 144 W (24 V DC, $\tau = 0 \text{ ms}$) |
| | 288 W (48 V DC, $\tau = 0 \text{ ms}$) |
| | 77 W (110 V DC, $\tau = 0 \text{ ms}$) |
| | 88 W (220 V DC, $\tau = 0 \text{ ms}$) |
| | 1500 VA (250 V AC, $\tau = 0 \text{ ms}$) |
| Maximum interrupting rating (inductive load) | 48 W (24 V DC, $\tau = 40 \text{ ms}$) |
| | 40 W (48 V DC, $\tau = 40 \text{ ms}$) |
| | 35 W (110 V DC, $\tau = 40 \text{ ms}$) |
| | 33 W (220 V DC, $\tau = 40 \text{ ms}$) |
| Switching capacity min. | 0.4 W |
| Mechanical service life | approx. 10^7 cycles |
| Switching capacity (360/h cycles) | 6 A (24 V DC) |
| | 5 A (230 V AC) |
| Output fuse | 10 A gL/gG NEOZED (N/O contact) |
| | 4 A gL/gG NEOZED (Signaling current path) |

General

| | |
|------------------------|--------------------------------------------------------------------------------------|
| Relay type | Electromechanical relay with force-guided contacts in accordance with IEC/EN 61810-3 |
| Nominal operating mode | 100% operating factor |

Extension module - PSR-SPP-24DC/URML4/3X1/1X2/B - 2903584

Technical data

General

| | |
|---------------------------------------------|-------------------|
| Net weight | 209.9 g |
| Mounting position | any |
| Mounting type | DIN rail mounting |
| Degree of protection | IP20 |
| Min. degree of protection of inst. location | IP54 |
| Housing material | Polyamide |
| Housing color | yellow |

Connection data

| | |
|----------------------------------------------------------------------|------------------------------------------------------------------------------|
| Connection method | Push-in connection |
| pluggable | Yes |
| Conductor cross section solid | 0.2 mm ² ... 1.5 mm ² |
| Conductor cross section flexible | 0.2 mm ² ... 1.5 mm ² |
| Conductor cross-section AWG | 24 ... 16 |
| Conductor cross-section flexible with ferrule without plastic sleeve | 0.25 mm ² ... 1.5 mm ² (only together with CRIMPFOX 6) |
| Conductor cross-section flexible with ferrule and plastic sleeve | 0.25 mm ² ... 1.5 mm ² (only together with CRIMPFOX 6) |
| Stripping length | 8 mm |

Safety-related characteristic data

| | |
|---------------------------------------------|-------------------------|
| Stop category in accordance with IEC 60204 | 0 |
| Designation | IEC 61508 - High demand |
| Safety Integrity Level (SIL) | 3 |
| Designation | IEC 61508 - Low demand |
| Safety Integrity Level (SIL) | 3 |
| Designation | EN ISO 13849 |
| Performance level (PL) | e |
| Category | 4 |
| Designation | EN 62061 |
| Safety Integrity Level Claim Limit (SIL CL) | 3 |

Standards and Regulations

| | |
|--------------------------------|----------------------------------------------------------------------------------------------------------------------------|
| Designation | Air clearances and creepage distances between the power circuits |
| Standards/regulations | DIN EN 50178/VDE 0160 |
| Rated insulation voltage | 250 V |
| Rated surge voltage/insulation | 4 kV / Basic isolation, (safe isolation, reinforced insulation and 6 kV between input circuit and enabling current paths.) |
| Degree of pollution | 2 |
| Overvoltage category | III |
| Shock | 15g |
| Vibration (operation) | 10 Hz ... 150 Hz, 2g |

Environmental Product Compliance

| | |
|------------|----------------|
| REACH SVHC | Lead 7439-92-1 |
|------------|----------------|

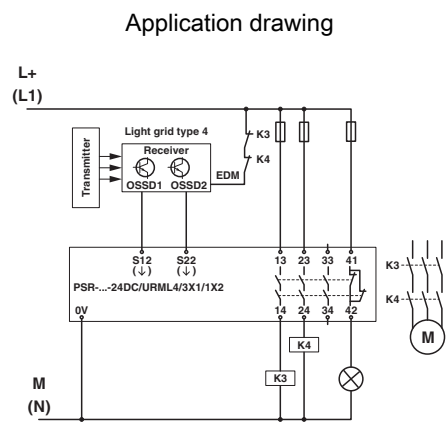
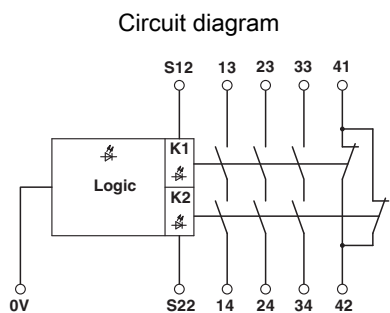
Extension module - PSR-SPP-24DC/URML4/3X1/1X2/B - 2903584

Technical data

Environmental Product Compliance

| | |
|------------|-----------------------------------------------------------------------------------------------------|
| China RoHS | Environmentally Friendly Use Period = 50 years |
| | For details about hazardous substances go to tab "Downloads", Category "Manufacturer's declaration" |

Drawings



Classifications

eCl@ss

| | |
|---------------|----------|
| eCl@ss 10.0.1 | 27371819 |
| eCl@ss 11.0 | 27371819 |
| eCl@ss 4.0 | 40020600 |
| eCl@ss 4.1 | 40020600 |
| eCl@ss 5.0 | 27371900 |
| eCl@ss 5.1 | 27371900 |
| eCl@ss 6.0 | 27371800 |
| eCl@ss 7.0 | 27371819 |
| eCl@ss 9.0 | 27371819 |

ETIM

| | |
|----------|----------|
| ETIM 3.0 | EC001449 |
| ETIM 4.0 | EC001449 |
| ETIM 6.0 | EC001449 |
| ETIM 7.0 | EC001449 |

UNSPSC

| | |
|---------------|----------|
| UNSPSC 6.01 | 30211901 |
| UNSPSC 7.0901 | 39121501 |
| UNSPSC 11 | 39121501 |
| UNSPSC 12.01 | 39121501 |

Extension module - PSR-SPP-24DC/URML4/3X1/1X2/B - 2903584

Classifications

UNSPSC

| | |
|-------------|----------|
| UNSPSC 13.2 | 39121501 |
| UNSPSC 18.0 | 39122205 |
| UNSPSC 19.0 | 39122205 |
| UNSPSC 20.0 | 39122205 |
| UNSPSC 21.0 | 39122205 |

Approvals

Approvals

Approvals

UL Listed / cUL Listed / Functional Safety / Functional Safety / Functional Safety / UL Listed / cUL Listed / Functional Safety / EAC / EAC

Ex Approvals

Approval details

| | | | |
|-----------|--|-------------------------------------------------------------------------------------------------------------------------------------------------------|---------------|
| UL Listed | | http://database.ul.com/cgi-bin/XYV/template/LISEXT/1FRAME/index.htm | FILE E 140324 |
|-----------|--|-------------------------------------------------------------------------------------------------------------------------------------------------------|---------------|

| | | | |
|------------|--|-------------------------------------------------------------------------------------------------------------------------------------------------------|---------------|
| cUL Listed | | http://database.ul.com/cgi-bin/XYV/template/LISEXT/1FRAME/index.htm | FILE E 140324 |
|------------|--|-------------------------------------------------------------------------------------------------------------------------------------------------------|---------------|

| | | | |
|-------------------|--|--|-------------------|
| Functional Safety | | | 01/205/5265.01/17 |
|-------------------|--|--|-------------------|


| | | | |
|-------------------|--|--|-----------------|
| Functional Safety | | | 968/EZ409.02/17 |
|-------------------|--|--|-----------------|

| | | | |
|-------------------|--|--|-----------------|
| Functional Safety | | | 968/EZ409.02/17 |
|-------------------|--|--|-----------------|


| | | | |
|-----------|--|-------------------------------------------------------------------------------------------------------------------------------------------------------|---------------|
| UL Listed | | http://database.ul.com/cgi-bin/XYV/template/LISEXT/1FRAME/index.htm | FILE E 140324 |
|-----------|--|-------------------------------------------------------------------------------------------------------------------------------------------------------|---------------|


Extension module - PSR-SPP-24DC/URML4/3X1/1X2/B - 2903584

Approvals

| | | | |
|------------|-----------------------------------------------------------------------------------|-------------------------------------------------------------------------------------------------------------------------------------------------------|---------------|
| cUL Listed |  | http://database.ul.com/cgi-bin/XYV/template/LISEXT/1FRAME/index.htm | FILE E 140324 |
|------------|-----------------------------------------------------------------------------------|-------------------------------------------------------------------------------------------------------------------------------------------------------|---------------|

| | | | |
|-------------------|-----------------------------------------------------------------------------------|--|-------------------|
| Functional Safety |  | | 01/205/5265.01/17 |
|-------------------|-----------------------------------------------------------------------------------|--|-------------------|

| | | | |
|-----|-----------------------------------------------------------------------------------|--|--------------------------|
| EAC |  | | RU C- DE.A*30.B.01082 |
|-----|-----------------------------------------------------------------------------------|--|--------------------------|

| | | | |
|-----|-----------------------------------------------------------------------------------|--|--------------------------|
| EAC |  | | RU C- DE.A*30.B.01082 |
|-----|-----------------------------------------------------------------------------------|--|--------------------------|

Phoenix Contact 2021 © - all rights reserved
<http://www.phoenixcontact.com>

PHOENIX CONTACT GmbH & Co. KG
Flachsmarktstr. 8
32825 Blomberg
Germany
Tel. +49 5235 300
Fax +49 5235 3 41200
<http://www.phoenixcontact.com>