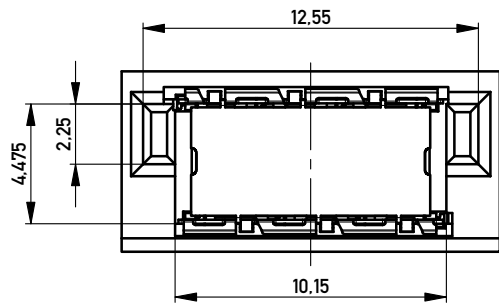
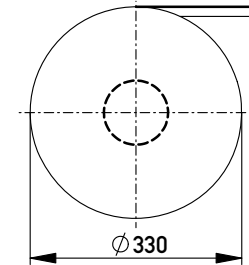
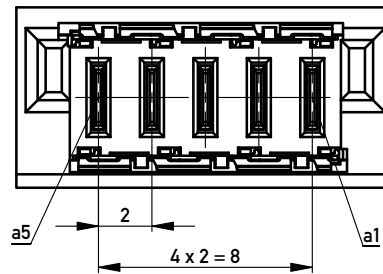


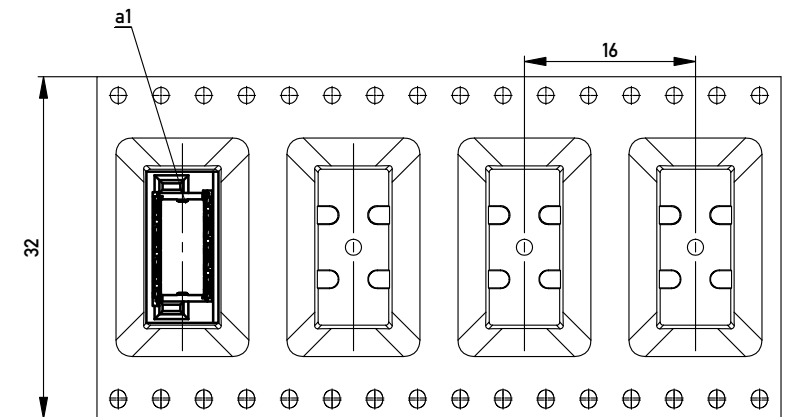
Verpackt in Gurtverpackung
Tape on Reel Packaging
Verpackungseinheit: 400 Stück
Packaging unit: 400 pcs



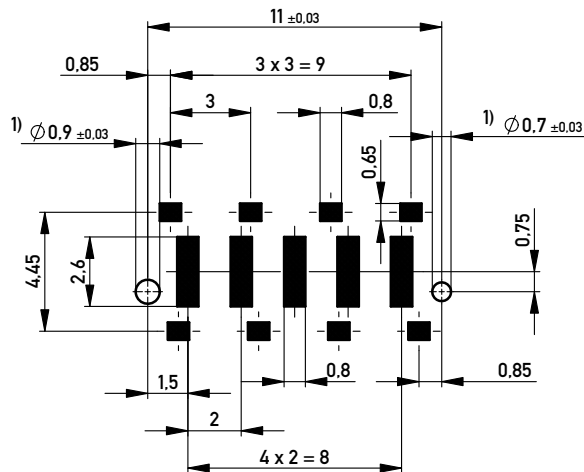
ohne Ansaughaube
without hood



Abspulrichtung - Reel off Direction



Leiterplatten-Layout Vorschlag / PCB-Layout proposal



1) Durchmesser des Bohrers / Drill tool

Anforderungsstufe 1
Performance Level 1

Kontaktbereich vergoldet
Mating Area gold plating

Anschlussbereich verzinkt 4-6µm
Terminal Area 4-6µm tin plating

Koplanarität der Anschlüsse ≤ 0,1mm
Coplanarity Area of Termination ≤ 0,1mm

| | | | | |
|--------------|--|----------------------|--|------------------------------|
| Information: | Tolerances | All Dimensions in mm | Scale | 5:1 |
| | All rights reserved. Only for Information. To ensure that this is the latest version of this drawing, please contact one of the ERNI companies before using. | | Subject to modification without prior notice. Drawing will not be updated. | |
| e | Index | 07.09.2012 | Date | |
| | www.ERNI.com | | Designation | M01 MSPEED Blind Mate PM SMD |
| ERNI | | 354275 | I | |
| Class | | MSPEED | A3 | |

Copyright by ERNI GmbH. Proprietary notice pursuant to ISO 9006 to be observed.