

NO: IDM-018 **PRODUCT: 3G3DV Series Inverters**
DATE: August 2015 **TYPE: Discontinuation Notice**

3G3DV Inverter Family will be Discontinued *Replace with Alternate Solution 3G3RX*

Last Time Purchase Date: October 1, 2015

Discontinuation Date: November 1, 2015

There are no direct drop-in replacements at this time. An alternate solution will be with the RX inverter family. A list of current DV product prefixes are listed below with a comparable power range with the RX inverter family. Additional features that are in the DV product suffix can be identified in the part number keys that follow for the DV and RX inverter families.



Affected Parts

Discontinued Product	Alternate Solution
3G3DV-A2002	3G3RX-A2004-V1
3G3DV-A2004	3G3RX-A2004-V1
3G3DV-A2005	3G3RX-A2007-V1
3G3DV-A2007	3G3RX-A2007-V1
3G3DV-A2011	3G3RX-A2015-V1
3G3DV-A2015	3G3RX-A2015-V1
3G3DV-A2022	3G3RX-A2022-V1
3G3DV-A2030	3G3RX-A2037-V1
3G3DV-A2037	3G3RX-A2037-V1
3G3DV-A2055	3G3RX-A2055-V1
3G3DV-A2075	3G3RX-A2075-V1
3G3DV-A2110	3G3RX-A2110-V1
3G3DV-A2150	3G3RX-A2150-V1
3G3DV-A2185	3G3RX-A2185-V1
3G3DV-A2220	3G3RX-A2220-V1
3G3DV-A2300	3G3RX-A2300-V1
3G3DV-A2370	3G3RX-A2370-V1
3G3DV-A4004	3G3RX-A4004-V1
3G3DV-A4005	3G3RX-A4007-V1

Affected Parts (continued)

Discontinued Product	Alternate Solution
3G3DV-A4007	3G3RX-A4007-V1
3G3DV-A4011	3G3RX-A4015-V1
3G3DV-A4015	3G3RX-A4015-V1
3G3DV-A4022	3G3RX-A4022-V1
3G3DV-A4030	3G3RX-A4037-V1
3G3DV-A4040	3G3RX-A4037-V1
3G3DV-A4055	3G3RX-A4055-V1
3G3DV-A4075	3G3RX-A4075-V1
3G3DV-A4110	3G3RX-A4110-V1
3G3DV-A411K	3G3RX-B411K-V1
3G3DV-A413K	3G3RX-B413K-V1
3G3DV-A4150	3G3RX-A4150-V1
3G3DV-A416K	No replacement
3G3DV-A4185	3G3RX-A4185-V1
3G3DV-A420K	No replacement
3G3DV-A4220	3G3RX-A4220-V1
3G3DV-A4300	3G3RX-A4300-V1
3G3DV-A4370	3G3RX-A4370-V1
3G3DV-A4450	3G3RX-A4450-V1
3G3DV-A4550	3G3RX-A4550-V1
3G3DV-A4750	3G3RX-B4750-V1
3G3DV-A4900	3G3RX-B4900-V1
3G3DV-C411K	3G3RX-B411K-V1
3G3DV-C413K	3G3RX-B413K-V1
3G3DV-C416K	No replacement
3G3DV-C420K	No replacement
3G3DV-C4900	3G3RX-B4900-V1
3G3DV-D411K	No replacement
3G3DV-D413K	No replacement
3G3DV-D416K	No replacement

Omron 3G3DV "aDVanced AC Drive" part number key

3G3DV-12345-6789

1: Environmental protection

- A → IP20/chassis drive
- B → IP00 /open chassis
- C → IP21/NEMA1
- D → IP54/NEMA12
- E → IP66/NEMA 4

2: Rated voltage

- 2 → 230 VAC 3 phase
- 4 → 460 VAC 3 phase
- 5 → 575 VAC 3 phase for 1 to 100HP
- 6 → 690 VAC 3 phase for 125 and up

3 4 5: Rated power in kW

Type	Rating kW	Type	Rating kW
002	0.25	550	55.0
004	0.37	750	75.0
005	0.55	900	90.0
007	0.75	11K	110
011	1.1	13K	132
015	1.5	16K	160
022	2.2	20K	200
030	3.0	25K	250
037	3.7	31K	315
040	4.0	35K	355
055	5.5	40K	400
075	7.5	45K	450
110	11.0	50K	500
150	15.0	56K	560
185	18.5	63K	630
220	22.0	71K	710
300	30.0	80K	800
370	37.0	90K	900
450	45.0	10M	1000

6: Internal Transistor Brake

- 0 → w/o brake
- B → w / brake

7: PCB coated

- 0 → w/o coating
- C → w / coating

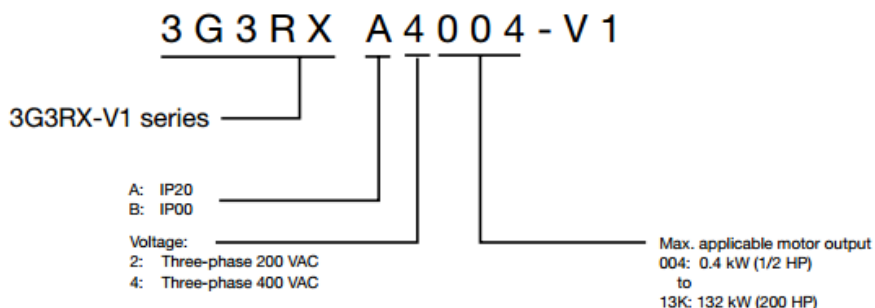
8: input options

- 0 → w/o options
- 1 → Mains disconnect
- 2 → w/ load sharing
- 3 → w / fuses
- 4 → w / fuses w/ load sharing
- 5 → Mains disconnect w / fuses
- 6 → Mains disconnect w/ load sharing
- 7 → Mains disconnect w / fuses w/ load sharing

9: RFI filter

- 0 → w/o RFI Filter
- 1 → w / RFI Filter type A2
- 2 → w / RFI Filter type A1

Type Designation



200 V class

Three-phase 3G3RX-□-V1		A2004	A2007	A2015	A2022	A2037	A2055	A2075	A2110	A2150	A2185	A2220	A2300	A2370	A2450	A2550	
Applicable motor capacity ¹	kW	0.4	0.75	1.5	2.2	3.7	5.5	7.5	11	15	18.5	22	30	37	45	55	
	HP	1/2	1	2	3	5	7 1/2	10	15	20	25	30	40	50	60	75	
Output characteristics	Inverter capacity kVA	200 V	1.0	1.7	2.5	3.6	5.7	8.3	11.0	15.9	22.1	26.3	32.9	41.9	50.2	63.0	76.2
		240 V	1.2	2.0	3.1	4.3	6.8	9.9	13.3	19.1	26.6	31.5	39.4	50.2	60.2	75.6	91.4
	Rated output current (A)	3.0	5.0	7.5	10.5	16.5	24	32	46	64	76	95	121	145	182	220	
	Max. output voltage	Proportional to input voltage: 0 to 240 V															
Max. output frequency	400 Hz																
Power supply	Rated input voltage and frequency	3-phase 200 to 240 V 50/60 Hz															
	Allowable voltage fluctuation	-15% to +10%															
	Allowable frequency fluctuation	5%															
Braking	Regenerative braking	Internal BRD circuit (external discharge resistor)												External regenerative braking unit			
	Minimum connectable resistance	50	50	35	35	35	16	10	10	7.5	7.5	5					
Protective structure	IP20																
Cooling method	Forced air cooling																

Note: 1. Based on a standard 3-Phase standard motor.

400 V class

Three-phase 3G3RX-□-V1		A4004	A4007	A4015	A4022	A4037	A4055	A4075	A4110	A4150	A4185	A4220	A4300	A4370	A4450	A4550	B4750	B4900	B411K	B413K	
Applicable motor capacity ¹	kW	0.4	0.75	1.5	2.2	4.0	5.5	7.5	11	15	18.5	22	30	37	45	55	75	90	110	132	
	HP	1/2	1	2	3	5	7 1/2	10	15	20	25	30	40	50	60	75	100	125	150	200	
Output characteristics	Inverter capacity kVA	400 V	1.0	1.7	2.5	3.6	6.2	9.7	13.1	17.3	22.1	26.3	33.2	40.1	51.9	63.0	77.6	103.2	121.9	150.3	180.1
		480 V	1.2	2.0	3.1	4.3	7.4	11.6	15.8	20.7	26.6	31.5	39.9	48.2	62.3	75.6	93.1	123.8	146.3	180.4	216.1
	Rated output current (A)	1.5	2.5	3.8	5.3	9.0	14	19	25	32	38	48	58	75	91	112	149	176	217	260	
	Max. output voltage	Proportional to input voltage: 0 to 480 V																			
	Max. output frequency	400 Hz																			
Power supply	Rated input voltage and frequency	3-phase 380 to 480 V 50/60 Hz																			
	Allowable voltage fluctuation	-15% to +10%																			
	Allowable frequency fluctuation	5%																			
Braking	Regenerative braking	Internal BRD circuit (external discharge resistor)											External regenerative braking unit								
	Minimum connectable resistance	100	100	100	100	70	70	35	35	24	24	20									
Protective structure	IP20																IP00				
Cooling method	Forced air cooling																				

Note: 1. Based on a standard 3-Phase standard motor.

Reference Documentation

Document name	Media	Publication number
3G3DV AC Drives Brochure	PDF	I39I-E-01
3G3DV Series AC Drives Operating Instructions	PDF	IDV01-E3-1
3G3DV Series AC Drives High Power Operating Instructions Manual	PDF	IDV02-E3-1
3G3DV AC Drives Programming Guide	PDF	IDV03-E3-1
3G3DV AC Drives Design Guide, Part 1	PDF	IDV04-E3-1A
3G3DV AC Drives Design Guide, Part 2	PDF	IDV04-E3-1B

Specifications and prices in this product news are as of the issue date and are subject to change without notice. Only main changes in specifications are described in this document. Please be sure to read the relevant catalogs, datasheets, product specifications, instructions, and manuals for precautions and necessary information when using products.