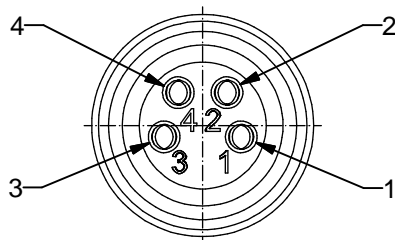


**Technical specification:**

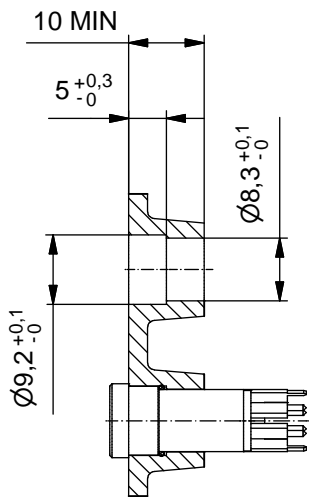
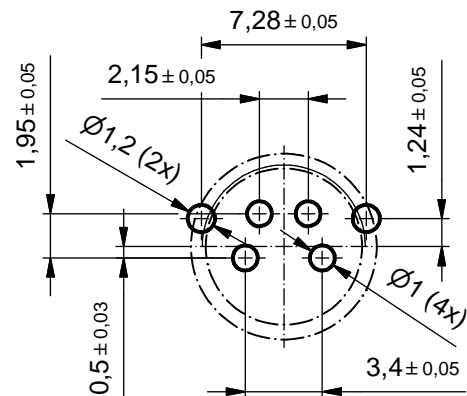
Rated voltage: IEC 61076-2-104	4pos 30 V
Current rating: IEC 61076-2-104	3 A at 40°C
Insulation resistance: IEC 60512	>=100 MΩ
Pollution degree: IEC 60664-1	3/2
Degree of protection: IEC 60529	IP 67, in mated condition
Temperature range: IEC 60664-1	-30°C ... +85°C
Mating cycles: IEC 60512-9a	>=100

**Materials:**

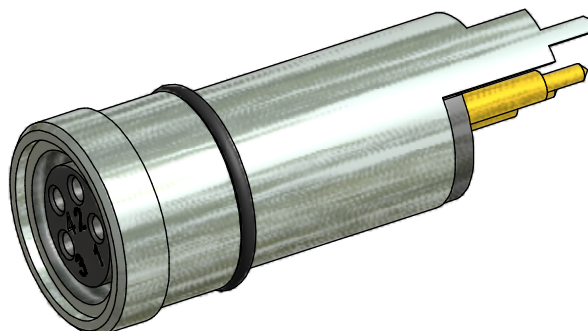
Contact:	CuZn
Contact plating:	Nickel, gold plated
Contact carrier:	TPU GF, UL 94
Screen bushing:	CuZn, nickel plated
Sealing:	NBR



Pin Layout PCB



Installation Hole



Part no:	Description:
42-01038	SAL - 8S - EKVM4 - P

DO NOT ALTER CAD DRAWING BY HAND Directive 2002/95/EC RoHS compliant	Index: a 11.03.11 Mkf Ä3938 Installation Hole added, data sheet modified	dim. in mm	title: <b>Female insert M8x1 axial print, Standard, for splitter</b>
	tolerance: ISO 2768-m	date name drawn 23.10.09 Mankopf appd. 23.10.09 Fromm	
	THIS DRAWING MAY NOT BE COPIED OR REPRODUCED IN ANY WAY, AND MAY NOT BE PASSED ON TO A THIRD PARTY WITHOUT WRITTEN PERMISSION. OWNERSHIP AND COPYRIGHT OF CONEC GmbH	<b>CONEC</b> ®	part no: see table