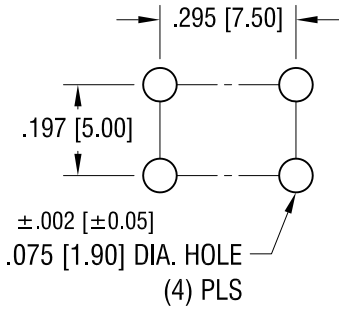
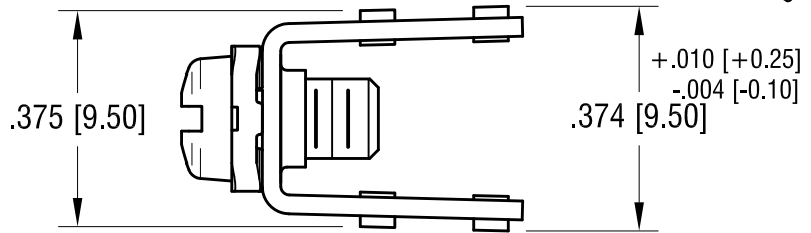
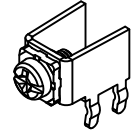


THIS DOCUMENT IS THE PROPERTY OF KEYSTONE ELECTRONICS CORP. AND SHALL NOT BE REPRODUCED, DISTRIBUTED OR USED AS A BASIS FOR MANUFACTURE WITHOUT PRIOR WRITTEN PERMISSION FROM KEYSTONE ELECTRONICS CORP.

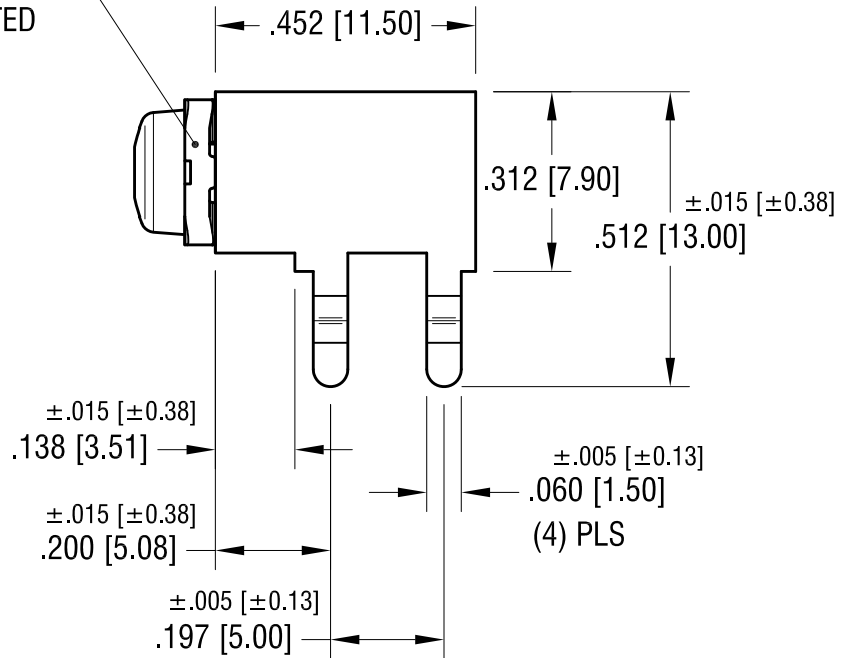
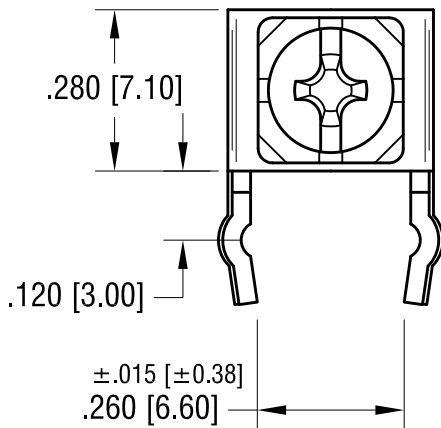
**MOUNTING DETAIL**



**ACTUAL SIZE**



COMBINATION  
SEMS SCREW  
M3 x 0.5  
CAPTIVATED



**NOTE:**

1. TERMINAL:  
MAT'L - .032 [0.81] TH'K BRASS, MATTE TIN PLATE
2. COMBINATION M3 x 0.5 SEMS SCREW CAPTIVATED  
MAT'L - STEEL, NICKEL PLATE

**KEYSTONE ELECTRONICS CORP.**

www.keyelco.com • ASTORIA, N.Y. 11105-2017 • Tel (718) 956-8900

PART NAME		PC METRIC SCREW TERMINAL	
MATERIAL		AS NOTED	
FINISH	AS NOTED	DRN BY	NT
		APP'D	LN
		DATE	2.16.16
		SCALE	3X
TOLERANCES	INCH [MM]	CODE	DWG NO.
DECIMAL	± .010 [± 0.25]	C	7695-SEMS
ANGULAR	± 1°		
UNLESS OTHERWISE SPECIFIED			

DATE	DESCRIPTION	REV.