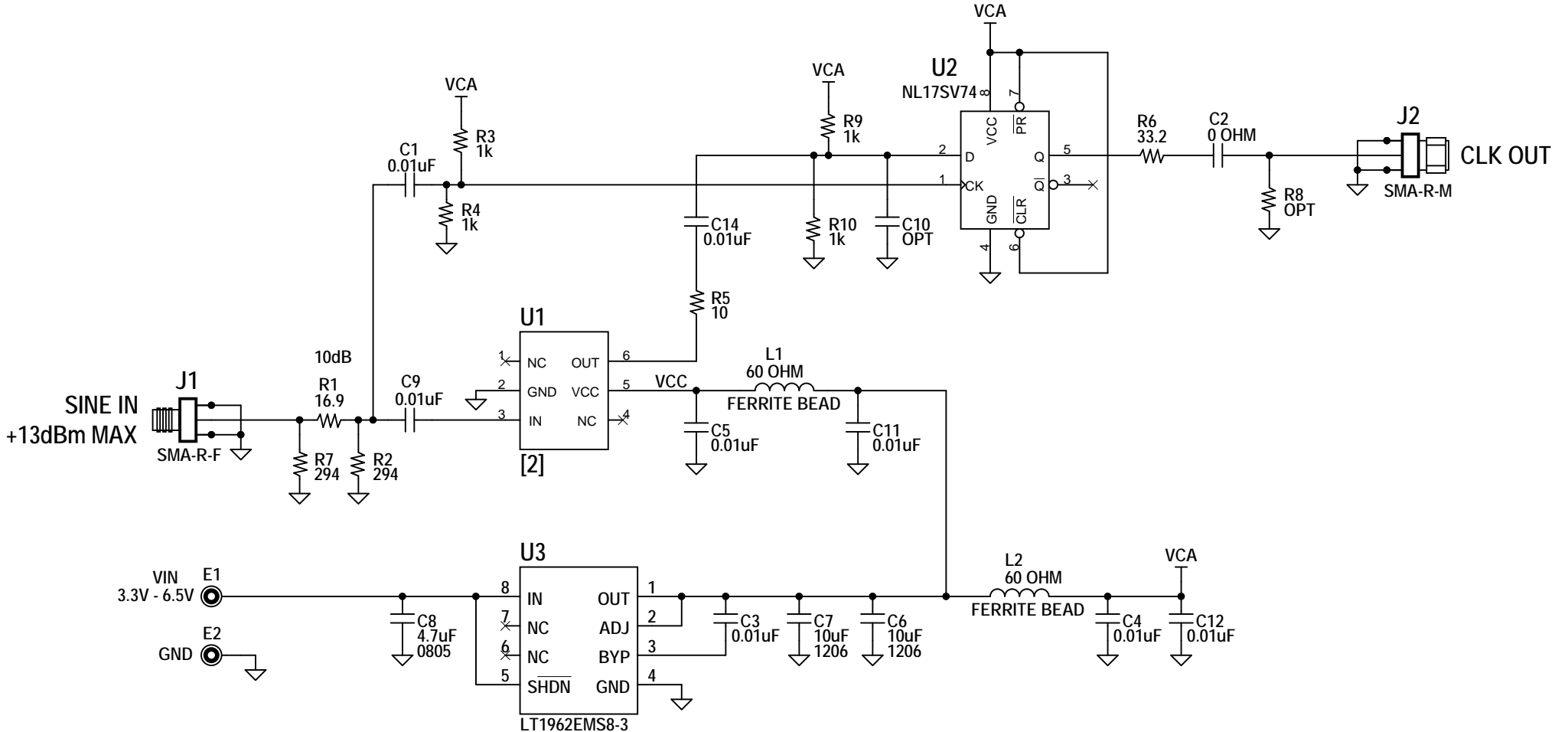


REVISION HISTORY				
ECO	REV	DESCRIPTION	APPROVED	DATE
—	2	2ND PROTOTYPE	GUY H.	08-06-18



NOTE: UNLESS OTHERWISE SPECIFIED

1. ALL RESISTORS AND CAPACITORS ARE 0402.

[2]. ASSEMBLY TABLE:

ASSY	U1	SUFFIX	DIVIDE BY
A	HMC433E	3	4
B	HMC432E	2	2
C	HMC434E	4	8


**CUSTOMER NOTICE**  
 ANALOG DEVICES HAS MADE A BEST EFFORT TO DESIGN A CIRCUIT THAT MEETS CUSTOMER - SUPPLIED SPECIFICATIONS. HOWEVER, IT REMAINS THE CUSTOMER'S RESPONSIBILITY TO VERIFY PROPER AND RELIABLE OPERATION IN THE ACTUAL APPLICATION. COMPONENT SUBSTITUTION AND PRINTED CIRCUIT BOARD LAYOUT MAY SIGNIFICANTLY AFFECT CIRCUIT PERFORMANCE OR RELIABILITY. CONTACT ANALOG DEVICES APPLICATIONS ENGINEERING FOR ASSISTANCE.

ADI CONFIDENTIAL - FOR CUSTOMER USE ONLY  
 THIS CIRCUIT IS PROPRIETARY TO ANALOG DEVICES AND SUPPLIED FOR USE WITH ANALOG DEVICES PARTS.

**APPROVALS**

PCB DES.	KIM T.
APP ENG.	GUY H.

SCALE = NONE



**ANALOG DEVICES**  
AHEAD OF WHAT'S POSSIBLE™

1630 McCarthy Blvd.  
 Milpitas, CA 95035  
 Tel: (408) 432-1900  
 www.analog.com

TITLE: SCHEMATIC

## CLOCK DIVIDER

SIZE N/A	IC NO. HMC433E, HMC432E, HMC4343E	REV. 2
DATE: Monday, August 06, 2018		SHEET 1 OF 1