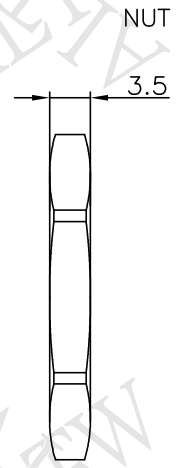
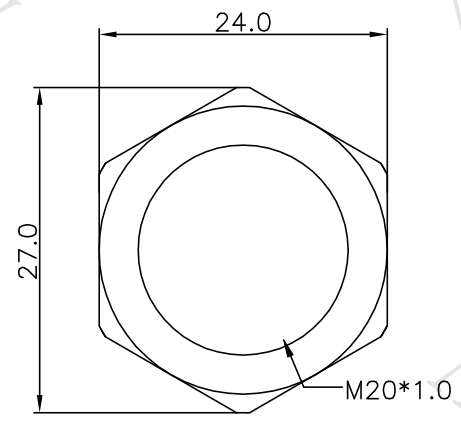
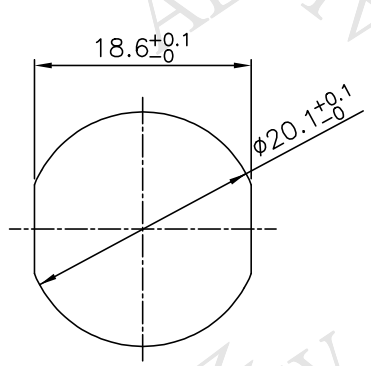
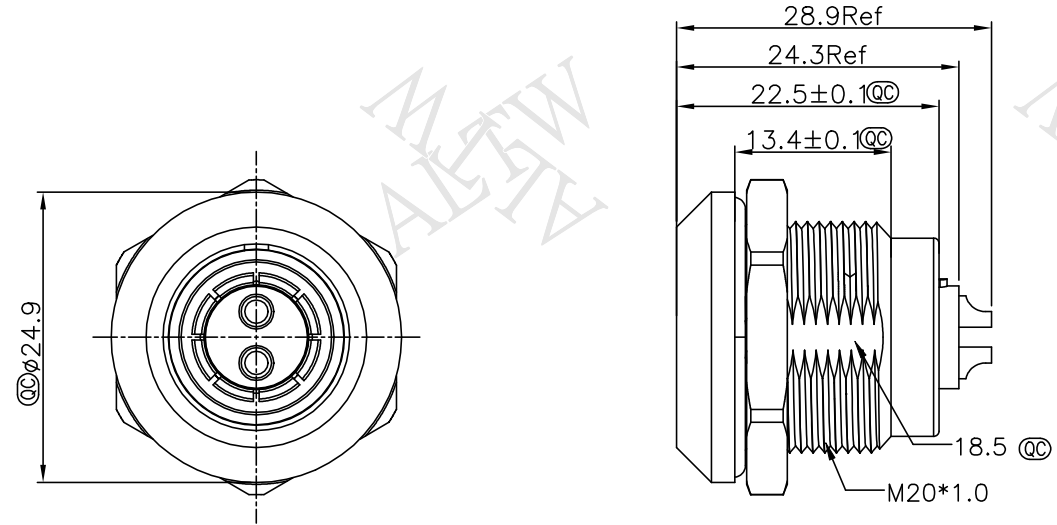


REV.	DESCRIPTION
B	Change Number
C	Change PIN Number

THIS DOCUMENT IS SUBJECT TO CHANGE WITHOUT NOTICE. IT IS CONFIDENTIAL AND A PROPERTY OF Amphenol LTW. DISCLOSURE TO THIRD PARTY HAS TO BE AUTHORIZED BY Amphenol LTW.



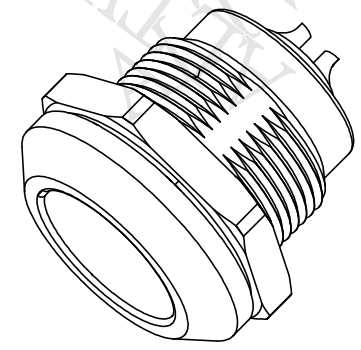
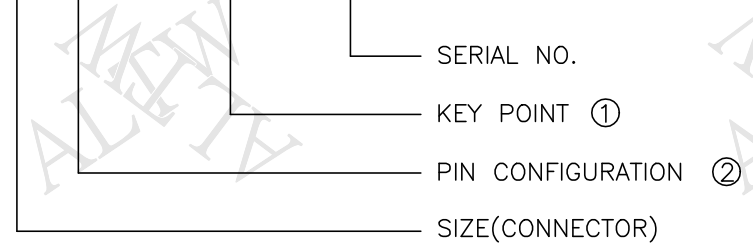
- Notes:
- * (C) Important Dimensions To Check.
 - * Waterproof Rate: IP68(Mated)
 - * Female Pin: Copper Alloy, Gold Plated.
 - * Use Panel Thickness Max: 8.0mm

Conn.
Pin Assignments
Front View

A	UNIT:mm		TITLE		Amphenol LTW 安費諾亮泰企業股份有限公司	ITEM NO	△ B	DRAWN BY	Ouyang	DATE	2019/04/26			
	TOLERANCE		±0.5MM	SCALE		Free	SHEET	1 OF 2	DWG NO	FLKD-XXEGFS-XCP-XXX	CHECKED BY	Mafei	DATE	2019/04/26
	REV.		C	SIZE		A4	(C) :Inspection Item	CUSTOMER	ALTW	APPROVED BY	Jerry	DATE	2019/04/26	

THIS DOCUMENT IS SUBJECT TO CHANGE WITHOUT NOTICE. IT IS CONFIDENTIAL AND A PROPERTY OF Amphenol LTW. DISCLOSURE TO THIRD PARTY HAS TO BE AUTHORIZED BY Amphenol LTW.

FLKD-XXEGFS-XCP-XXX



KEY POINT

CODE ①	G	A	B	C	D
	0°	30°	45°	60°	95°
GRAPHIC					

PIN CONFIGURATION (Solder Definition)②

GRAPHIC							
	2 PIN	3 PIN	4 PIN	5 PIN	6 PIN	7 PIN	
GRAPHIC							
	8 PIN	10 PIN	12 PIN	14 PIN	16 PIN	18 PIN	19 PIN

UNIT:mm	
TOLERANCE	
±0.5MM	

TITLE		
FLO 2K PANEL CONNECTOR		
SCALE	Free	SHEET 2 OF 2
REV. C	SIZE A4	QC :Inspection Item

Amphenol LTW
安費諾亮泰企業股份有限公司

ITEM NO	
DWG NO	FLKD-XXEGFS-XCP-XXX
CUSTOMER	ALTW

DRAWN BY	Ouyang
CHECKED BY	Mafei
APPROVED BY	Jerry

DATE	2019/04/26
DATE	2019/04/26
DATE	2019/04/26