

RF Power Tubular Capacitors with Mounting Tags, Class 1 Ceramic



QUICK REFERENCE DATA		
DESCRIPTION	VALUE	
Ceramic Class	1	
Ceramic Dielectric	R7, R42, R85	
Type	RA 012085 RE 012085	RA 012020 RB 012020 RE 012020
Voltage (V _p)	2000	
Min. Capacitance (pF)	3.0	10
Max. Capacitance (pF)	100	400
Mounting	Screw terminal	

MATERIAL

Capacitor elements made from class 1 ceramic dielectric with noble metal electrodes.

Connection terminals:
made from copper / brass, silver plated.

FINISH

Capacitor body completely protective lacquered.
The contoured insulating rim and the ceramic base are additionally glazed.

MARKING

Type designator, capacitance value and tolerance, rated peak voltage, ceramic material code, production date code, manufacturer logo

FEATURES

- Small size
- High reliability
- Wide range of capacitance values

APPLICATIONS

- Induction and dielectric heating
- Antenna units
- Filter, bypass, and coupling circuits

CAPACITANCE RANGE

3.0 pF to 400 pF

CAPACITANCE TOLERANCE

< 10 pF: ± 2 pF; ± 1 pF; ± 0.5 pF
 ≥ 10 pF: ± 20 %; ± 10 %; ± 5 %

CERAMIC DIELECTRICS

- R7 (TCC + 100 ppm/K)
- R42 (TCC - 250 ppm/K)
- R85 (TCC - 750 ppm/K)

RATED VOLTAGE

2.0 kV_p

DIELECTRIC STRENGTH TEST

200 % of rated AC voltage (50 Hz, 5 minutes)

DISSIPATION FACTOR

R7: max. 0.07 % (1 MHz)
 R42, R85: max. 0.05 % (1 MHz)

INSULATION RESISTANCE

Min. 100 000 MΩ (at 25 °C)

OPERATING TEMPERATURE RANGE

-55 °C to +100 °C



SAP PART NUMBER AND ELECTRICAL DATA					
PART NUMBER	CERAMIC	CAP. VALUES (pF)	RATED VOLTAGE (kV _p)	RATED POWER ⁽¹⁾ (kvar)	RATED CURRENT (A _{RMS})
TYPE R. 012085					
R#012085BB930##BF1	R7	3.0	2.0	0.7	4.0
R#012085BB940##BF1		4.0			
R#012085BB950##BF1		5.0			
R#012085BB960##BF1		6.0			
R#012085BB980##BF1		8.0			
R#012085BB100##BF1		10			
R#012085BB160##BH1	R42	16			
R#012085BB200##BH1		20			
R#012085BB250##BH1		25			
R#012085BB300##BH1		30			
R#012085BB400##BJ1	R85	40		0.8	
R#012085BB500##BJ1		50			
R#012085BB600##BJ1		60			
R#012085BB800##BJ1		80			
R#012085BB101##BJ1		100			
TYPE R. 012020					
R#012020BB100##BF1	R7	10	2.0	1.4	4.0
R#012020BB120##BF1		12			
R#012020BB160##BF1		16			
R#012020BB200##BF1		20			
R#012020BB250##BF1		25			
R#012020BB300##BF1		30			
R#012020BB400##BH1	R42	40			
R#012020BB500##BH1		50			
R#012020BB600##BH1		60			
R#012020BB800##BH1		80			
R#012020BB101##BJ1	R85	100		1.7	
R#012020BB121##BJ1		120			
R#012020BB161##BJ1		160			
R#012020BB201##BJ1		200			
R#012020BB251##BJ1		250			
R#012020BB301##BJ1		300			
R#012020BB401##BJ1		400			

Notes

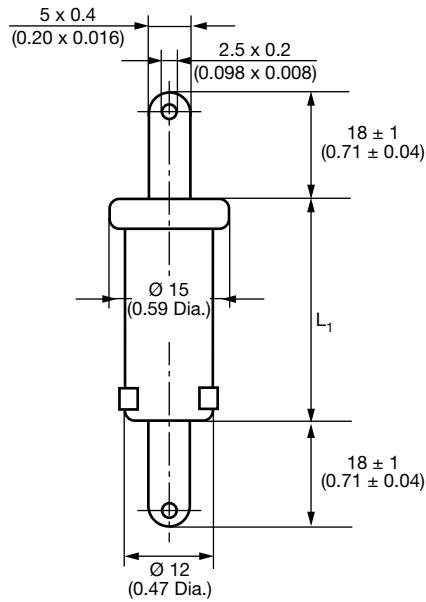
- # 2nd digit: code letter of the terminal version A, B, E (RB 012085 is not available)
- ## 14th to 15th digit: capacitance tolerance code < 10 pF: ± 2 pF = 15, ± 1 pF = 14, ± 0.5 pF = 13
≥ 10 pF: ± 20 % = 38, ± 10 % = 36, ± 5 % = 33

(1) The surface temperature during operation must not exceed +100 °C

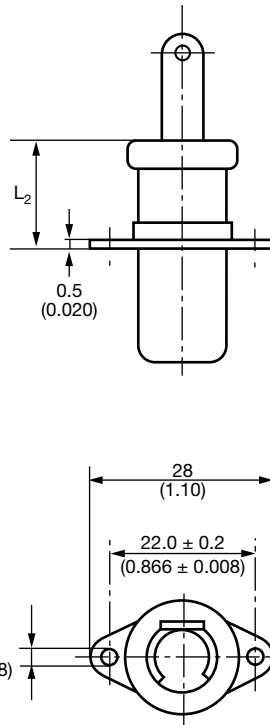


DIMENSIONS in millimeters (inches)

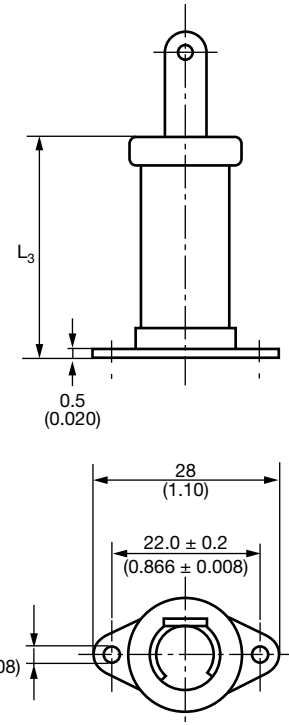
RA



RB



RE



TYPE	RA 012085 RE 012085	RA 012020 RB 012020 RE 012020
Length L ₁	8.5 (0.335)	20 (0.79)
Length L ₂	RB 012085 is not available	10 ± 1 (0.39 ± 0.04)
Length L ₃	10 ± 1 (0.39 ± 0.04)	22 ± 1 (0.87 ± 0.04)

RELATED DOCUMENTS

General Information	www.vishay.com/doc?22071
---------------------	--



Disclaimer

ALL PRODUCT, PRODUCT SPECIFICATIONS AND DATA ARE SUBJECT TO CHANGE WITHOUT NOTICE TO IMPROVE RELIABILITY, FUNCTION OR DESIGN OR OTHERWISE.

Vishay Intertechnology, Inc., its affiliates, agents, and employees, and all persons acting on its or their behalf (collectively, "Vishay"), disclaim any and all liability for any errors, inaccuracies or incompleteness contained in any datasheet or in any other disclosure relating to any product.

Vishay makes no warranty, representation or guarantee regarding the suitability of the products for any particular purpose or the continuing production of any product. To the maximum extent permitted by applicable law, Vishay disclaims (i) any and all liability arising out of the application or use of any product, (ii) any and all liability, including without limitation special, consequential or incidental damages, and (iii) any and all implied warranties, including warranties of fitness for particular purpose, non-infringement and merchantability.

Statements regarding the suitability of products for certain types of applications are based on Vishay's knowledge of typical requirements that are often placed on Vishay products in generic applications. Such statements are not binding statements about the suitability of products for a particular application. It is the customer's responsibility to validate that a particular product with the properties described in the product specification is suitable for use in a particular application. Parameters provided in datasheets and / or specifications may vary in different applications and performance may vary over time. All operating parameters, including typical parameters, must be validated for each customer application by the customer's technical experts. Product specifications do not expand or otherwise modify Vishay's terms and conditions of purchase, including but not limited to the warranty expressed therein.

Except as expressly indicated in writing, Vishay products are not designed for use in medical, life-saving, or life-sustaining applications or for any other application in which the failure of the Vishay product could result in personal injury or death. Customers using or selling Vishay products not expressly indicated for use in such applications do so at their own risk. Please contact authorized Vishay personnel to obtain written terms and conditions regarding products designed for such applications.

No license, express or implied, by estoppel or otherwise, to any intellectual property rights is granted by this document or by any conduct of Vishay. Product names and markings noted herein may be trademarks of their respective owners.