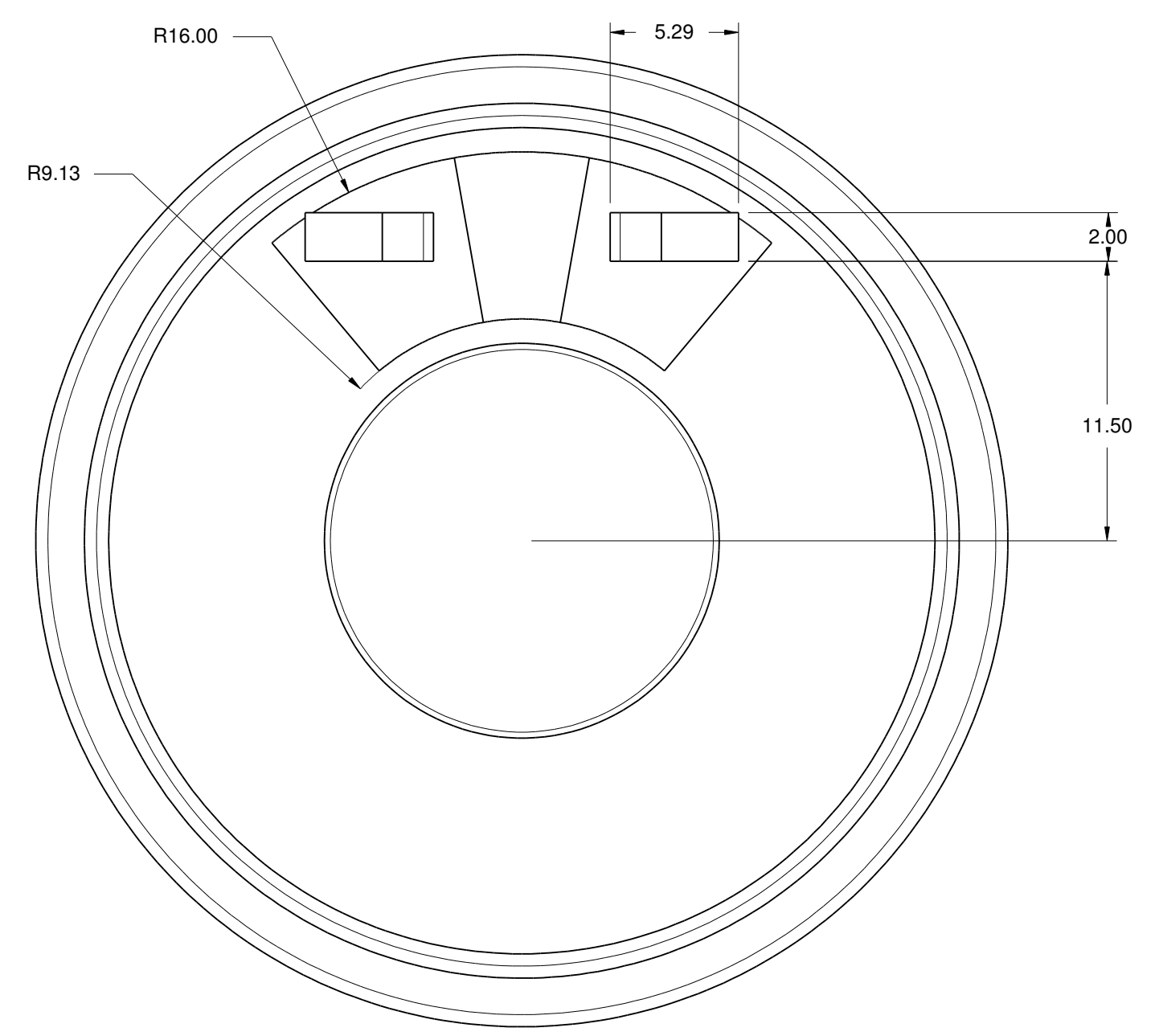
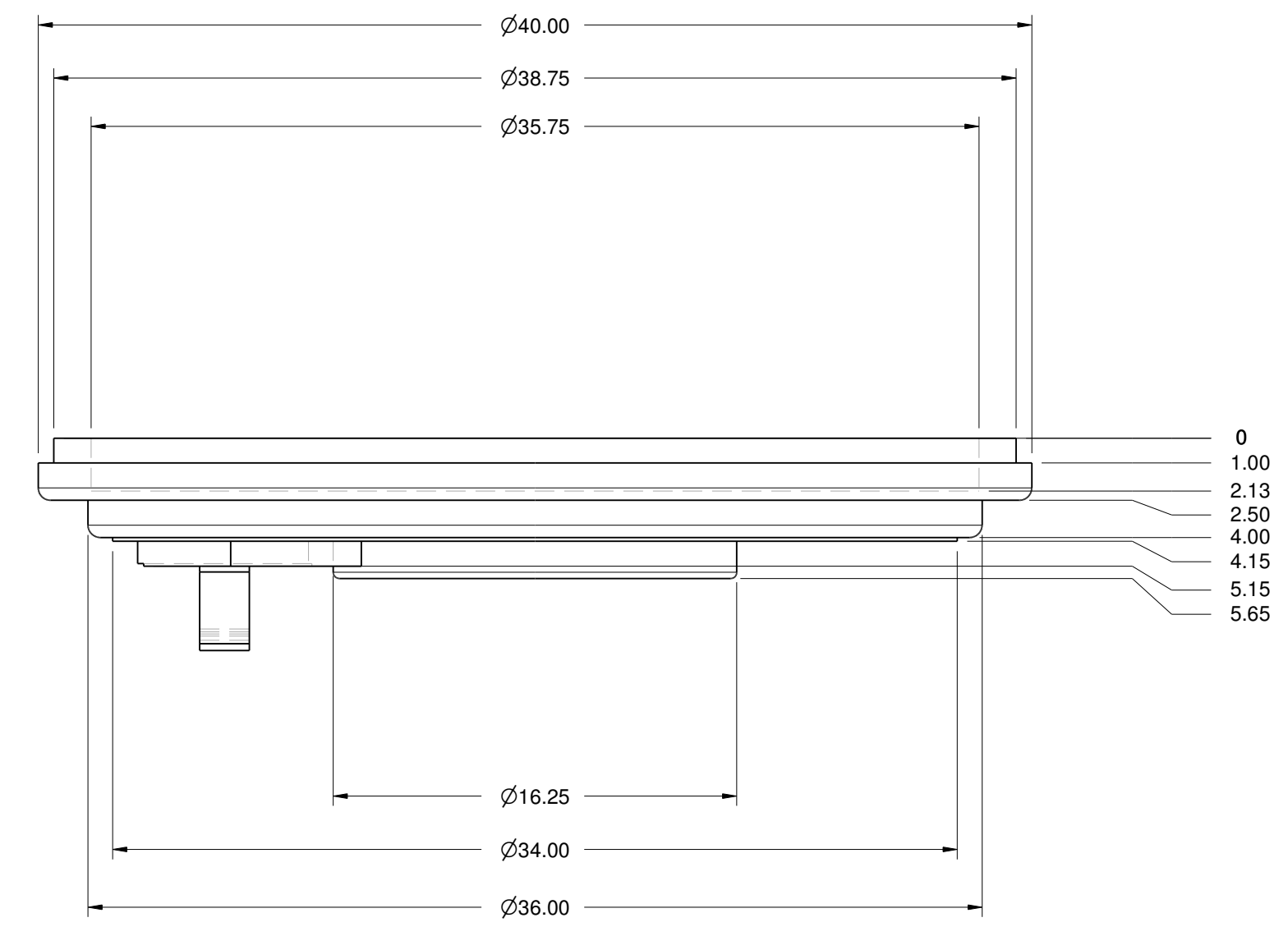
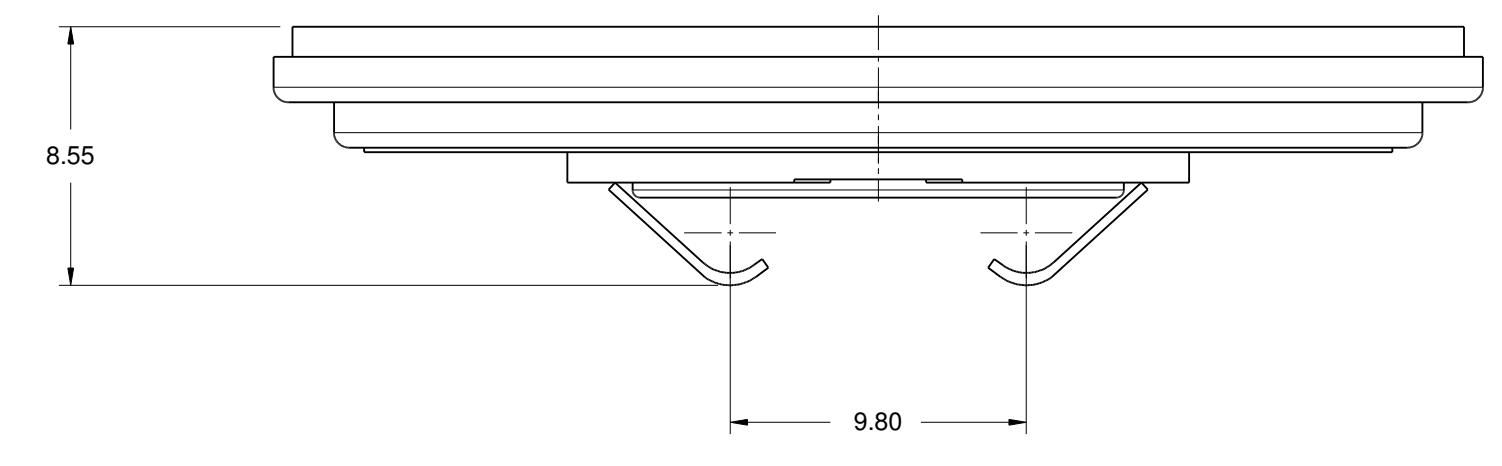
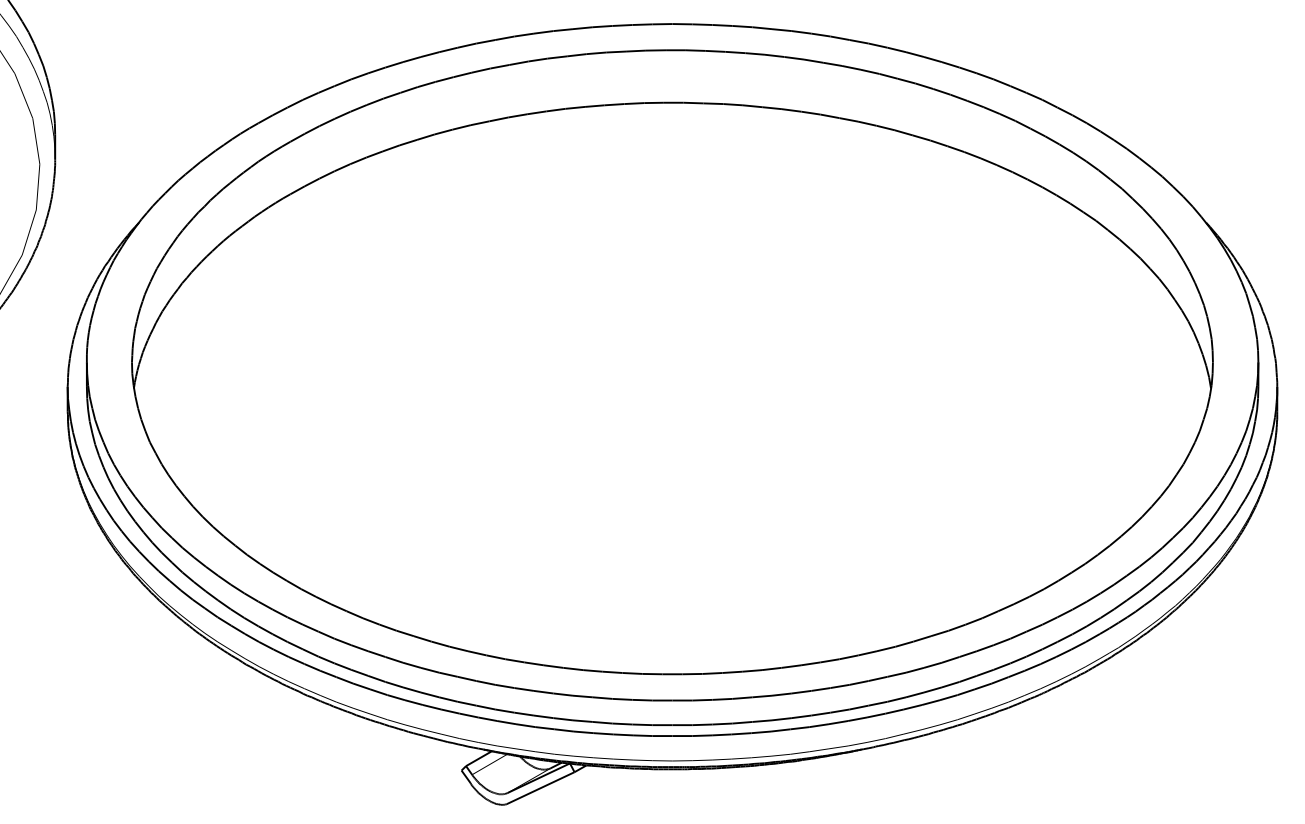
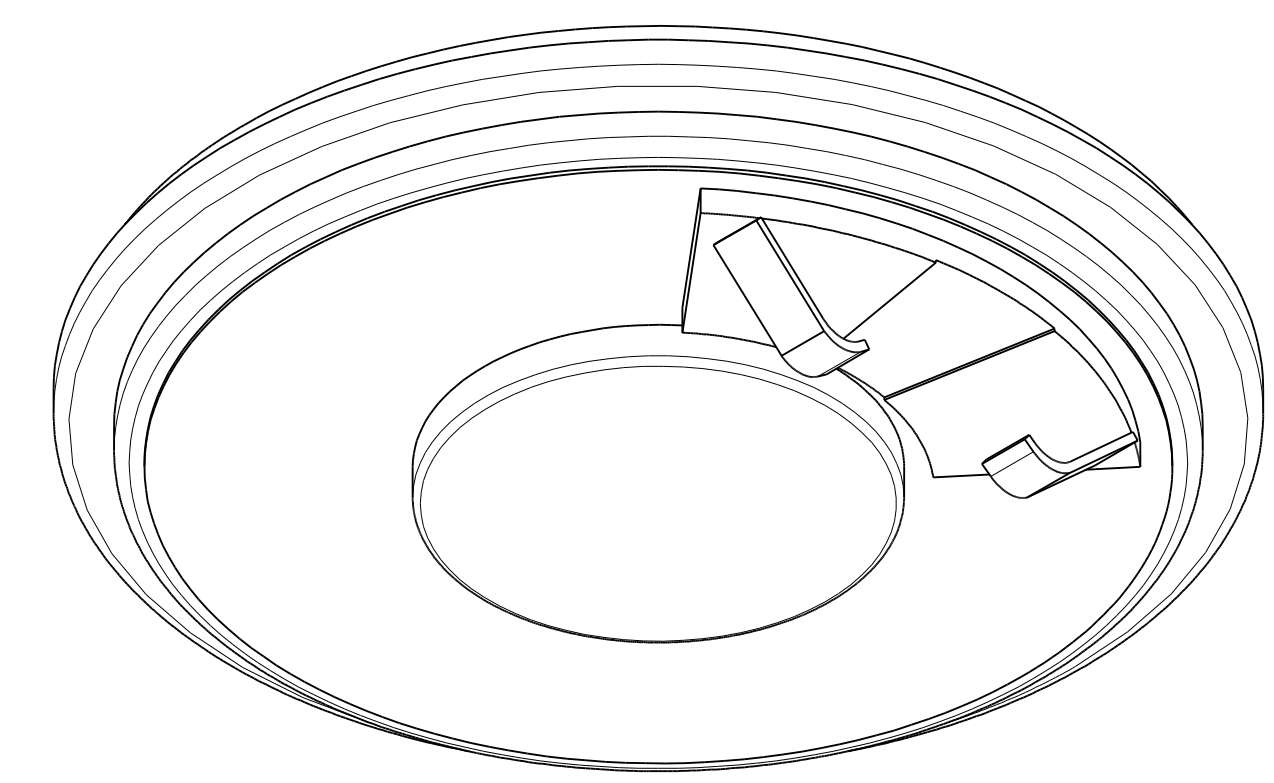
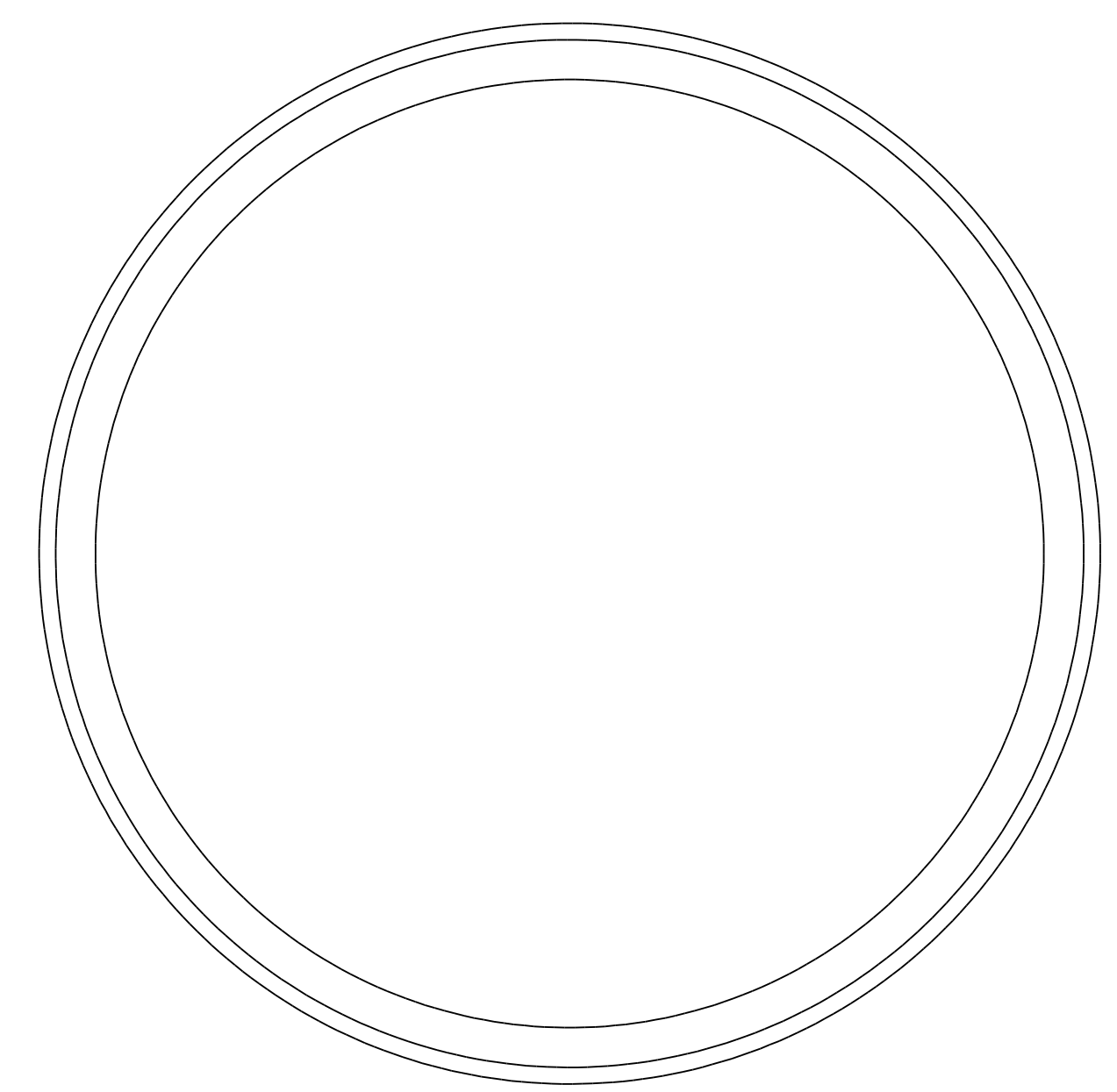


REVISIONS				
ZONE	REV	DESCRIPTION	DATE	APPROVED



- 0
- 1.00
- 2.13
- 2.50
- 4.00
- 4.15
- 5.15
- 5.65



SIZE	FSCM NO.	DWG NO.	REV
D		SP-4005S	
SCALE	1:1	SHEET	1 OF 1