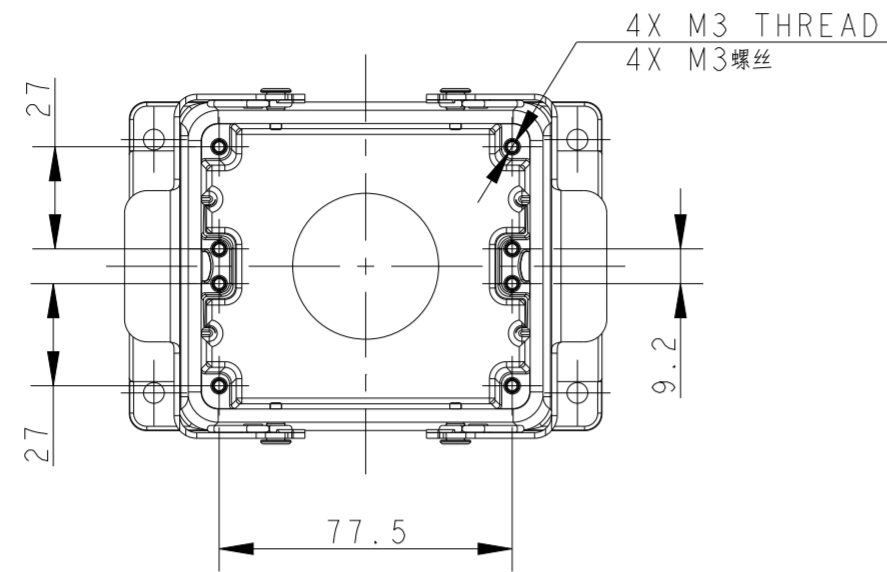


THIS DRAWING IS UNPUBLISHED. RELEASED FOR PUBLICATION 20
 © COPYRIGHT 20 BY - ALL RIGHTS RESERVED.

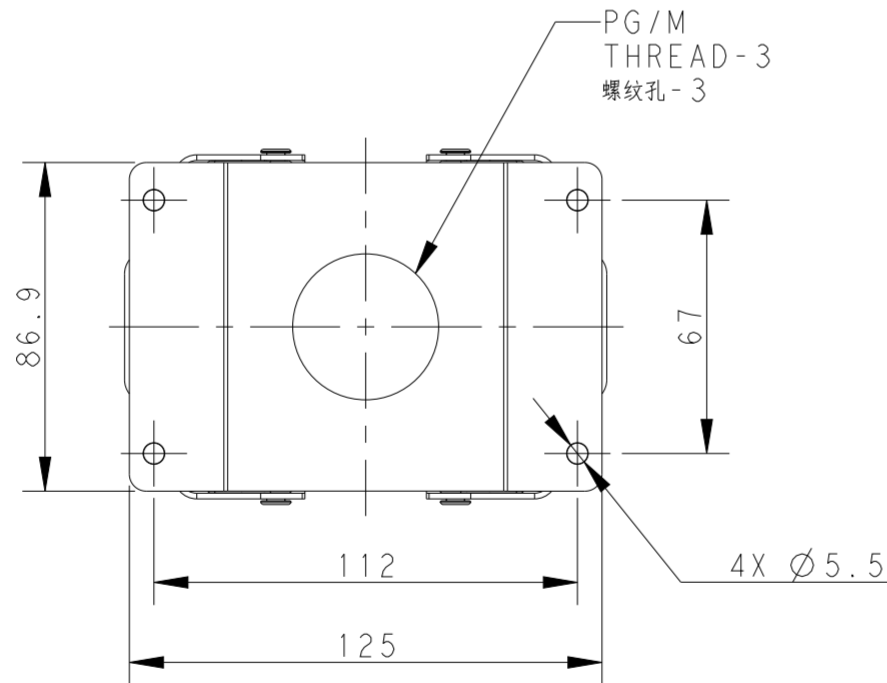
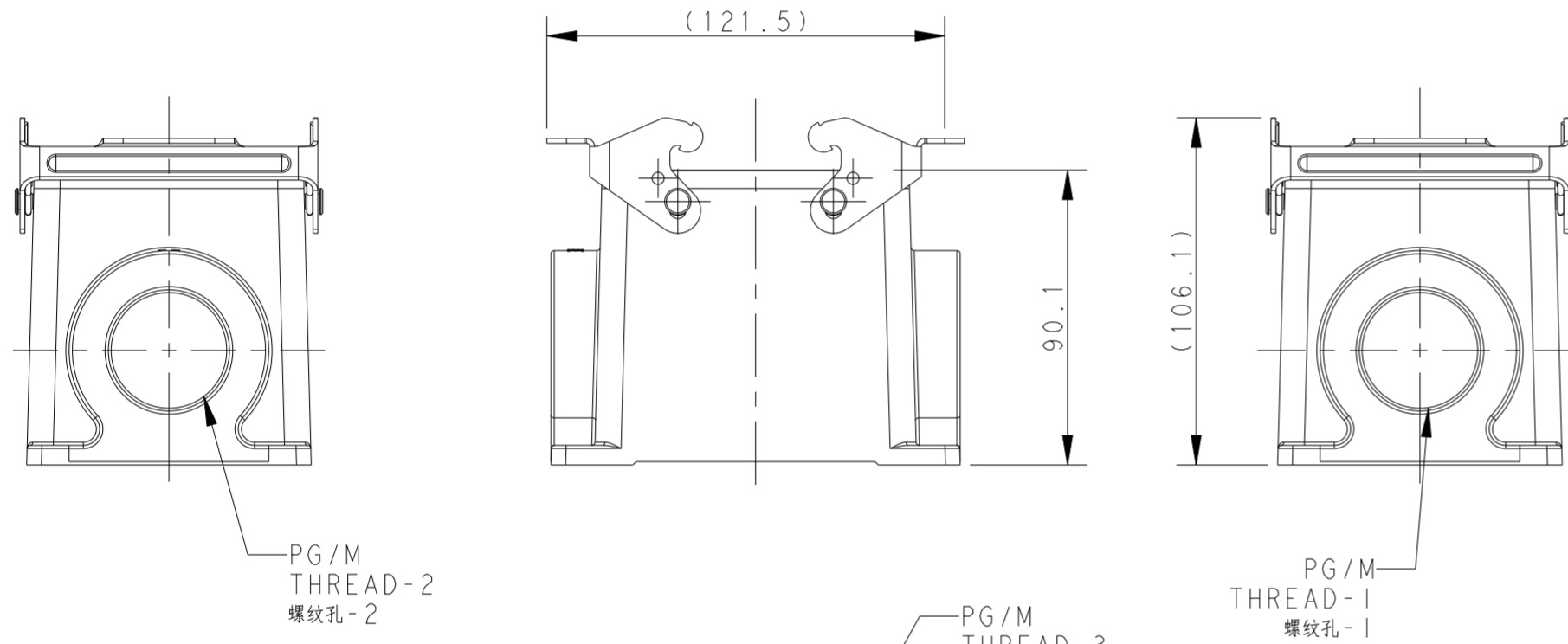
| REVISIONS | | | | | |
|-----------|-----|-----------------|-----------|-----|------|
| P | LTR | DESCRIPTION | DATE | DWN | APVD |
| A | | INITIAL RELEASE | 04JUN2015 | DL | CW |
| A1 | | ECR-17-000247 | 09JAN2017 | BS | CW |
| B | | ECR-21-109004 | 16AUG2021 | WOR | CW |



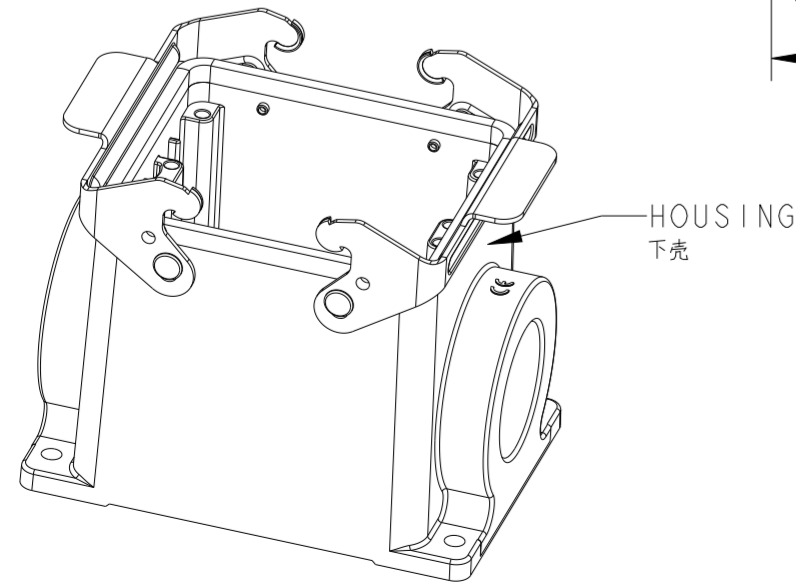
NOTES:

1. TECHNICAL CHARACTERISTICS:
 HOUSING MATERIAL: DIE CAST ALUMINIUM ALLOY
 HOUSING SURFACE: POWDER COATED, GREY
 DEGREE OF PROTECTION: IP65 (MATED)

- 注释:
 1. 技术参数:
 下壳材料: 铝合金
 下壳表面处理: 灰色粉末喷涂
 防护等级: IP65 (配合)



| | | | | | | |
|-------------------|------------------------|--|------|---------------------------|---------------------------|---------------------------|
| T1440322129-000 | H32B-SGR-PG29 | H32B HOUSING, SURFACE MOUNTED, METAL DOUBLE LOCKING, PG29, POWDER COATED, GREY H32B下壳, 表面安装, 彩锌双扣, PG29, 灰色粉末喷涂 | PG29 | - | - | |
| T1440322132-000 | H32B-SGR-M32 | H32B HOUSING, SURFACE MOUNTED, METAL DOUBLE LOCKING, M32, POWDER COATED, GREY H32B下壳, 表面安装, 彩锌双扣, M32, 灰色粉末喷涂 | M32 | - | - | |
| T1440322136-000 | H32B-SGR-PG36 | H32B HOUSING, SURFACE MOUNTED, METAL DOUBLE LOCKING, PG36, POWDER COATED, GREY H32B下壳, 表面安装, 彩锌双扣, PG36, 灰色粉末喷涂 | PG36 | - | - | |
| T1440322140-000 | H32B-SGR-M40 | H32B HOUSING, SURFACE MOUNTED, METAL DOUBLE LOCKING, M40, POWDER COATED, GREY H32B下壳, 表面安装, 彩锌双扣, M40, 灰色粉末喷涂 | M40 | - | - | |
| T1440322142-000 | H32B-SGR-PG42 | H32B HOUSING, SURFACE MOUNTED, METAL DOUBLE LOCKING, PG42, POWDER COATED, GREY H32B下壳, 表面安装, 彩锌双扣, PG42, 灰色粉末喷涂 | PG42 | - | - | |
| T1440322150-000 | H32B-SGR-M50 | H32B HOUSING, SURFACE MOUNTED, METAL DOUBLE LOCKING, M50, POWDER COATED, GREY H32B下壳, 表面安装, 彩锌双扣, M50, 灰色粉末喷涂 | M50 | - | - | |
| T1440322229-000 | H32B-SGR-2PG29 | H32B HOUSING, SURFACE MOUNTED, METAL DOUBLE LOCKING, 2PG29, POWDER COATED, GREY H32B下壳, 表面安装, 彩锌双扣, 2PG29, 灰色粉末喷涂 | PG29 | PG29 | - | |
| T1440322232-000 | H32B-SGR-2M32 | H32B HOUSING, SURFACE MOUNTED, METAL DOUBLE LOCKING, 2M32, POWDER COATED, GREY H32B下壳, 表面安装, 彩锌双扣, 2M32, 灰色粉末喷涂 | M32 | M32 | - | |
| T1440322236-000 | H32B-SGR-2PG36 | H32B HOUSING, SURFACE MOUNTED, METAL DOUBLE LOCKING, 2PG36, POWDER COATED, GREY H32B下壳, 表面安装, 彩锌双扣, 2PG36, 灰色粉末喷涂 | PG36 | PG36 | - | |
| T1440322240-000 | H32B-SGR-2M40 | H32B HOUSING, SURFACE MOUNTED, METAL DOUBLE LOCKING, 2M40, POWDER COATED, GREY H32B下壳, 表面安装, 彩锌双扣, 2M40, 灰色粉末喷涂 | M40 | M40 | - | |
| T1440322250-000 | H32B-SGR-2M50 | H32B HOUSING, SURFACE MOUNTED, METAL DOUBLE LOCKING, 2M50, POWDER COATED, GREY H32B下壳, 表面安装, 彩锌双扣, 2M50, 灰色粉末喷涂 | M50 | M50 | - | |
| T1440322140-001 | H32B-SGR-M40/M40 | H32B HOUSING, SURFACE MOUNTED, METAL DOUBLE LOCKING, SIDE ENTRY M40, BOTTOM ENTRY M40, POWDER COATED, GREY H32B下壳, 表面安装, 彩锌双扣, 侧出M40, 底出M40, 灰色粉末喷涂 | M40 | - | M40 | |
| PART NUMBER 料号 | PART DESCRIPTION 描述 | | | PG/M THREAD-1 螺纹孔-1 | PG/M THREAD-2 螺纹孔-2 | PG/M THREAD-3 螺纹孔-3 |



THIS DRAWING IS A CONTROLLED DOCUMENT.

DWN: DAVID LI 04JUN2015
 CHK: CHRIS WANG 04JUN2015
 APVD: XU XIANG 04JUN2015

TE Connectivity

NAME: H32B-SGR-PG/M

PRODUCT SPEC: 108-137013
 APPLICATION SPEC: 114-137013

SIZE: A2 CAGE CODE: - DRAWING NO: C-T1440322XXX000 RESTRICTED TO: -

MATERIAL: - FINISH: - WEIGHT: -

CUSTOMER DRAWING SCALE: 1:2 SHEET: 1 OF 1 REV: B