

**NEWNEX PROPRIETARY**

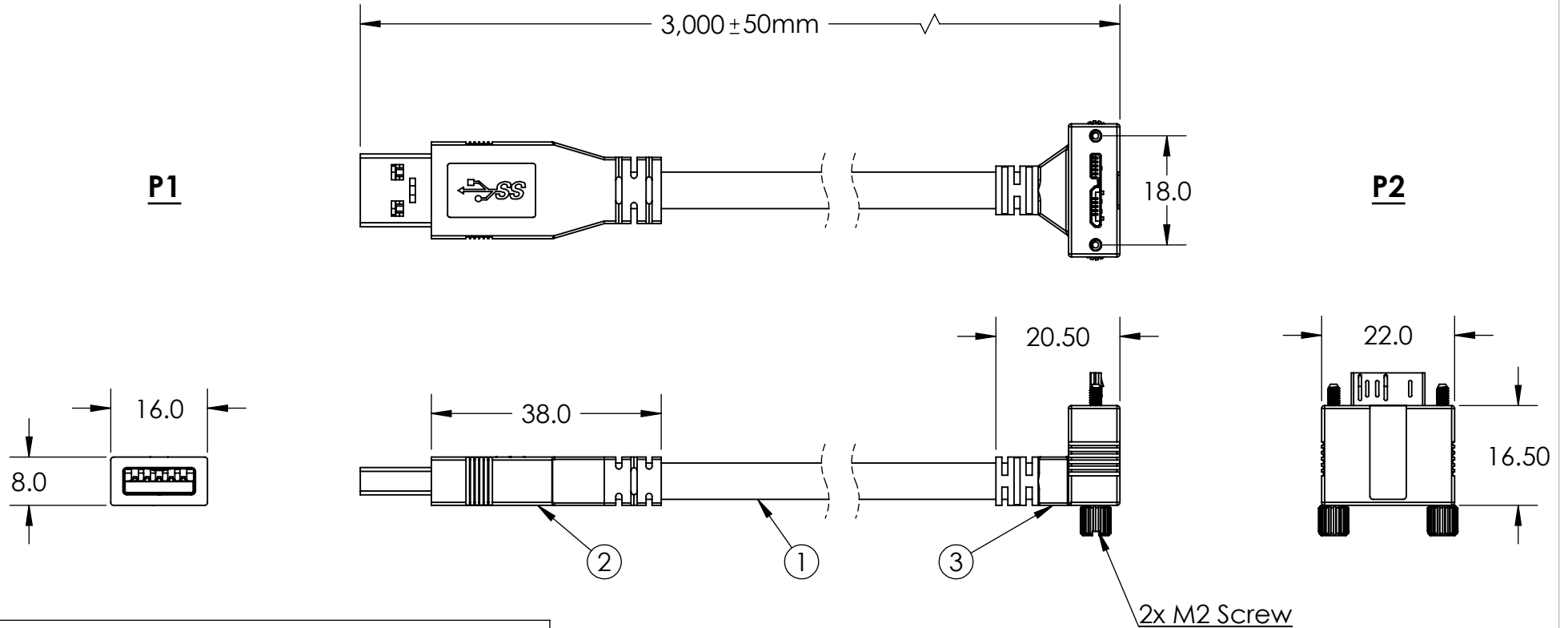
THIS DOCUMENT AND THE DATA DISCLOSED HEREIN OR WITHIN IS NOT TO BE REPRODUCED, USED, OR DISCLOSED IN WHOLE OR PART TO ANYONE WITHOUT THE WRITTEN PERMISSION OF NEWNEX

**COMPANY NAME**

**CUSTOMER SIGNATURE**

**DATE**

**COMMENTS:**



WIRING STRUCTURE		
P1	SIGNAL	P2
1	PWR	1
2	D-	2
3	D+	3
4	GND	5
5	SDP1-	6
6	SDP1+	7
7	DRAIN	8
8	SDP2-	9
9	SDP2+	10
SHELL	BRAID	SHELL

**Notes:**

1. Cable: USB 3.0 Black PVC Jacket.
2. Connector: USB 3.0 A Male.
3. Connector: USB 3.0 Angled Micro-B Male Dual Screw Locking.
4. Packaging: 1 Piece + PE bag.

Newnex Technology Corp.



UNLESS OTHERWISE SPECIFIED DIMENSIONS ARE IN MILLIMETERS TOLERANCES ARE:

FRACTIONS: X ± 0.5  
 DECIMALS: XX ± 0.25  
 ANGLES: XXX ± 0.125

PROJ: [Symbol]  
 SCALE: 1:1  
 REV: A

TITLE: USB 3.0 A Male to Angled Micro B Male with Dual Screw Locking, 3M, Black.

DATE: 5/29/2014

DRAWN BY: [Blank]  
 APPROVED BY: [Blank]

PART NUMBER: US2-AMCBR11-3M

CHECKED BY: [Blank]  
 SHEET 1 OF 1

REVISION COMMENTS: Drawing generated

\*100% OPEN, SHORT, MISWIRE TESTING

\*RoHS compliant product

\*Both shell clam and copper foil have 360 degree contact with braiding