

■ **Features**

- Single output from 25-40W
- 100-240Vac Universal Input
- Meet the standards: EN 60601-1-2, 3rd Ed, 4th EMC Ed. Medical
- Input frequency range: 47-63Hz
- Ripple and noise: 150-300mVp-p Max
- Means of protection: 2 X MOPP
- Protections: OVP, OCP, & SCP
- Efficiency level VI
- IP22
- Interchangeable Plug types: US, EU, AU, UK
- Class II Design
- 2-year warranty



*Product images are for illustrative purposes only and may vary from actual design.

Custom Designs Available!

■ **Application**

- Medical equipment

■ **Model List***(See part number scheme for model number details)

Model	Output Voltage (Nom.)	Output Power	Output Current (Min.)	Output Current (Max.)	Efficiency	Ripple(mV)
WM-M040LE-050I-TP1-XX	5V	25W	4.17A	5A	>84.3%	150mV
WM-M040LE-075I-TP1-XX	7.5V	30W	3.75A	5A	>86.95%	150mV
WM-M040LE-090I-TP1-XX	9V	36W	3.27A	4.5A	>87.6%	150mV
WM-M040LE-120I-TP1-XX	12V	40W	3.07A	3.63A	>87.6%	150mV
WM-M040LE-150I-TP1-XX	15V	40W	2.5A	3.07A	>87.6%	200mV
WM-M040LE-180I-TP1-XX	18V	40W	1.9A	2.5A	>87.6%	200mV
WM-M040LE-240I-TP1-XX	24V	40W	1.48A	1.9A	>87.6%	200mV
WM-M040LE-280I-TP1-XX	28V	40W	1.21A	1.48A	>87.6%	300mV
WM-M040LE-480I-TP1-XX	48V	40W	0.68A	1.21A	>87.6%	300mV

■ **Technical Data**

Input voltage range	100-240Vac
Frequency	47-63Hz
Input Current	0.6A-1A(max.)
Leakage Current	0.1mA(max.) @240Vac/50Hz
Load Regulation	±5%(5V-9V models), ±3%(12V-18V models), ±2%(24V-48V models)
Over Voltage Protection	Yes, protected by Zener Diode
Over current Protection	Yes, Hiccup mode, Auto Recovery

Technical Sales / Customer Service: +1-818-338-7788 • Email: sales@autec.com
 31328 Via Colinas Suite 102 • Westlake Village, CA 91362 USA • www.autec.com

■ **Technical Data(cont.)**

Short Circuit Protection	Yes, Hiccup mode, Auto Recovery
Operating Temperature	0 to 40C
Storage Temperature	-40C to + 85C
Relative Humidity	5% to 95% Non-condensing
Derating	From +40C Derate linearly to 70% at +50C
Efficiency	Avg. Eff. 87.6% min. @ 115Vac/230Vac
No Load Power Consumption	<0.1W
Hold-Up Time	10mS @115Vac full load
Line Regulation	±1% max. at full load
Inrush Current	50A max. @115Vac; 90As max. @230Vac at 25C cold start
Withstand Voltage	5656Vdc Input to Output
Insulation Resistance	50MΩ min. Input to Ground
MTBF	100,000 hours min. at full load at 25C ambient
Energy Requirements	DoE Level VI, coc version 4, ErP Step 12
Dimensions US Input Plug	75.5x32x70.7mm
Dimensions EU Input Plug	75.5x32x84.3mm
Dimensions UK Input Plug	75.5x48.8x71.6mm
Dimensions AU Input Plug	75.5x39.8x74.4mm
Weight	170~190g(ref.)

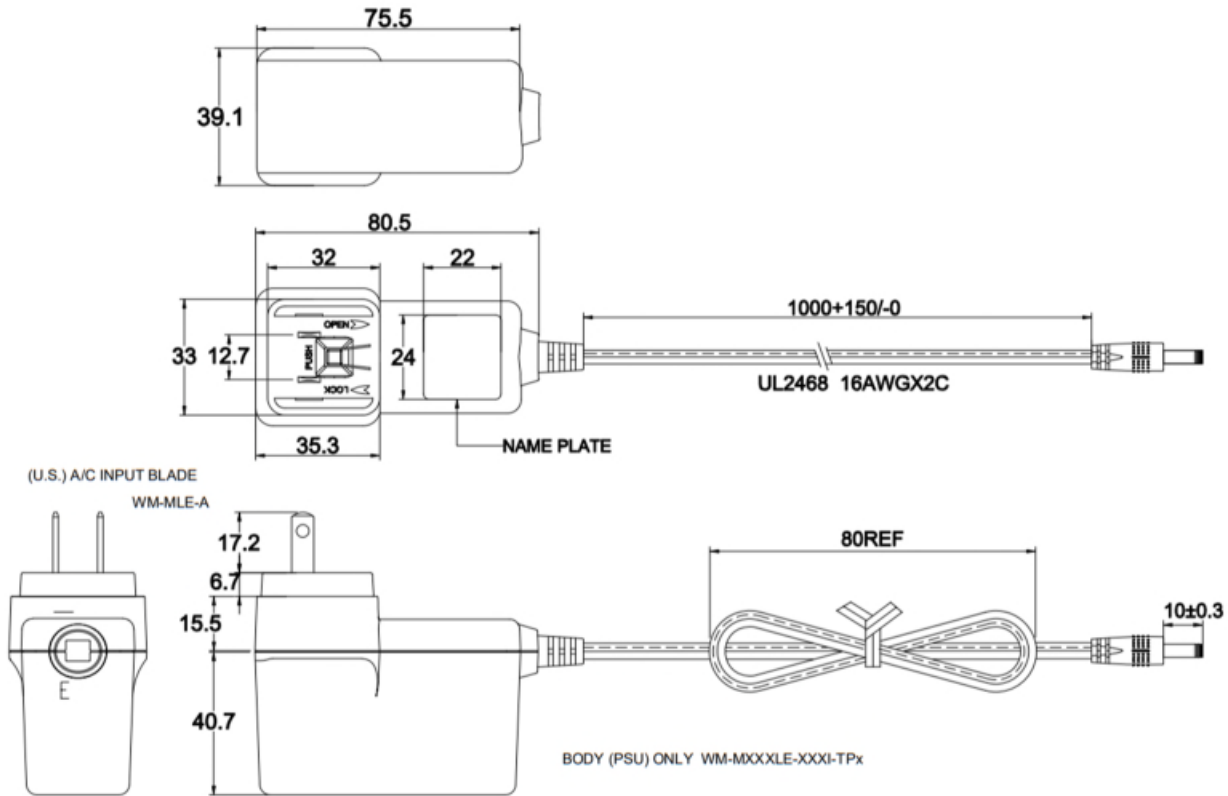
■ **Safety and EMC**

EMC Regulation	EN55011, EN60601-1-2, EN60601-3-2, EN60601-3-3, IEC6000-4-2,3,4,6,8,11, FCC 47 CFR part 18 subpart B
Safety Standard	UL/cUL (ANSI/AMMI ES6061-1) TUV EN60601-1, IEC60601-1

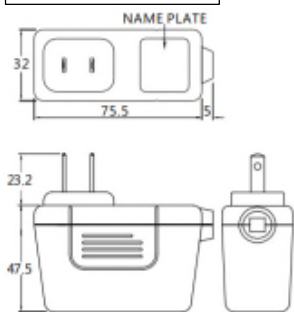
Autec power supplies are designed to meet and comply with the safety standards listed above. Contact Autec Technical Sales to confirm available safety approvals for your specific power supply application.

■ **Mechanical Diagram**

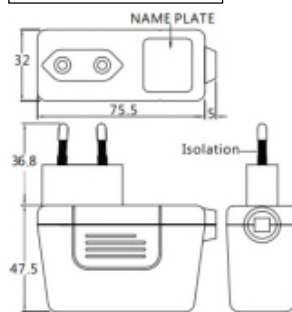
WM-M040LE-090I-TP1-2 Shown



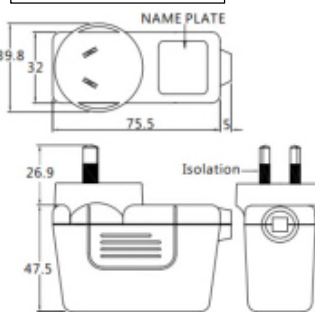
US Input Plug



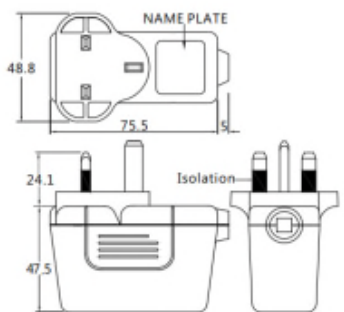
EU Input Plug

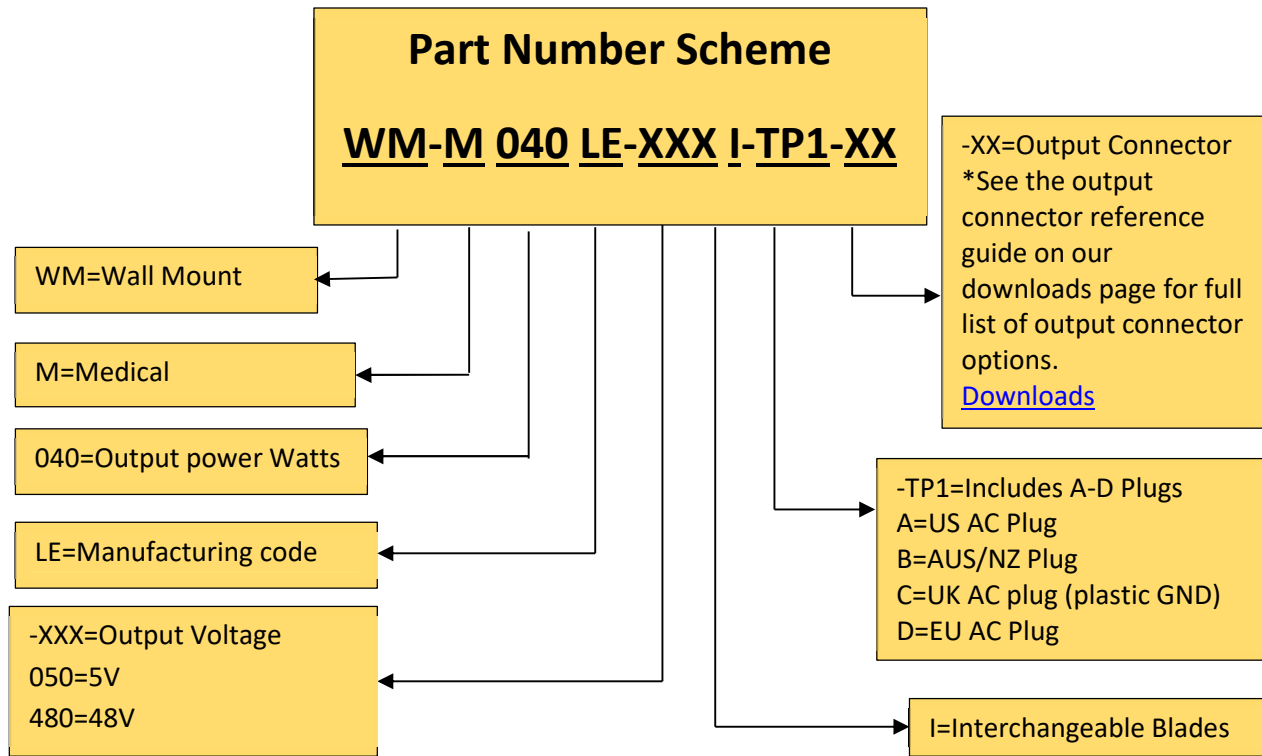


AU Input Plug



UK Input Plug





***Product images are for illustrative purposes only and may vary from actual design.**

***Specifications are subject to change without notice. Autec is not responsible for issues arising from errors or omissions.**