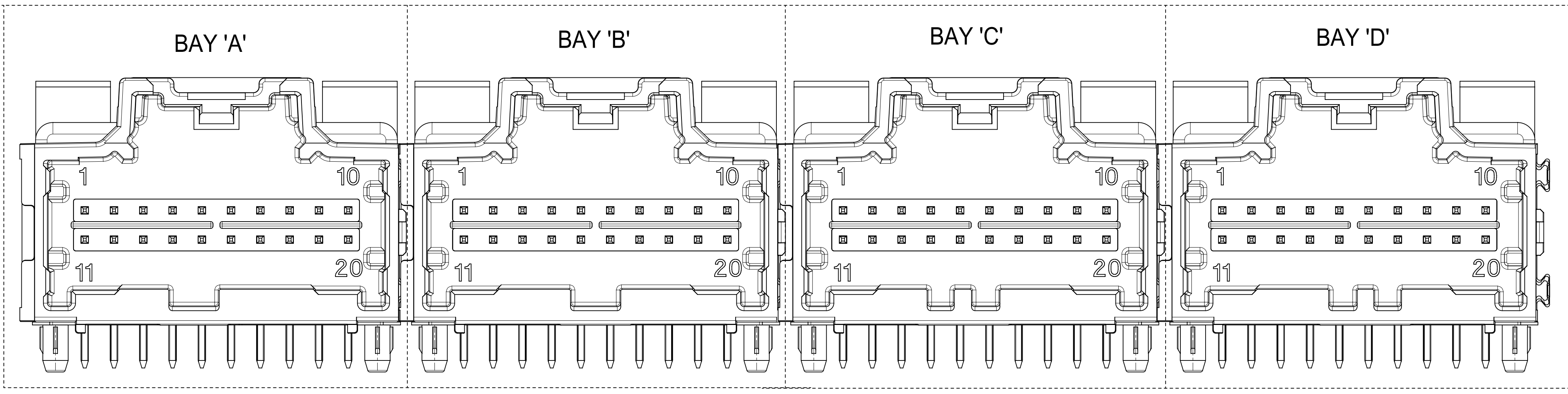


TABLE OF CONTENTS	
1	NOTES, INSPECTION BALLOON NUMBER LOG, REV. TABLE, 4 BAY ASSEMBLY VIEW
2	DIMENSIONAL CHART FOR MULTIBAY CONFIGURATION
3	4 BAY ASSEMBLY VIEW, RECOMMENDED PCB LAYOUT, FLUSH MOUNTING VIEW, POST HOLE TABLE, DIMENSION DETAILS
4	8-20CKT 0.64MM HEADER DETAILS, 14CKT HYBRID HEADER DETAILS, 10CKT HYBRID HEADER DETAILS
5	RECOMMENDED SINGLE PCB LAYOUT FOR 10CKT HYBRID, 14CKT HYBRID, AND 8-20CKT 0.64MM

4 BAY STAC64 RIGHT ANGLE HEADER ASSEMBLY (P/N: 34708-4000 SHOWN)



(P1) NOTES: VALID UNLESS OTHERWISE SPECIFIED

1. GENERAL:
 - a. CONNECTOR HEADER MUST BE VALIDATED TO THE FOLLOWING FUNCTIONAL REQUIREMENTS:

PRODUCT SPECIFICATION:
 8-20 CKT 0.64 PRODUCT SPEC: PS-34729-020/PS-31408-100
 10 CKT HYBRID PRODUCT SPEC: PS-31372-100
 14 CKT HYBRID PRODUCT SPEC: PS-34969-100
 - b. APPLICATION REQUIREMENTS (REFERENCE ONLY):

APPLICATION SPECIFICATION: AS-34729-020/AS-31408-100
 - c. PACKAGING SPECIFICATION PER MOLEX DRAWING PK-31300-892 (TRAY)
 - d. PACKAGING SPECIFICATION PER MOLEX DRAWING PK-31301-063 (TUBE)
 - e. PACKAGING SPECIFICATION PER MOLEX DRAWING PK-31300-894 (ALT TRAY)
2. DESIGN: MATERIALS:
 - a. SHROUD (PLASTIC HOUSING):
RESIN - SPS
 - b. 0.64mm PINS:
BASE MATERIAL: COPPER ALLOY
PLATING TYPE: AS NOTED
 - 1.50/2.80mm BLADES:
BASE MATERIAL: COPPER ALLOY
PLATING TYPE: AS NOTED
3. PLATING REQUIREMENTS:
 - a. UNDERPLATING - OVERALL NICKEL
 - b. OVERPLATING - OVERALL TIN
4. FOR DESCRIPTION OF INDIVIDUAL BAYS, REFER TO THE FOLLOWING SINGLE BAY DRAWINGS:
 8-20 CKT 0.64: SD-34691-100
 10 CKT HYBRID: SD-34696-100
 14 CKT HYBRID: SD-34773-100
5. G DENOTES DIMENSIONS THAT MAY BE QUALIFIED WITH A GAUGE.

INSPECTION BALLOON NUMBER LOG	
PER DRAWING REVISION:	P1
LAST BALLOON NUMBER USED:	55
ADDED BALLOON NUMBERS:	
REMOVED BALLOON NUMBERS:	9, 10, 11, 12, 56, 57, 58, 59, 60, 61, 62, 63

FUNCTIONAL SYMBOLS	DIMENSION UNITS	SCALE
$\nabla_A = 0$	mm	4:1
$\nabla_C = 0$	GENERAL TOLERANCES (UNLESS SPECIFIED)	
$\nabla_D = 0$	ANGULAR TOL $\pm 1.0^\circ$	
	4 PLACES	\pm
	3 PLACES	\pm
	2 PLACES	± 0.13
	1 PLACE	± 0.25
	0 PLACES	\pm
	DRAFT WHERE APPLICABLE MUST REMAIN WITHIN DIMENSIONS	

P1	1. UPDATED NOTES 2. ADDED NEW P/N 34708-4021 IN SHEET 2	660202	2021.05
REV.	REV DESCRIPTION	EC#	DATE

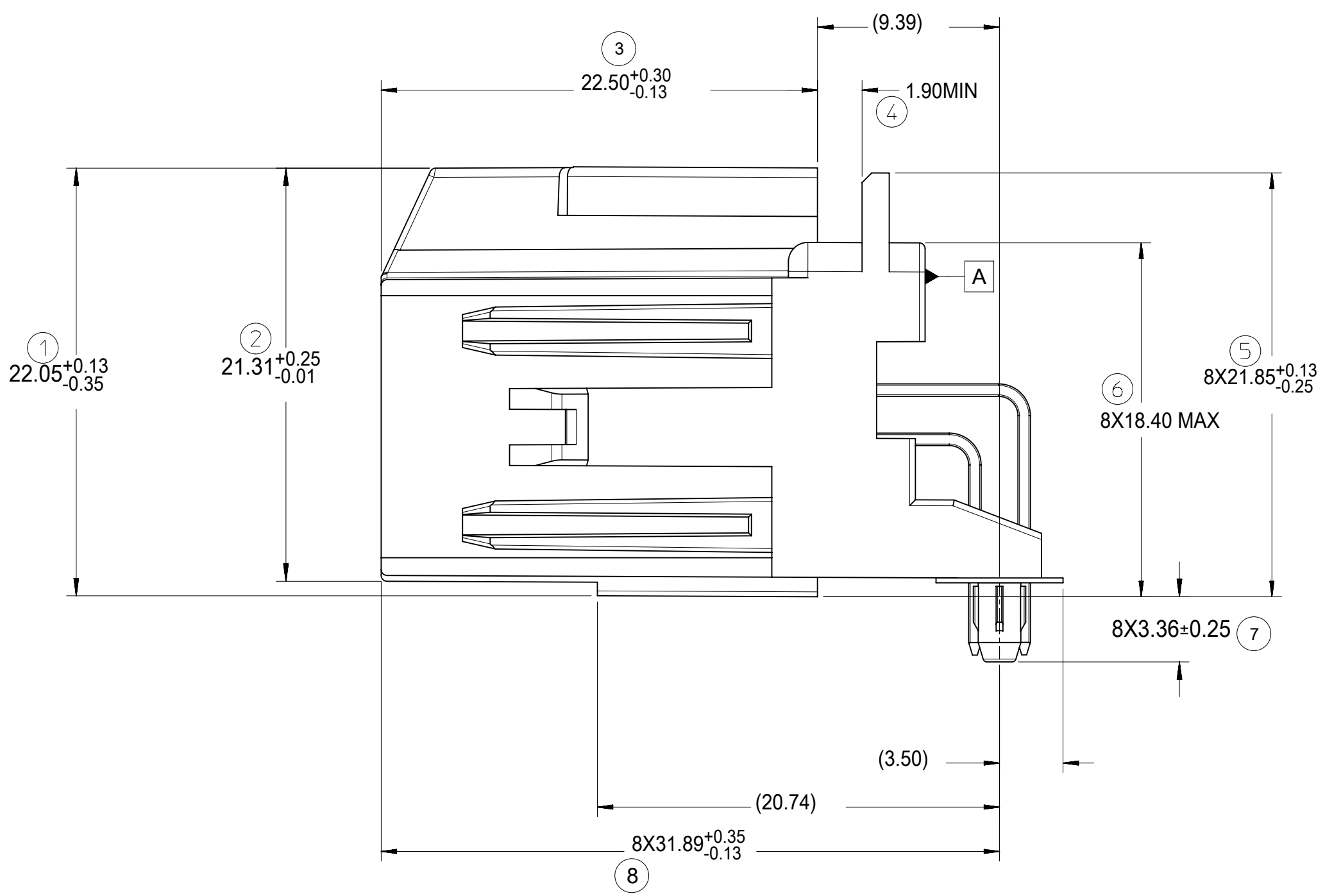
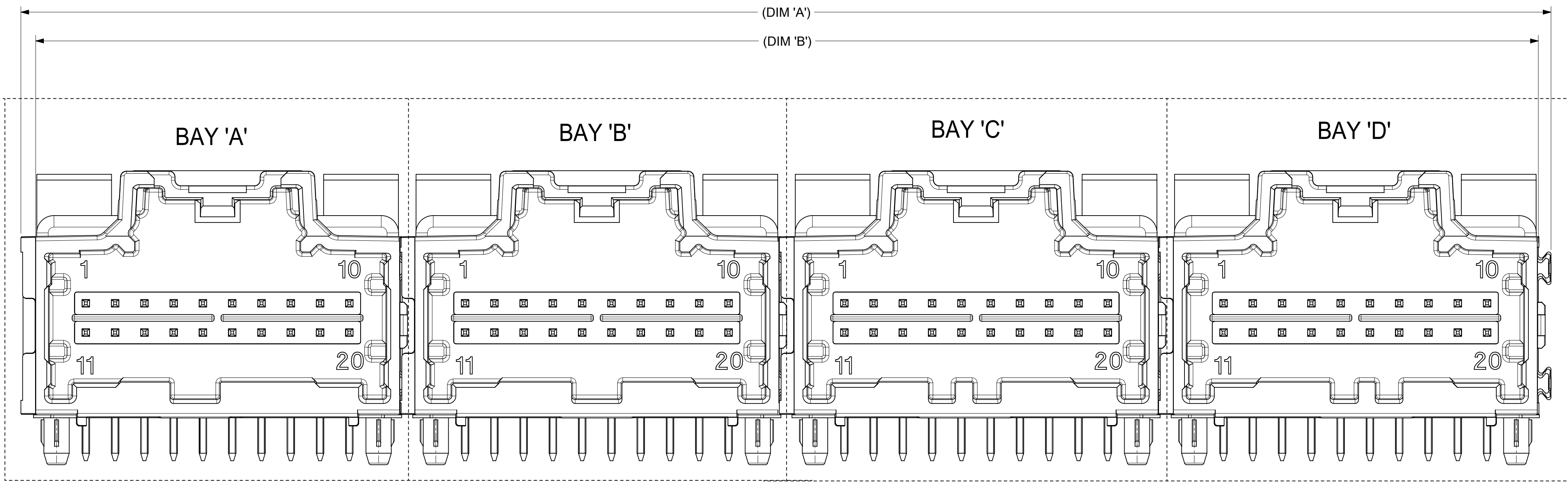
THIS DRAWING CONTAINS INFORMATION THAT IS PROPRIETARY TO MOLEX ELECTRONIC TECHNOLOGIES, LLC AND SHOULD NOT BE USED WITHOUT WRITTEN PERMISSION			
CURRENT REV DESC:		molex	
EC NO: 660202		4-BAY STAC64 RIGHT ANGLE HEADER ASSEMBLY SALES DRAWING	
DRWN: CZHANG118 2021/02/04		PRODUCT CUSTOMER DRAWING	
CHK'D: CZHANG118 2021/04/09		DOCUMENT NUMBER	
APPR: JDENG02 2021/05/18		SD-34708-400	
INITIAL REVISION:		DOC TYPE	
DRWN: VDANIELE 2008/11/14		PSD	
APPR: SMARCEAU 2008/11/14		001	
THIRD ANGLE PROJECTION		P1	
DRAWING		REVISION	
D-SIZE		MATERIAL NUMBER	
34708		CUSTOMER	
GENERAL MARKET		SHEET NUMBER	
		1 OF 5	

DIMENSIONAL CHART FOR MULTIBAY CONFIGURATION

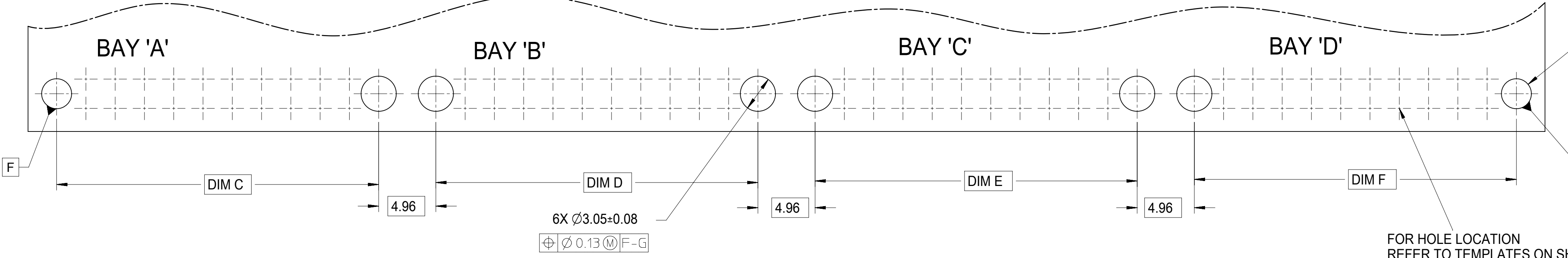
4 BAY PART NUMBER (ALT TRAY)	4 BAY PART NUMBER (TUBE PKG)	4 BAY PART NUMBER (TRAY PKG)	BAY A			BAY B			BAY C			BAY D			DIM 'A'	DIM 'B'	DIM 'C'	DIM 'D'	DIM 'E'	DIM 'F'
			CKT	TYPE	POL	CKT	TYPE	POL	CKT	TYPE	POL	CKT	TYPE	POL						
TBD	34708-9000	34708-4000	20	0.64mm	A	20	0.64mm	B	20	0.64mm	C	20	0.64mm	D	132.74	130.27	27.94	27.94	27.94	27.94
TBD	TBD	34708-4010	12	0.64mm	A	12	0.64mm	B	16	0.64mm	A	8	0.64mm	A	92.10	89.63	17.78	17.78	22.86	12.70
TBD	TBD	34708-4020	16	0.64mm	B	8	0.64mm	B	16	0.64mm	C	12	0.64mm	C	97.18	94.71	22.86	12.70	22.86	17.78
TBD	TBD	34708-4030	16	0.64mm	A	20	0.64mm	A	12	0.64mm	A	20	0.64mm	B	117.50	115.03	22.86	27.94	17.78	27.94
TBD	TBD	34708-4040	20	0.64mm	B	12	0.64mm	A	20	0.64mm	A	12	0.64mm	C	112.42	109.95	27.94	17.78	27.94	17.78
TBD	TBD	34708-4050	20	0.64mm	A	16	0.64mm	A	8	0.64mm	A	10	HYBRID	A	112.42	109.95	27.94	22.86	12.70	27.94
TBD	TBD	34708-4060	20	0.64mm	C	20	0.64mm	A	20	0.64mm	B	12	0.64mm	A	122.58	120.11	27.94	27.94	27.94	17.78
TBD	TBD	34708-4070	12	0.64mm	A	20	0.64mm	D	20	0.64mm	C	20	0.64mm	A	122.58	120.11	17.78	27.94	27.94	27.94
TBD	TBD	34708-4080	20	0.64mm	B	8	0.64mm	A	20	0.64mm	A	12	0.64mm	A	107.34	104.87	27.94	12.70	27.94	17.78
TBD	TBD	34708-4090	12	0.64mm	A	20	0.64mm	A	20	0.64mm	B	20	0.64mm	C	122.58	120.11	17.78	27.94	27.94	27.94
TBD	TBD	34708-4011	16	0.64mm	B	16	0.64mm	A	8	0.64mm	A	10	HYBRID	A	107.34	104.87	22.86	22.86	12.70	27.94
TBD	TBD	34708-4012	8	0.64mm	B	20	0.64mm	D	12	0.64mm	A	12	0.64mm	C	97.18	94.71	12.70	27.94	17.78	17.78
TBD	34708-9013	34708-4013	16	0.64mm	A	20	0.64mm	B	20	0.64mm	C	20	0.64mm	D	127.66	125.19	22.86	27.94	27.94	27.94
TBD	TBD	34708-4014	8	0.64mm	A	20	0.64mm	C	20	0.64mm	B	10	HYBRID	A	117.50	115.03	12.70	27.94	27.94	27.94
TBD	34708-9015	34708-4015	20	0.64mm	A	20	0.64mm	B	20	0.64mm	C	8	0.64mm	A	117.50	115.03	27.94	27.94	27.94	12.70
TBD	34708-9016	34708-4016	20	0.64mm	A	20	0.64mm	B	20	0.64mm	C	12	0.64mm	A	122.58	120.11	27.94	27.94	27.94	17.78
TBD	TBD	34708-4017	20	0.64mm	D	20	0.64mm	A	20	0.64mm	B	20	0.64mm	C	132.74	130.27	27.94	27.94	27.94	27.94
TBD	TBD	34708-4018	20	0.64mm	C	20	0.64mm	A	20	0.64mm	B	16	0.64mm	A	127.66	125.19	27.94	27.94	27.94	22.86
34708-9519	TBD	34708-4019	10	HYBRID	A	16	0.64mm	C	12	0.64mm	B	20	0.64mm	A	117.50	115.03	27.94	22.86	17.78	27.94
P1 TBD	TBD	34708-4021	10	HYBRID	A	14	HYBRID	A	16	0.64mm	A	20	0.64mm	A	127.66	125.19	27.94	27.94	22.86	27.94

FUNCTIONAL SYMBOLS FA = 0 FC = 0 FD = 0	THIS DRAWING CONTAINS INFORMATION THAT IS PROPRIETARY TO MOLEX ELECTRONIC TECHNOLOGIES, LLC AND SHOULD NOT BE USED WITHOUT WRITTEN PERMISSION		CURRENT REV DESC:		molex
	DIMENSION UNITS mm	SCALE 1:1			
DIVISIONAL SYMBOLS	GENERAL TOLERANCES (UNLESS SPECIFIED)		EC NO: 660202		4-BAY STAC64 RIGHT ANGLE HEADER ASSEMBLY SALES DRAWING
	ANGULAR TOL ± 1.0°		DRWN: CZHANG118 2021/02/04		
	4 PLACES ±		CHK'D: CZHANG118 2021/04/09		
	3 PLACES ±		APPR: JDENG02 2021/05/18		
	2 PLACES ± 0.13		INITIAL REVISION:		
1 PLACE ± 0.25		DRWN: VDANIELE 2008/11/14		SD-34708-400	
0 PLACES ±		APPR: SMARCEAU 2008/11/14			
DRAFT WHERE APPLICABLE MUST REMAIN WITHIN DIMENSIONS		THIRD ANGLE PROJECTION	DRAWING	SERIES	DOCUMENT NUMBER
			D-SIZE	34708	PSD 001 P1
					DOC TYPE DOC PART REVISION
					SD-34708-400 PSD 001 P1
					MATERIAL NUMBER CUSTOMER SHEET NUMBER
					GENERAL MARKET 2 OF 5

TABLE OF CONTENTS			
3	4 BAY ASSEMBLY VIEW, RECOMMENDED PCB LAYOUT, FLUSH MOUNTING VIEW, POST HOLE TABLE, DIMENSION DETAILS		



RECOMMENDED PCB LAYOUT
INSERT NECESSARY BAYS USING CHART ON SHEET 2.



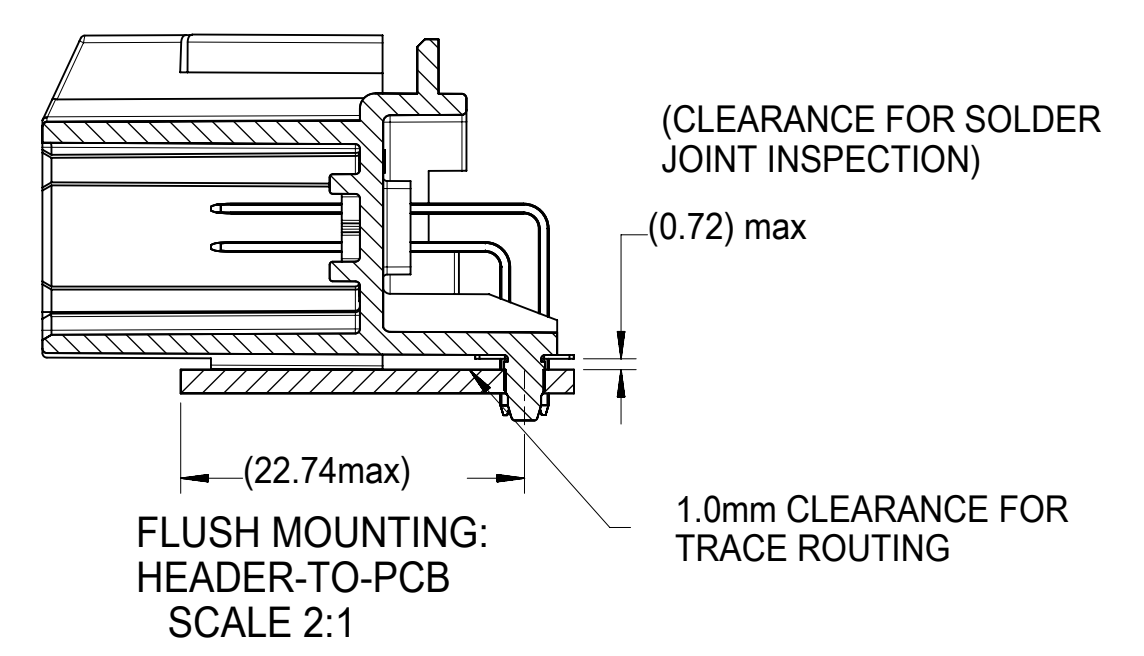
REFER TO POST HOLE TABLE

2X ØZ ± 0.08
⊕ Ø0.13 (M) F

POST HOLE TABLE:

FOR DIM Z:	
PRESS FIT:	2.60
DROP IN:	3.05

ALL CIRCUIT SIZES



FUNCTIONAL SYMBOLS FA = 0 FE = 0 FP = 0 DIVISIONAL SYMBOLS	THIS DRAWING CONTAINS INFORMATION THAT IS PROPRIETARY TO MOLEX ELECTRONIC TECHNOLOGIES, LLC AND SHOULD NOT BE USED WITHOUT WRITTEN PERMISSION		CURRENT REV DESC:	
	DIMENSION UNITS	SCALE	EC NO: 660202	
	mm	4:1	DRWN: CZHANG118	2021/02/04
	GENERAL TOLERANCES (UNLESS SPECIFIED)		CHK'D: CZHANG118	2021/04/09
ANGULAR TOL ± 1.0°		APPR: JDENG02	2021/05/18	
4 PLACES ±		INITIAL REVISION:		
3 PLACES ±		DRWN: VDANIELE	2008/11/14	
2 PLACES ± 0.13		APPR: SMARCEAU	2008/11/14	
1 PLACE ± 0.25		THIRD ANGLE PROJECTION		
0 PLACES ±		D-DRAWING		
DRAFT WHERE APPLICABLE MUST REMAIN WITHIN DIMENSIONS		SERIES		
		34708		
DOCUMENT STATUS		MATERIAL NUMBER		
P1	RELEASE DATE	CUSTOMER		
2021/05/18	01:49:26	GENERAL MARKET		
		SHEET NUMBER		
		3 OF 5		

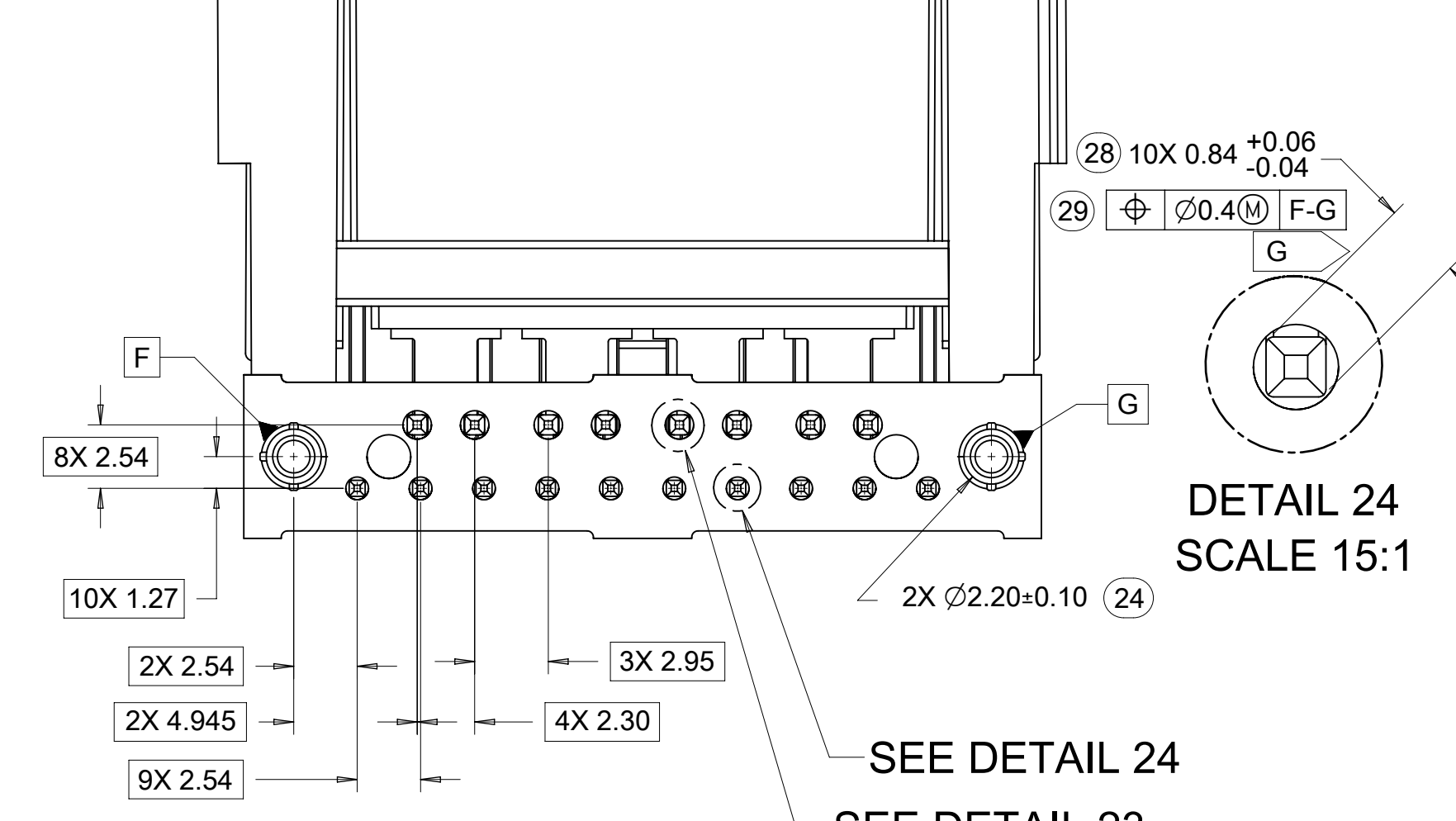
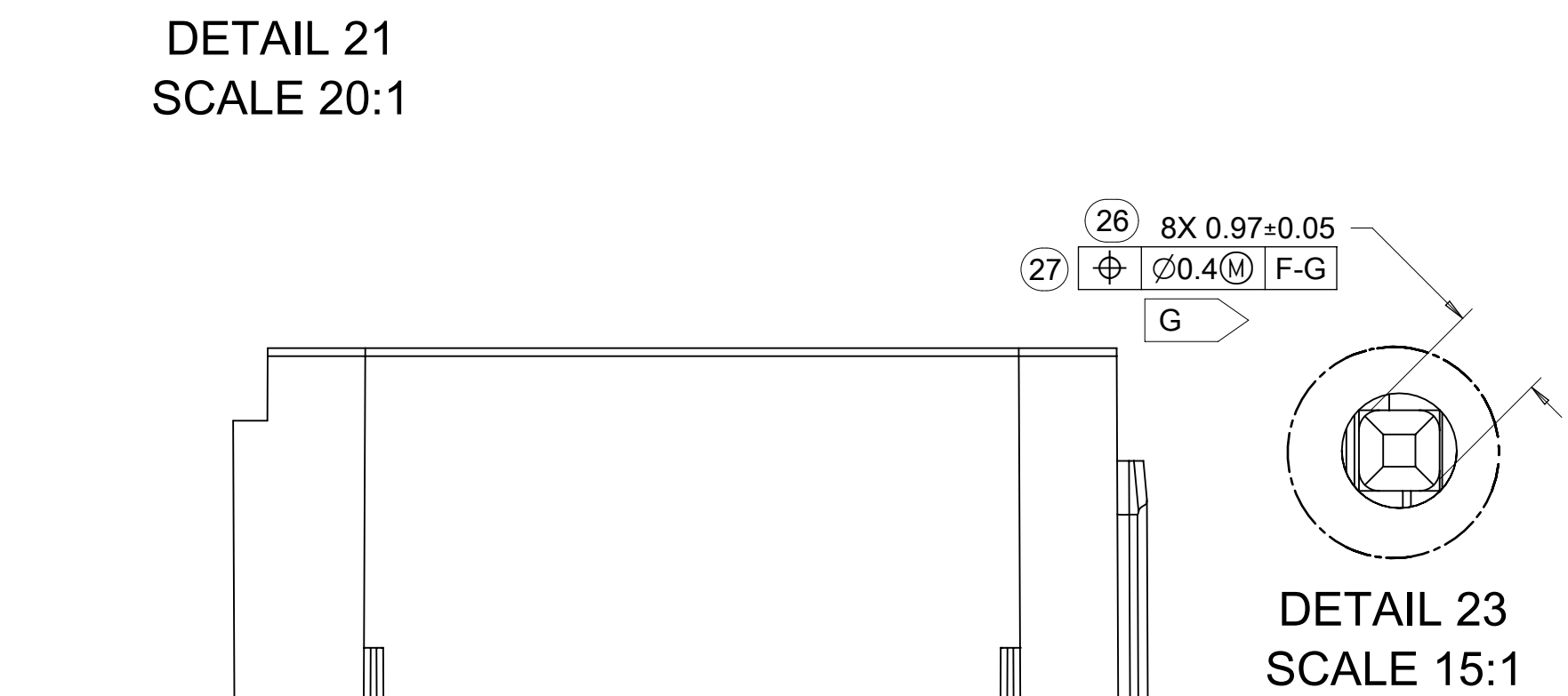
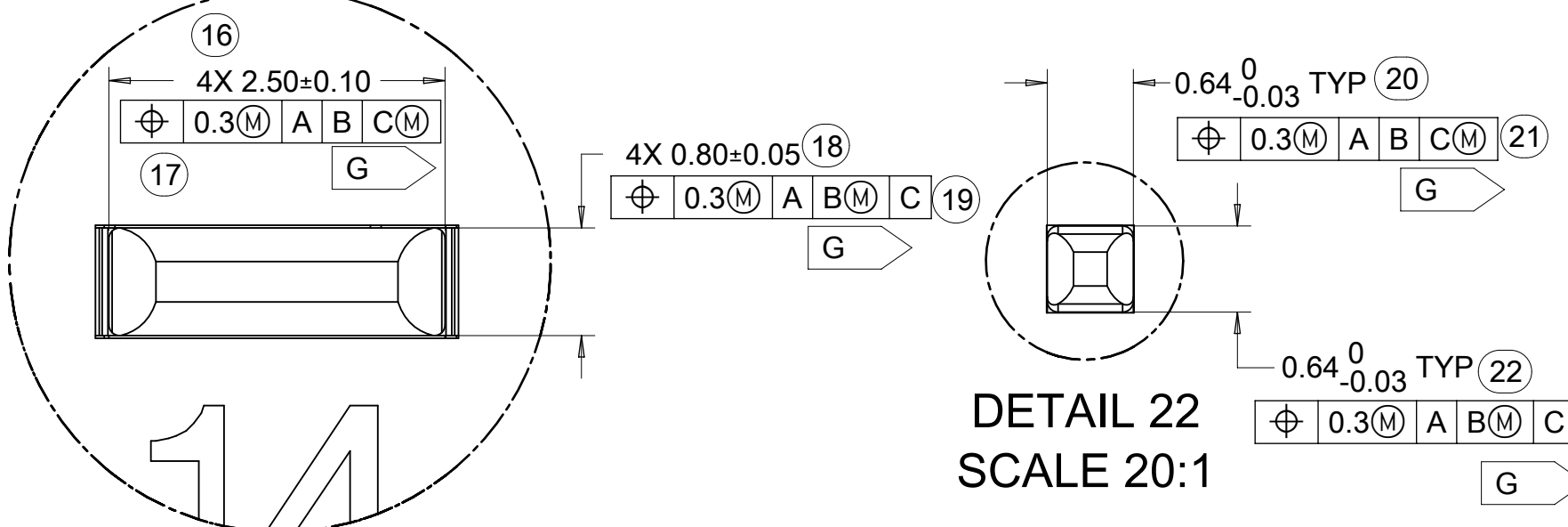
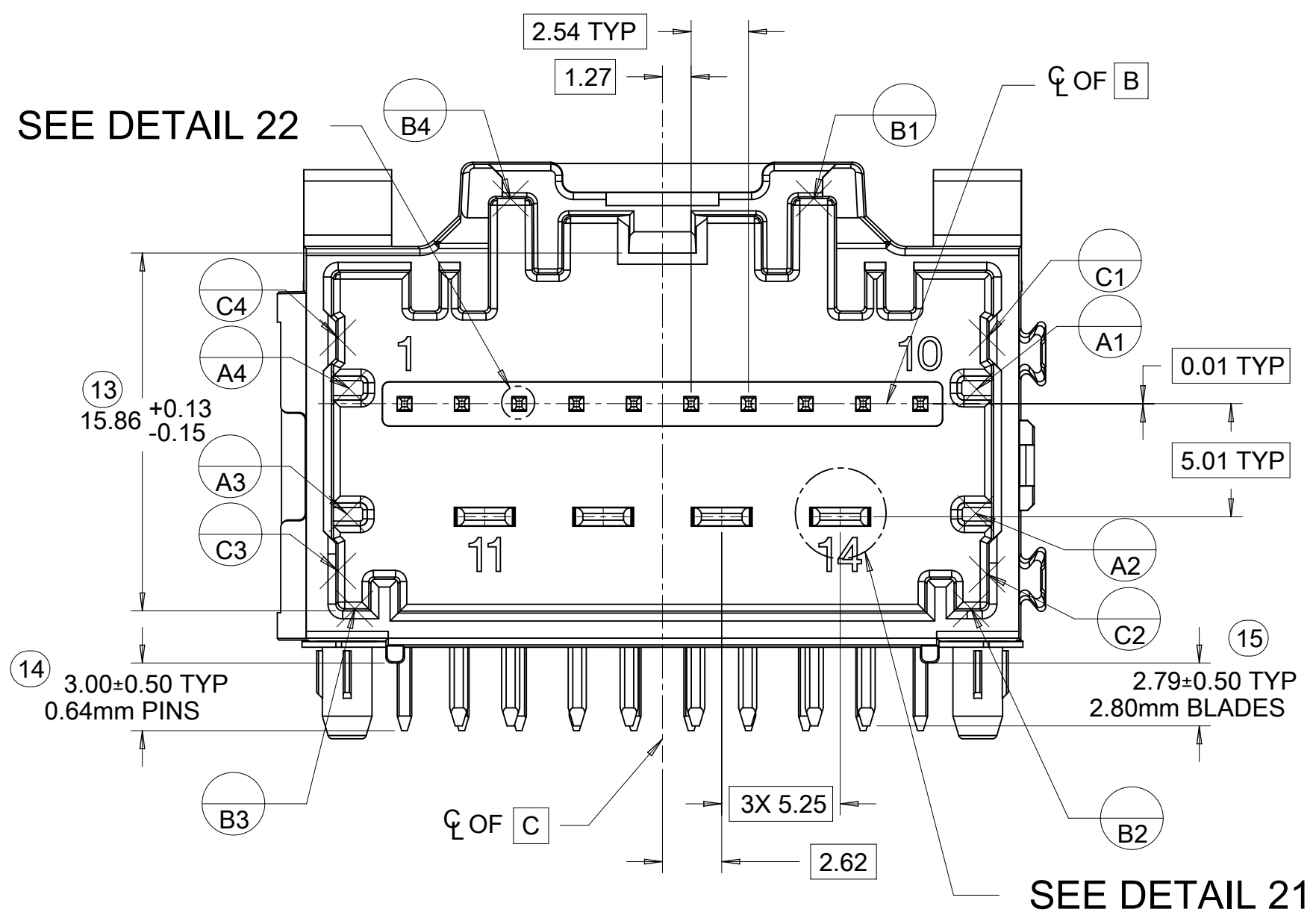


4-BAY STAC64 RIGHT ANGLE
HEADER ASSEMBLY SALES DRAWING

PRODUCT CUSTOMER DRAWING

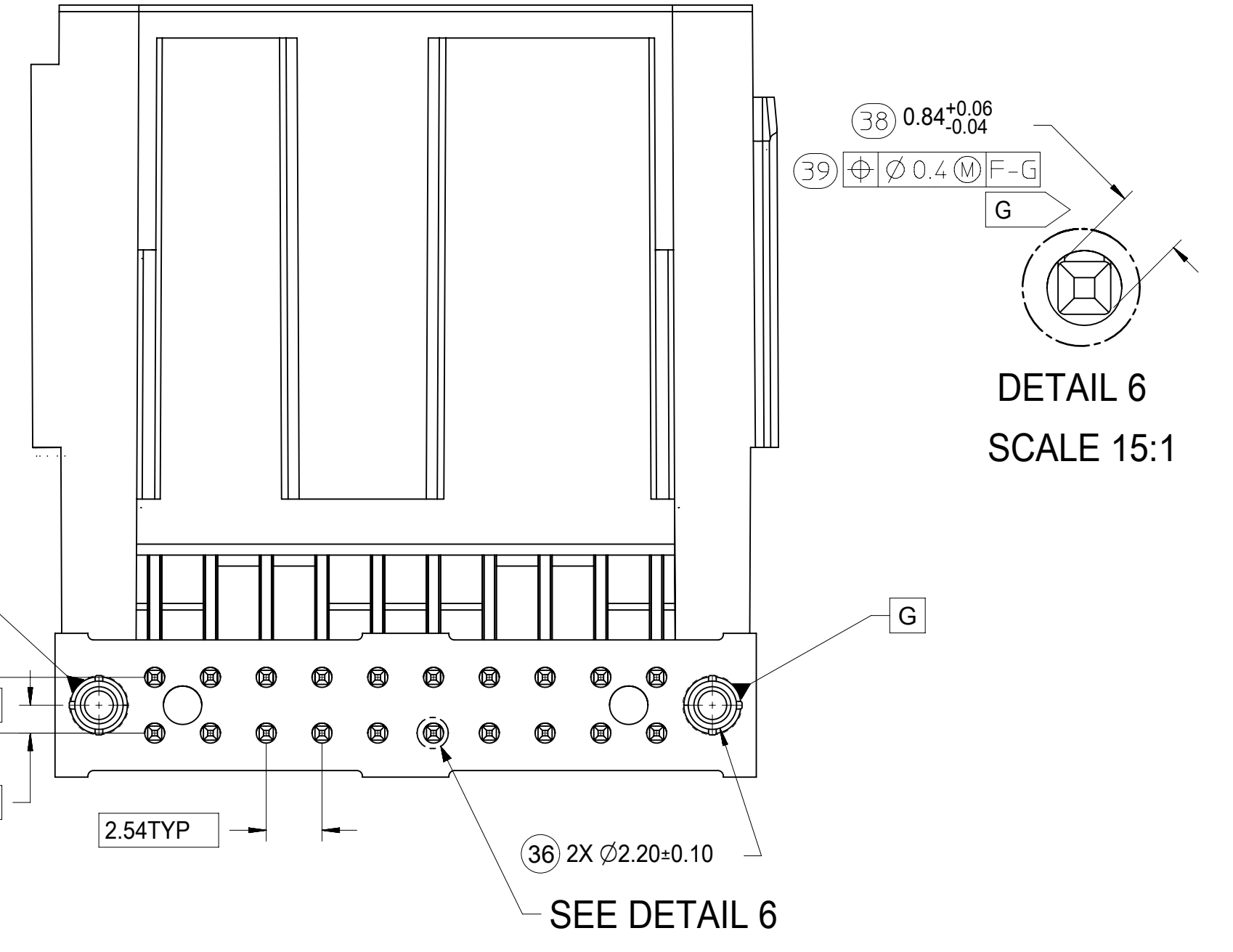
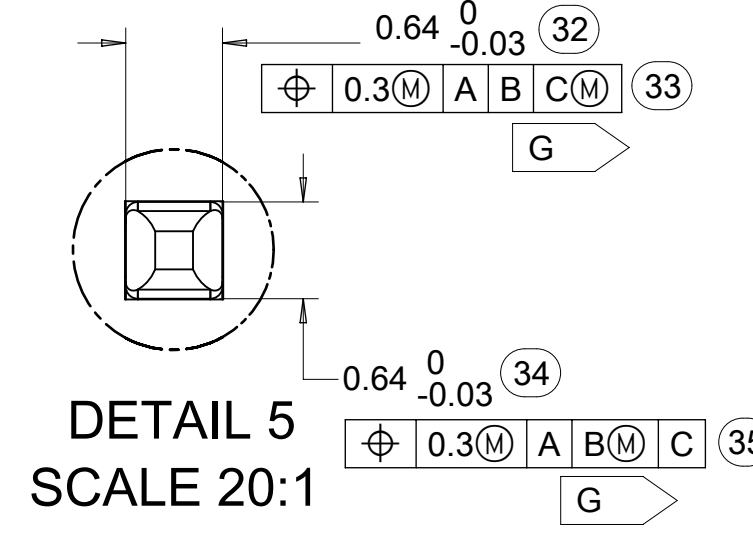
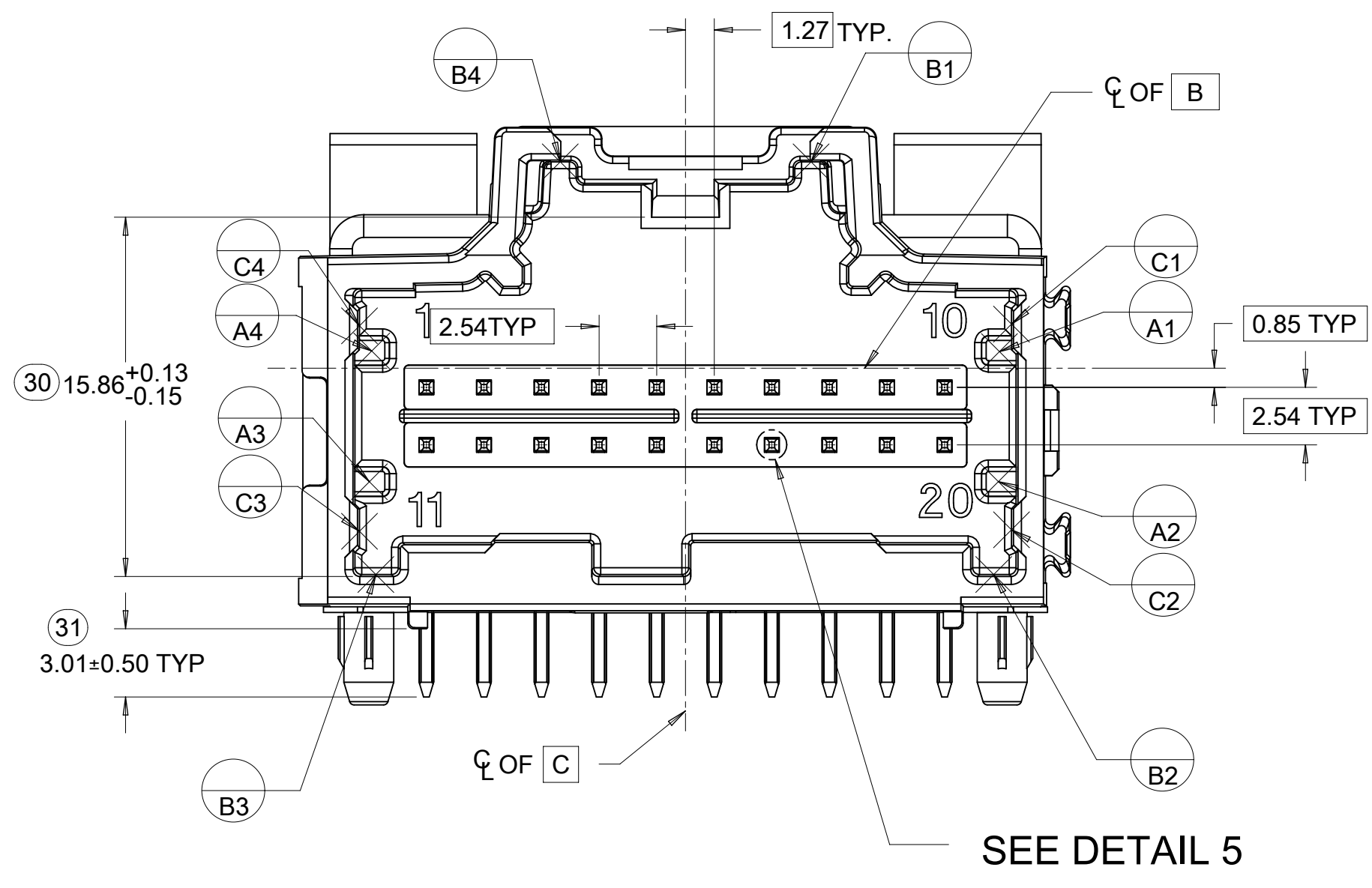
DOCUMENT NUMBER: SD-34708-400
DOC TYPE: PSD
DOC PART: 001
REVISION: P1

14 CKT HYBRID HEADER DETAILS

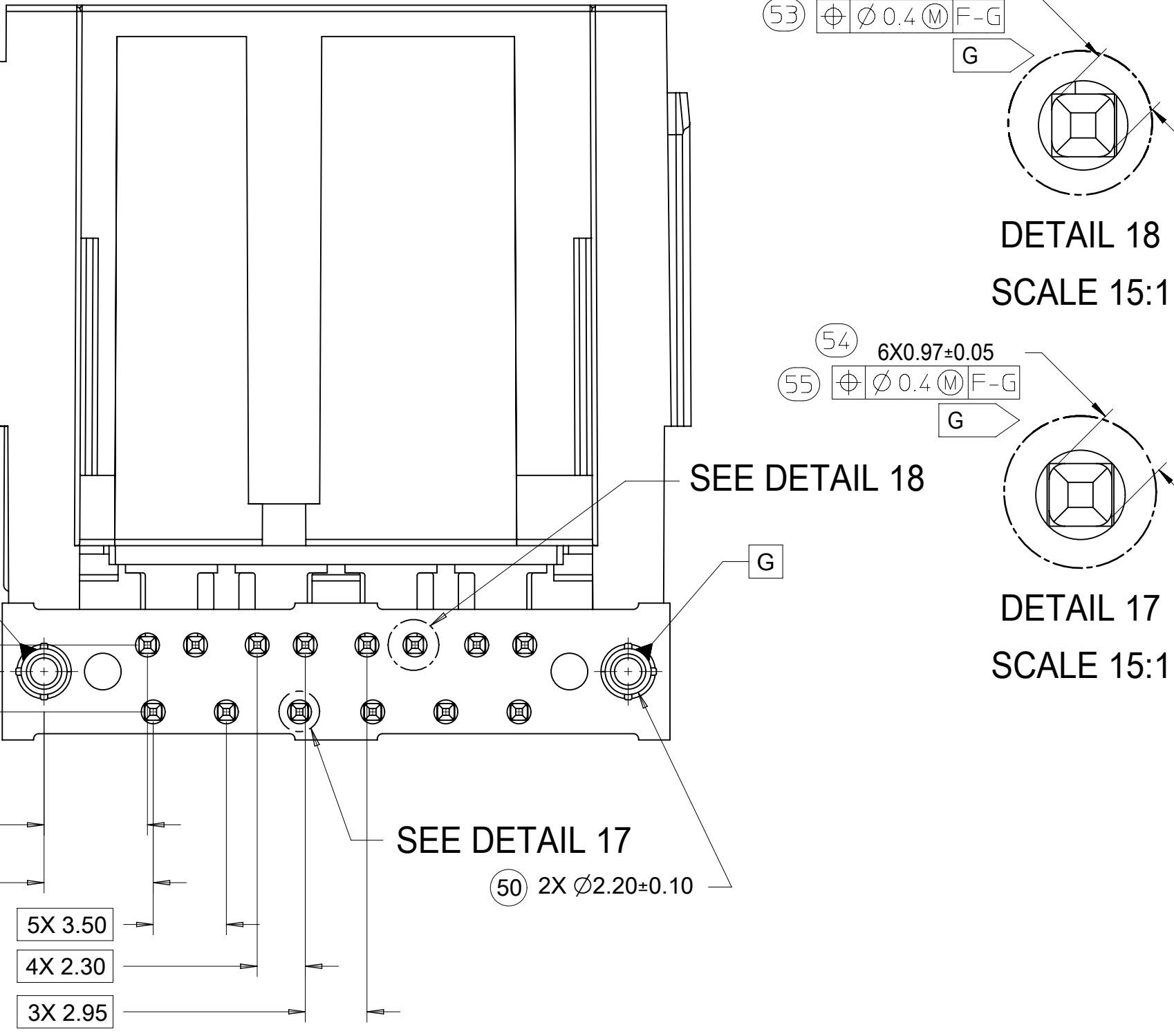
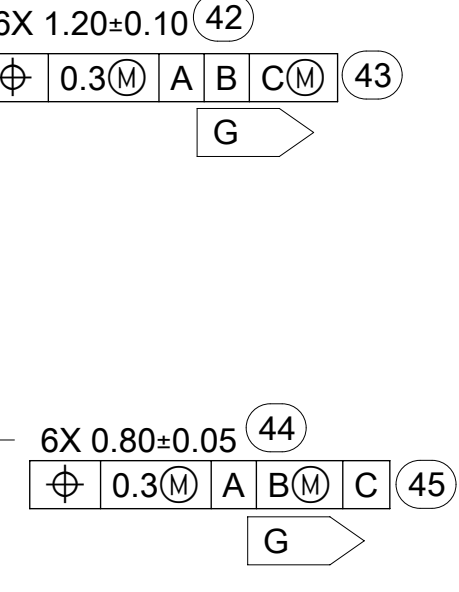
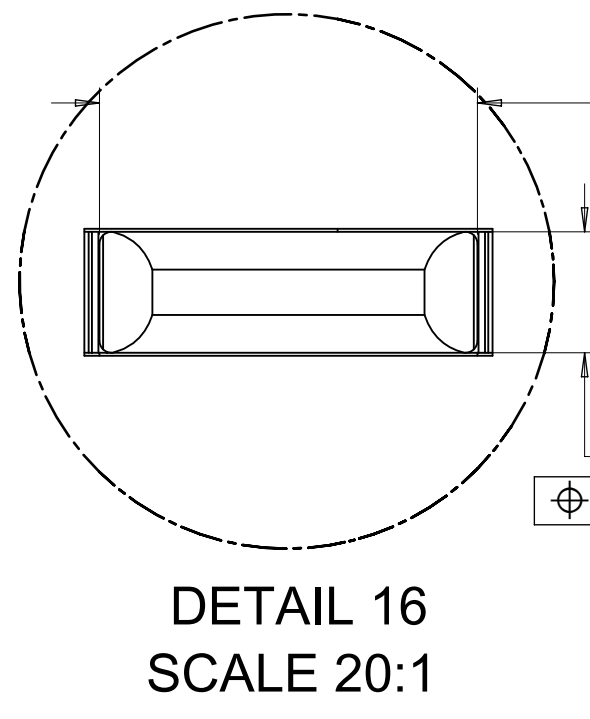
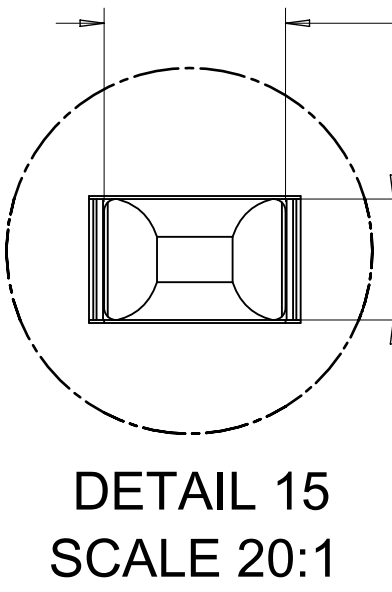
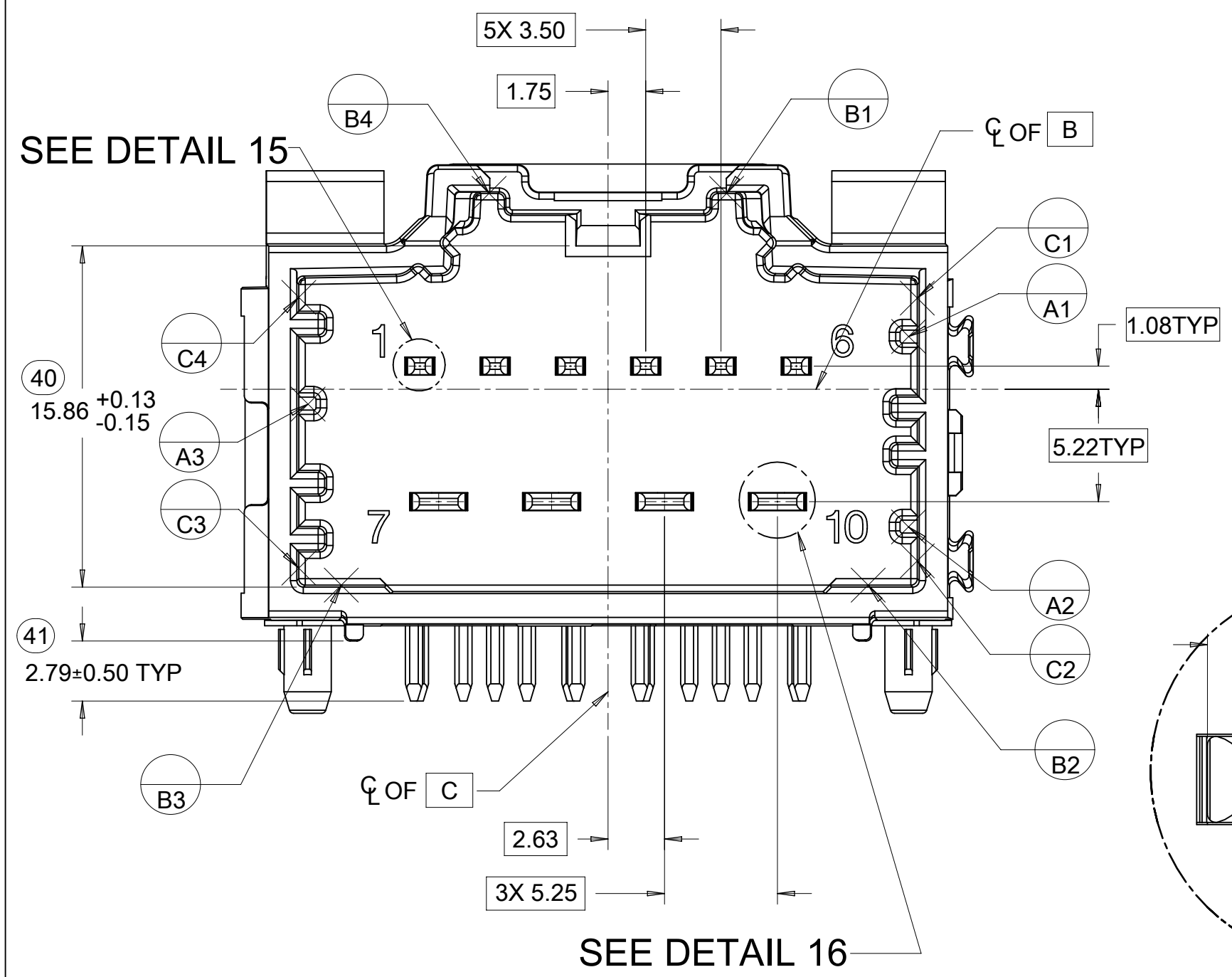


DOCUMENT STATUS	P1	RELEASE DATE	2021/05/18 01:49:26
-----------------	----	--------------	---------------------

8-20CKT STAC 0.64mm HEADER DETAILS

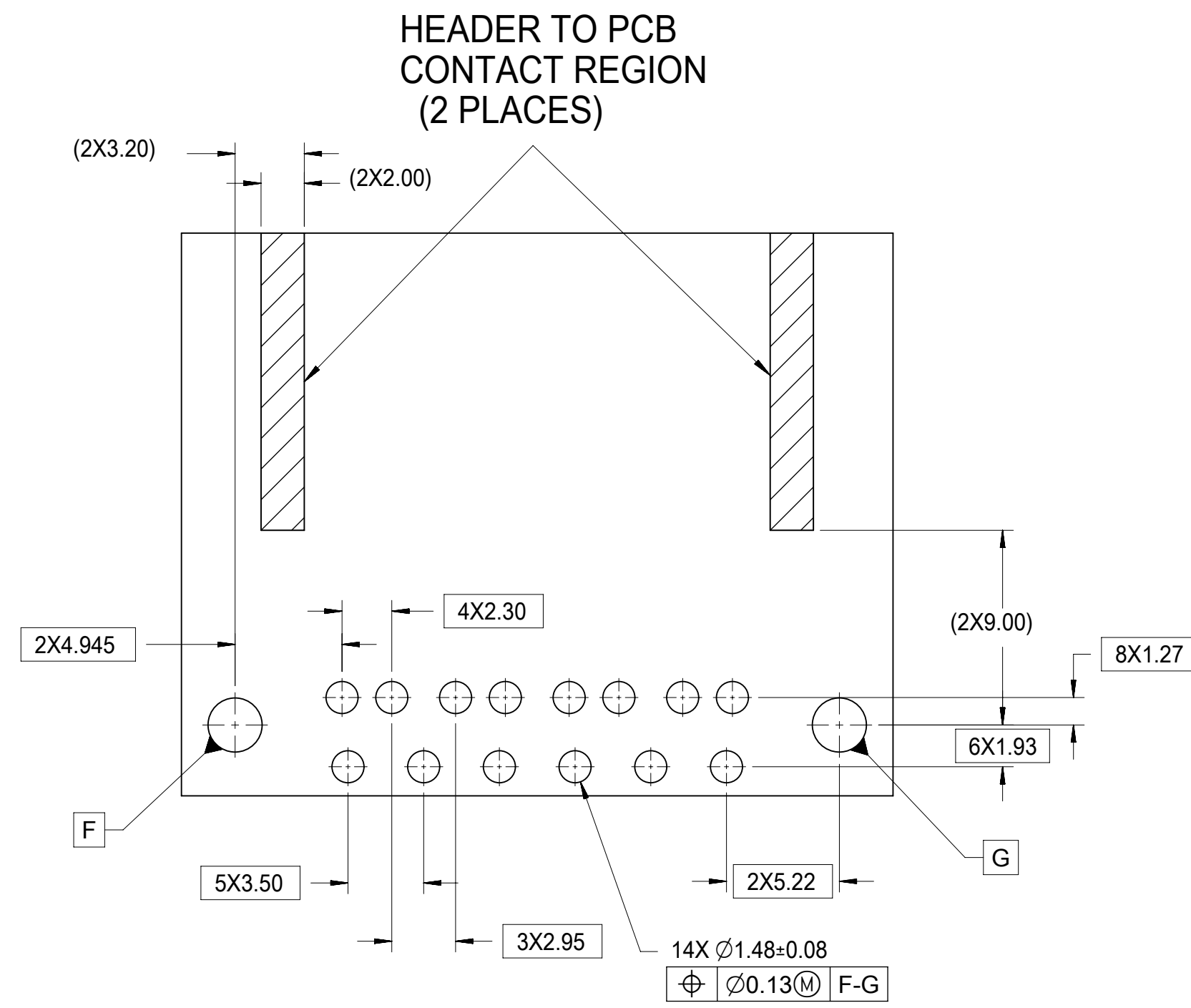


10CKT STAC HYBRID HEADER DETAILS

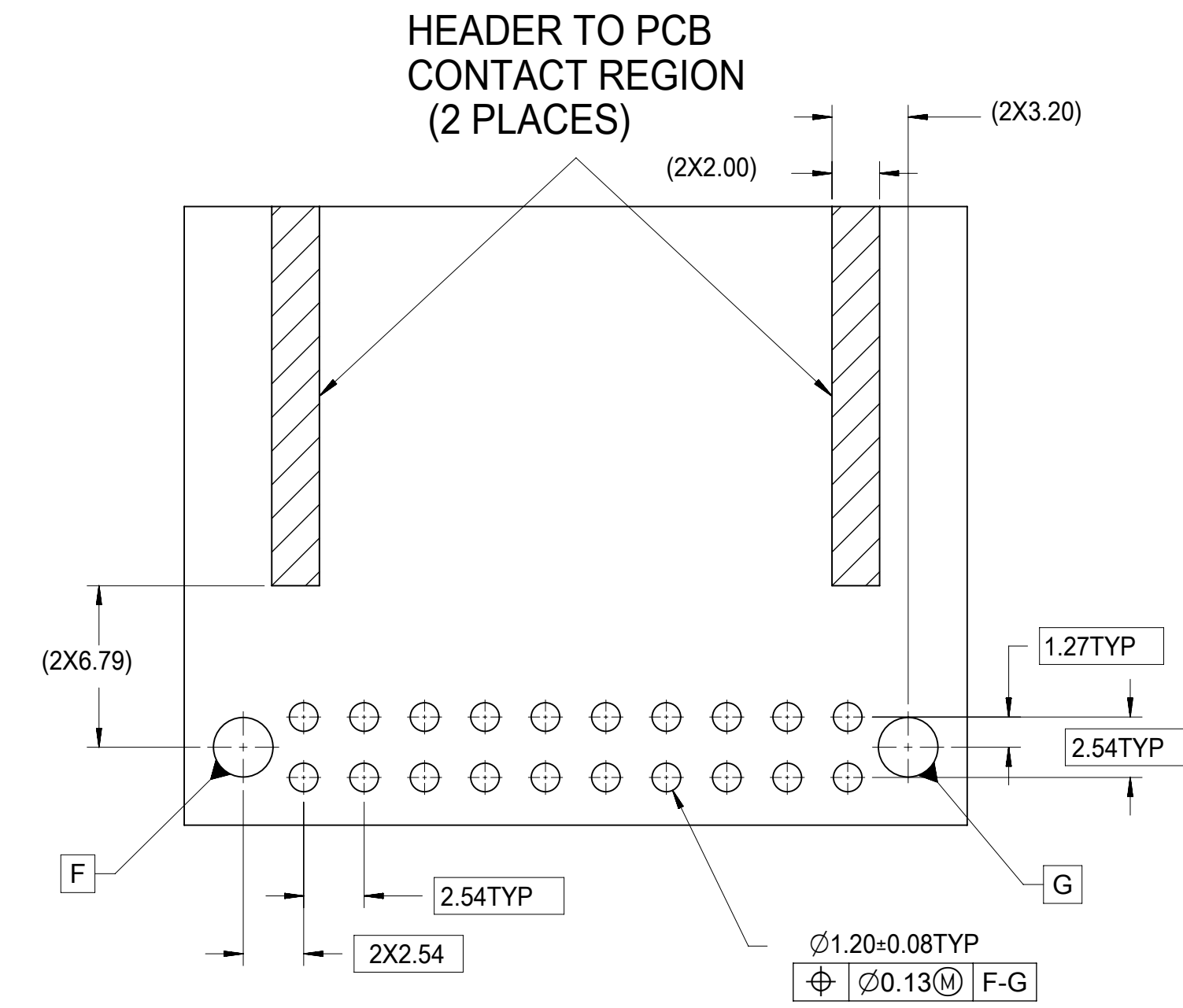


FUNCTIONAL SYMBOLS	THIS DRAWING CONTAINS INFORMATION THAT IS PROPRIETARY TO MOLEX ELECTRONIC TECHNOLOGIES, LLC AND SHOULD NOT BE USED WITHOUT WRITTEN PERMISSION		CURRENT REV DESC:	
	FA = 0	mm		
DIVISIONAL SYMBOLS	GENERAL TOLERANCES (UNLESS SPECIFIED)		EC NO: 660202 DRWN: CZHANG118 2021/02/04 CHK'D: CZHANG118 2021/04/09 APPR: JDENG02 2021/05/18	4-BAY STAC64 RIGHT ANGLE HEADER ASSEMBLY SALES DRAWING
	FA = 0	ANGULAR TOL ± 1.0°		
DIVISIONAL SYMBOLS	4 PLACES	±	INITIAL REVISION: DRWN: VDANIELE 2008/11/14 APPR: SMARCEAU 2008/11/14	PRODUCT CUSTOMER DRAWING
	3 PLACES	±		DOCUMENT NUMBER
	2 PLACES	± 0.13		SD-34708-400
	1 PLACE	± 0.25		DOC TYPE DOC PART REVISION
DRAFT WHERE APPLICABLE MUST REMAIN WITHIN DIMENSIONS		THIRD ANGLE PROJECTION	DRAWING SERIES	D-SIZE 34708
		MATERIAL NUMBER		GENERAL MARKET
		CUSTOMER		SHEET NUMBER
				4 OF 5

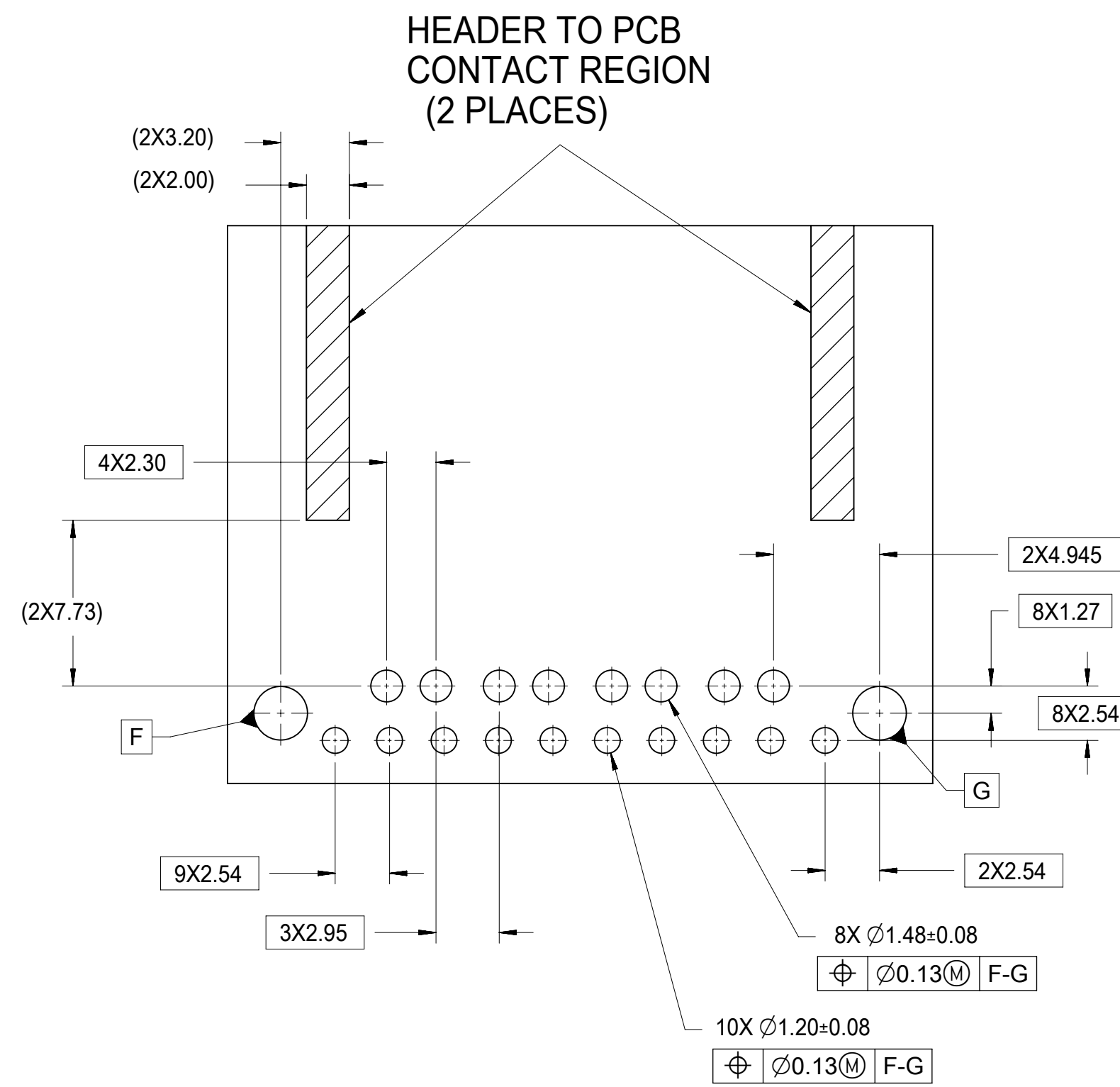
10 CKT HYBRID TEMPLATE PCB LAYOUT



8-20CKT 0.64mm TEMPLATE PCB LAYOUT



14 CKT HYBRID TEMPLATE PCB LAYOUT



FUNCTIONAL SYMBOLS	THIS DRAWING CONTAINS INFORMATION THAT IS PROPRIETARY TO MOLEX ELECTRONIC TECHNOLOGIES, LLC AND SHOULD NOT BE USED WITHOUT WRITTEN PERMISSION		
	DIMENSION UNITS	SCALE	CURRENT REV DESC:
$F_A = 0$	mm	4:1	
$F_C = 0$	GENERAL TOLERANCES (UNLESS SPECIFIED)		
$F_P = 0$	ANGULAR TOL ± 1.0°		
DIVISIONAL SYMBOLS	4 PLACES	±	EC NO: 660202
	3 PLACES	±	DRWN: CZHANG118 2021/02/04
	2 PLACES	± 0.13	CHK'D: CZHANG118 2021/04/09
	1 PLACE	± 0.25	APPR: JDENG02 2021/05/18
	0 PLACES	±	INITIAL REVISION:
DRAFT WHERE APPLICABLE MUST REMAIN WITHIN DIMENSIONS		THIRD ANGLE PROJECTION	DRAWING
			D-SIZE
			SERIES
			34708
			MATERIAL NUMBER
			CUSTOMER
			GENERAL MARKET
			SHEET NUMBER
			5 OF 5

molex

4-BAY STAC64 RIGHT ANGLE
HEADER ASSEMBLY SALES DRAWING

PRODUCT CUSTOMER DRAWING

DOCUMENT NUMBER	DOC TYPE	DOC PART	REVISION
SD-34708-400	PSD	001	P1