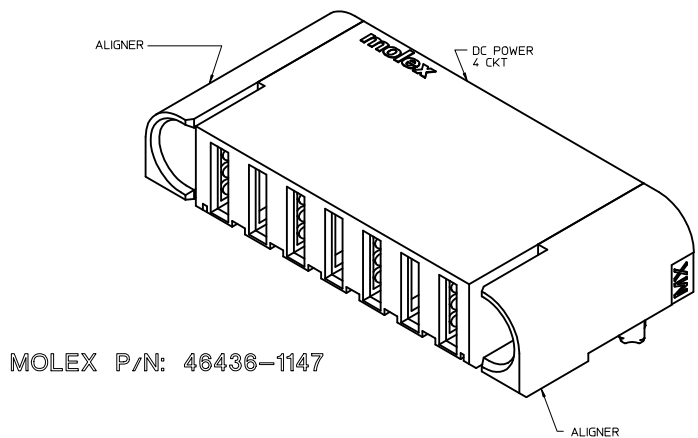
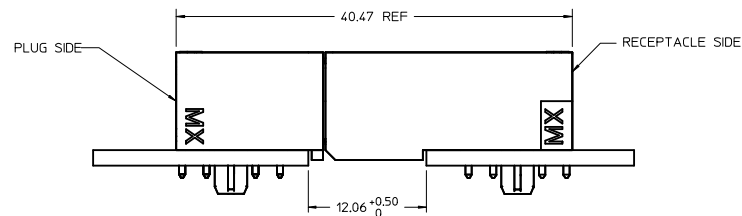
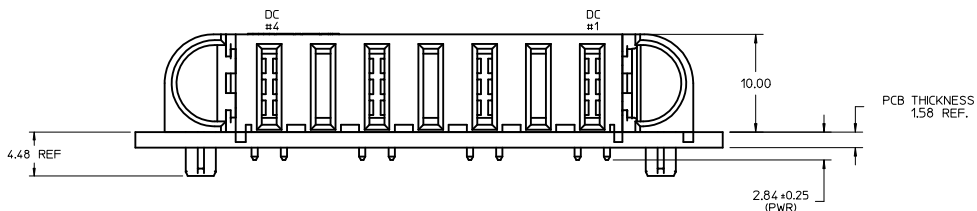


RECOMMENDED PCB LAY-OUT AND KEEP-OUT ZONE



NOTES:

- MATERIAL:
 - HOUSINGS: LCP UL94 V-0, COLOR: BLACK.
 - TERMINALS: COPPER ALLOY.
 - PLATING: 0.000127 NICKEL OVERALL WITH 0.00254 SELECTIVE MATTE TIN ON COMPLIANT PINS. AND 0.000762 SELECTIVE GOLD ON CONTACT AREA.
- PACKAGING ASSEMBLIES TO BE TRAY PACKED. STD. QUANTITY: TBD.
- PC BOARD REQUIRES SOLDER THRU HOLES. REFER TO PS-46436-100 FOR DETAILS.
- PRODUCT SPEC: PS-46436-100.
- APPLICATION SPEC: AS-46436-100.
- PRODUCT TO MEET RoHS REQUIREMENTS.
- ASSEMBLY MATES WITH MOLEX PLUG ASSEMBLY, P/N 46437-1147.

REV	DESCRIPTION	QUALITY SYMBOLS		GENERAL TOLERANCES (UNLESS SPECIFIED)		DIMENSION STYLE		SCALE	DESIGN UNITS	THIRD ANGLE PROJECTION
		mm	INCH	mm	INCH	MM ONLY	4:1	METRIC	☉	
RELEASED	EC NO: UCP2011-1273	4 PLACES	± 0.25	± 0.25	± 0.25	DRAWN BY	DATE	TITLE	R/A RECEPTACLE ASSY 4DC CKT TEN60 FAMILY	
A	DRW:MKARADIMAS 2010/06/04	3 PLACES	± 0.25	± 0.25	± 0.25	CHECKED BY	DATE		MOLEX INCORPORATED	
	CHKD:MKOSTIC 2010/11/02	2 PLACES	± 0.25	± 0.25	± 0.25	APPROVED BY	DATE		MOLEX INCORPORATED	
	APPR:APATEL 2010/11/15	1 PLACE	± 0.25	± 0.25	± 0.25	APATEL	2010/11/15		MOLEX INCORPORATED	
		ANGULAR ±1/2°		DRAFT WHERE APPLICABLE MUST REMAIN WITHIN DIMENSIONS		MATERIAL NO.	46436-1147	DOCUMENT NO.	SD-46436-1147	
		SIZE D		THIS DRAWING CONTAINS INFORMATION THAT IS PROPRIETARY TO MOLEX INCORPORATED AND SHOULD NOT BE USED WITHOUT WRITTEN PERMISSION					SHEET NO. 1 OF 1	