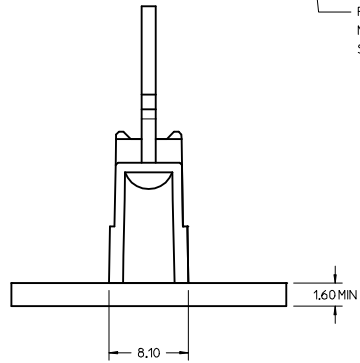
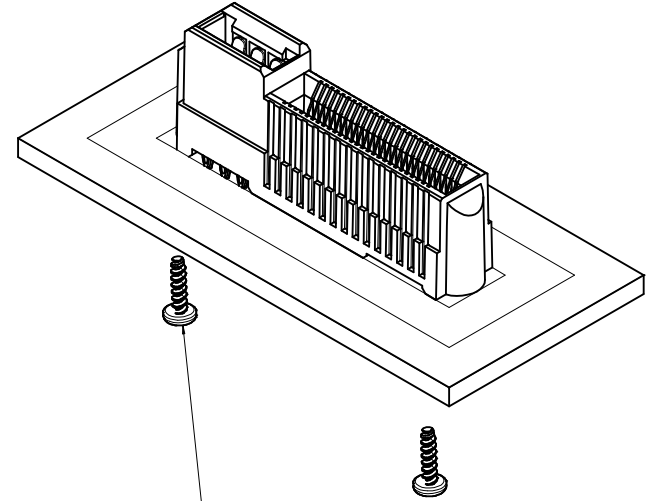
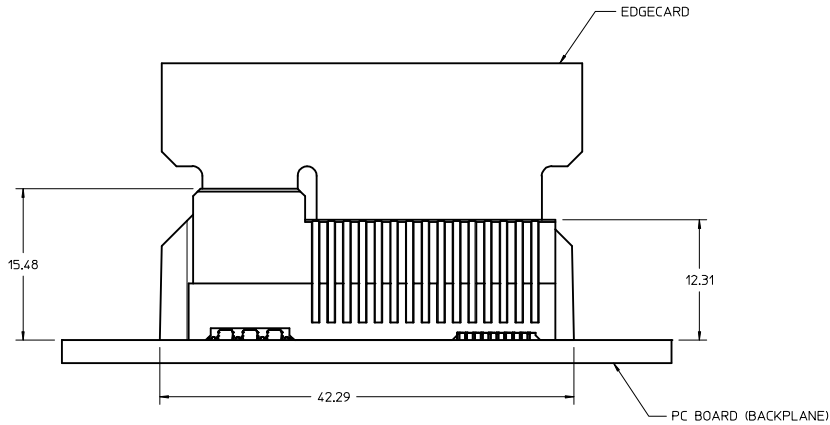
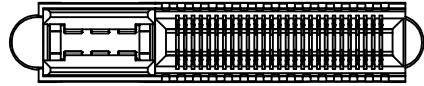


P.C. BOARD MOUNTING

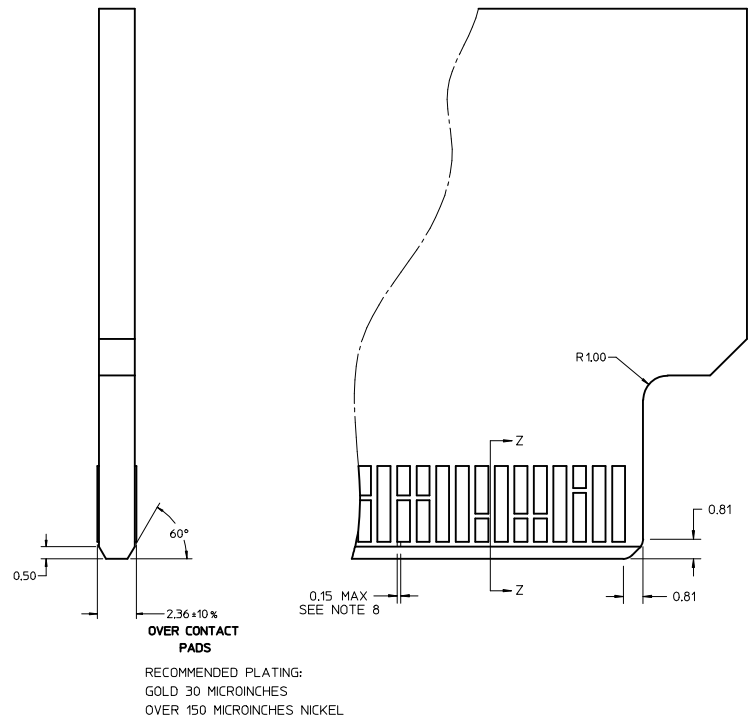
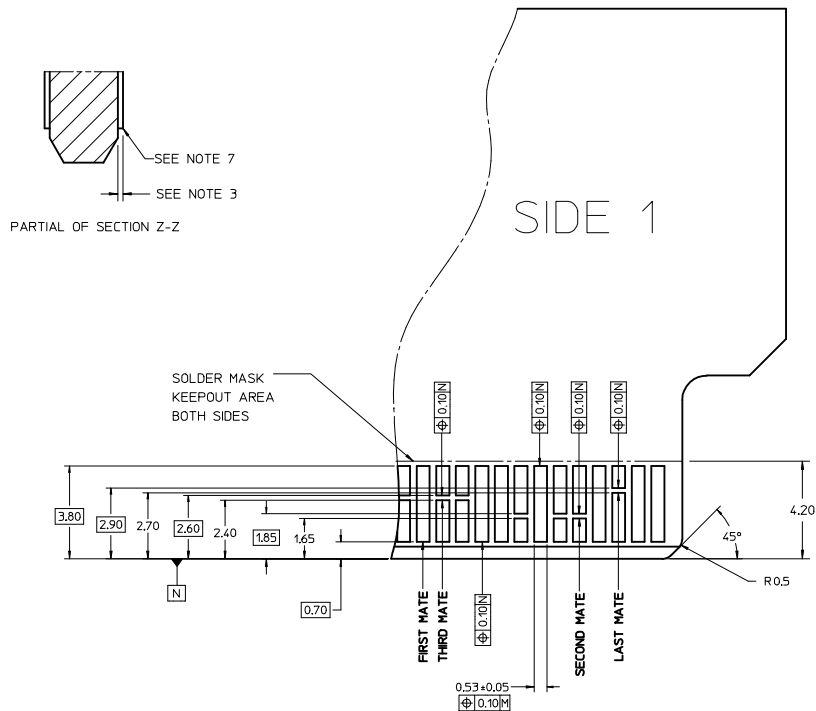


NOTES:

1. MATERIAL:
HOUSING - GLASS FILLED THERMOPLASTIC, 94-V0, BLACK
TERMINALS - COPPER ALLOY
2. FINISH:
CONTACT AREA: HARD GOLD -0.76 MICROMETERS MINIMUM OVER 3.80 MICRO METER NICKEL
COMPLIANT AREA: TIN - 0.76/1.52 MICROMETERS OVER NICKEL
3. REFER TO PS-76861-100 PRODUCT SPECIFICATION FOR ALL ELECTRICAL, MECHANICAL AND ENVIRONMENTAL SPECIFICATIONS.
4. REFER TO PK-170545-5000 FOR ALL PACKAGING SPECIFICATIONS.
5. REFER TO AS-76693-100 FOR APPLICATION SPECIFICATIONS.
6. PROCESSING: PRESSFIT TO PC BOARD.
7. MATING PC BOARD THICKNESS = 2.36±10% OVER CONTACT PADS.
8. THIS PART CONFORMS TO CLASS B REQUIREMENTS OF COSMETIC SPEC PS-45499-002

TOLERANCE TYPO CORRECTION IEC NO: UICP2017-1945 DRAWN BY: MPOFF 2017/03/09 CHECKED BY: DMORGAN 2017/03/09 APPR: KLANG 2017/03/15 REV DESCRIPTION	QUALITY SYMBOLS ∇=0 ∇=0 ∇=0		GENERAL TOLERANCES (UNLESS SPECIFIED) <table border="1"> <thead> <tr> <th></th> <th>mm</th> <th>INCH</th> </tr> </thead> <tbody> <tr> <td>4 PLACES</td> <td>±---</td> <td>±---</td> </tr> <tr> <td>3 PLACES</td> <td>±---</td> <td>±---</td> </tr> <tr> <td>2 PLACES</td> <td>±0.13</td> <td>±---</td> </tr> <tr> <td>1 PLACE</td> <td>±0.25</td> <td>±---</td> </tr> <tr> <td>0 PLACE</td> <td>±---</td> <td>±---</td> </tr> </tbody> </table>			mm	INCH	4 PLACES	±---	±---	3 PLACES	±---	±---	2 PLACES	±0.13	±---	1 PLACE	±0.25	±---	0 PLACE	±---	±---	DIMENSION STYLE MM ONLY		SCALE 4:1		DESIGN UNITS METRIC		THIRD ANGLE PROJECTION	
		mm	INCH																											
	4 PLACES	±---	±---																											
	3 PLACES	±---	±---																											
2 PLACES	±0.13	±---																												
1 PLACE	±0.25	±---																												
0 PLACE	±---	±---																												
DRAFT WHERE APPLICABLE MUST REMAIN WITHIN DIMENSIONS			ANGULAR ± 2 °		DRAWN BY: MPOFF DATE: 2014/05/23 CHECKED BY: DMORGAN DATE: 2014/05/23 APPROVED BY: SMILLER DATE: 2014/07/23		MATERIAL NO: 170545-1054		TITLE: EDGELINE ESP30 12.5GB 0.093"PCB/0.8MM PITCH 54 CKTS molex																					
						DOCUMENT NO: SD-170545-1054		SHEET NO: 1 OF 3																						
THIS DRAWING CONTAINS INFORMATION THAT IS PROPRIETARY TO MOLEX INCORPORATED AND SHOULD NOT BE USED WITHOUT WRITTEN PERMISSION																														

MODULE EDGE CARD CONTACT DETAIL



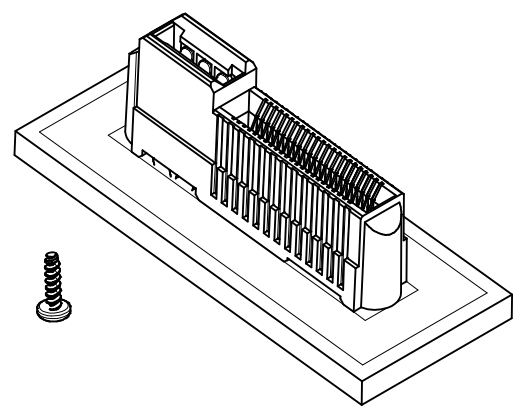
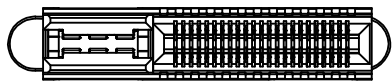
MATING PCB NOTES:

- CONNECTOR LAND CONDITIONS SHALL MEET THE MOST CURRENT REVISION OF PCB SPECIFICATION IPC-6012C-2010 SECTION 3.5.4.4.
- DIMENSIONS APPLY TO LANDS ON BOTH SIDES OF THE BOARD.
- THE THICKNESS OF THE OUTER METAL LAYERS, INCLUDING FOIL, COPPER PLATING, AND THE PROTECTIVE SURFACE FINISH, SHALL BE 0.066mm MAXIMUM.
- CHAMFER ROUGHNESS NOT TO EXCEED 3.17 MICROMETERS.
- CHAMFER PROCESS SHALL NOT DAMAGE THE GOLD EDGE LANDS.
- EDGE CARD CHAMFER NOT TO GO THROUGH GOLD LANDS.
- 0.03mm MAXIMUM PLATING OVERHANG ON ALL GOLD LAND EDGES.
- MOLEX RECOMMENDS NO TIE-BARS ON THE LEADING EDGE OF THE GOLD LAND. IF TIE-BARS ARE USED, THEY SHALL BE PLACED TO ONE SIDE OF THE GOLD LAND. APPLIES TO ALL GOLD LANDS.

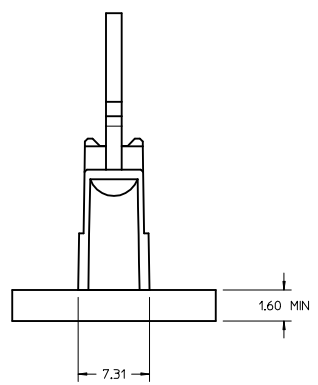
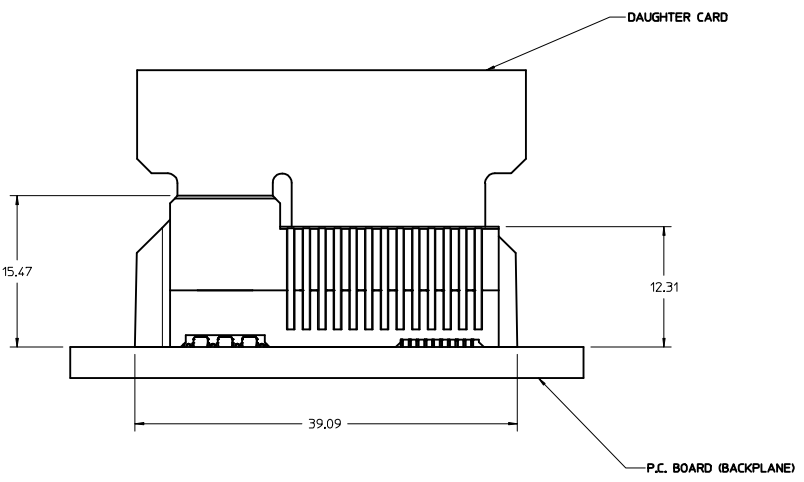
SEE SHEET 1 IEC NO: UICP2017-1945 DRAWN BY: CHYKDMORGAN CHECKED BY: APPR:KLANG DATE: 2017/03/09 DATE: 2017/03/15	QUALITY SYMBOLS ∇=0 ∇=0 ∇=0	GENERAL TOLERANCES (UNLESS SPECIFIED)		DIMENSION STYLE MM ONLY		SCALE 10:1	DESIGN UNITS METRIC	THIRD ANGLE PROJECTION
		4 PLACES ±0.13 mm 3 PLACES ±0.25 mm 2 PLACES ±0.25 mm 1 PLACE ±0.25 mm 0 PLACE ±0.25 mm	4 PLACES ±0.005 INCH 3 PLACES ±0.010 INCH 2 PLACES ±0.010 INCH 1 PLACE ±0.010 INCH 0 PLACE ±0.010 INCH	DRAWN BY: MPOFF CHECKED BY: DMORGAN APPROVED BY: SMILLER DATE: 2014/05/23 DATE: 2014/05/23 DATE: 2014/07/23	TITLE EDGELINE ESP30 12.5GB 0.093"PCB/0.8MM PITCH 54 CKTS molex		MATERIAL NO: SEE SHEET 1	DOCUMENT NO: SD-170545-1054

THIS DRAWING CONTAINS INFORMATION THAT IS PROPRIETARY TO MOLEX INCORPORATED AND SHOULD NOT BE USED WITHOUT WRITTEN PERMISSION

P.C. BOARD MOUNTING

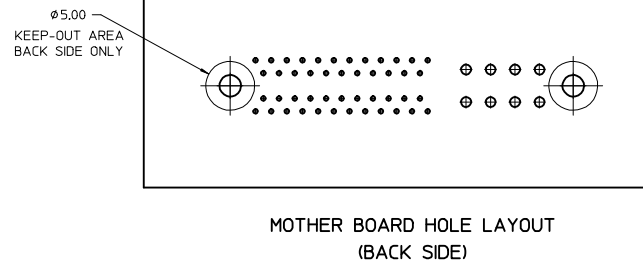
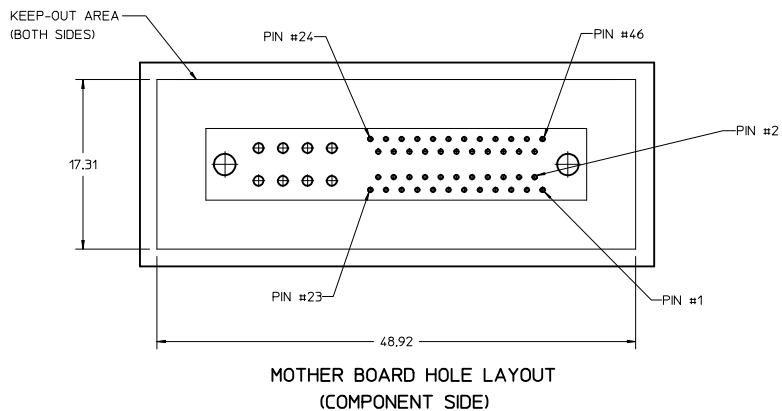
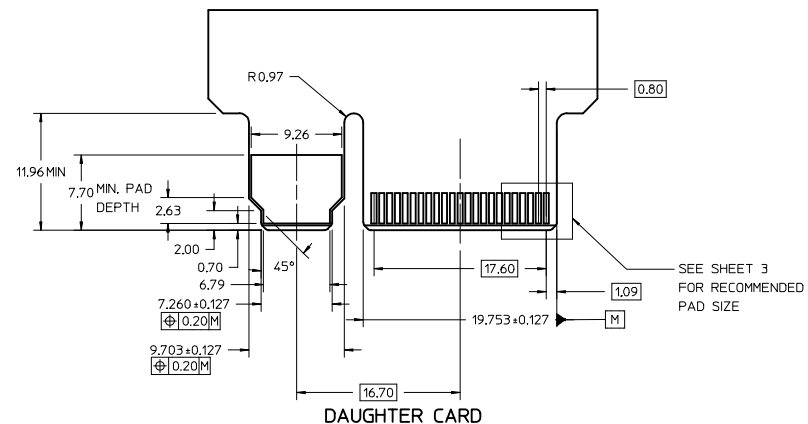
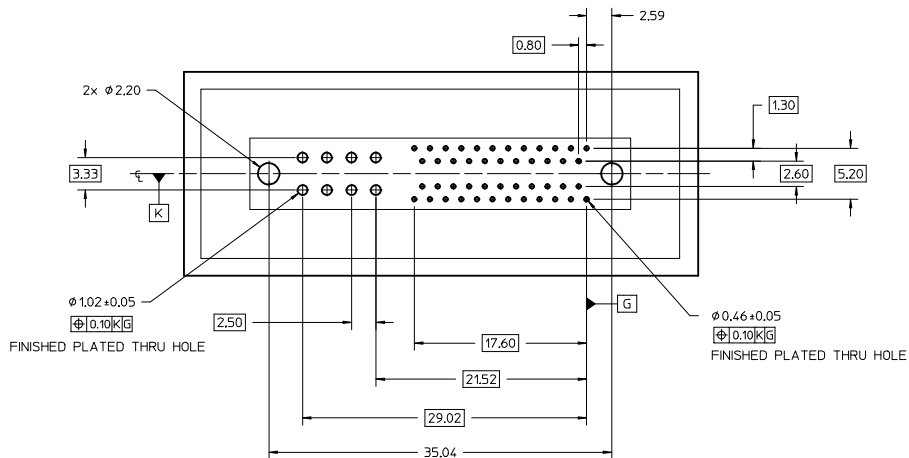


RECOMMENDED THREAD-FORMING SCREW
M1,8x8 (NOT SUPPLIED BY MOLEX)
SEE NOTE 8



- NOTES:
1. MATERIAL:
HOUSING - GLASS FILLED THERMOPLASTIC, 94-V0, BLACK
TERMINALS - COPPER ALLOY
 2. FINISH:
CONTACT AREA: HARD GOLD -0.76µm MIN OVER 3.80µ NICKEL
COMPLIANT AREA: TIN - 0.76/152µm OVER NICKEL
 3. REFER TO PS-76861-100 PRODUCT SPECIFICATION FOR ALL ELECTRICAL, MECHANICAL AND ENVIRONMENTAL SPECIFICATIONS.
 4. REFER TO PK-76861-900 FOR ALL PACKAGING SPECIFICATIONS.
 5. PROCESSING: PRESSFIT TO PC BOARD.
 6. MATING PC BOARD THICKNESS = 1.60±0.16MM OVER CONTACT PADS.
 7. THIS PART CONFORMS TO CLASS B REQUIREMENTS OF COSMETIC SPEC PS-45499-002.
 8. REFER TO APPLICATION SPECIFICATION AS-76693-100 FOR MORE DETAILS

DAUGHTER CARD ECN: 1007-1680 2017/02/17 DRW:HPDFF CHK:DMORGAN APPR:KLANG 2017/02/27	QUALITY SYMBOLS	GENERAL TOLERANCES (UNLESS SPECIFIED)	DIMENSION STYLE	SCALE	DESIGN UNITS	THIRD ANGLE PROJECTION	
	▽=0	4 PLACES ± 0.13 ± 0.05	MM ONLY	4:1	METRIC		
	▽=0	3 PLACES ± 0.13 ± 0.05					
	▽=0	2 PLACES ± 0.25 ± 0.10					
		ANGULAR ± 2 °	DRAWN BY	DATE	TITLE		
		DRAFT WHERE APPLICABLE MUST REMAIN WITHIN DIMENSIONS	DROSCA	12/02/2008	EDGELINE+LPH 12.5GB 0.062"PCB/0.8MM PITCH 46 CKTS		
			CHECKED BY	DATE			
			JCOMERC I	12/02/2008			
			APPROVED BY	DATE			
			JCOMERC I	2009/08/04			
			MATERIAL NO.	DOCUMENT NO.			
			76861-1000	SD-76861-100			
			SIZE			SHEET NO.	
			D			1 OF 3	
			THIS DRAWING CONTAINS INFORMATION THAT IS PROPRIETARY TO MOLEX INCORPORATED AND SHOULD NOT BE USED WITHOUT WRITTEN PERMISSION				



SEE SHEET 1 EC NO: UCP2017-1680 DRAWN BY: CHYKOSMORGAN CHECKED BY: APPR:KLANG DATE: 2017/02/17 DATE: 2017/02/27 DESCRIPTION:	QUALITY SYMBOLS	GENERAL TOLERANCES (UNLESS SPECIFIED)	DIMENSION STYLE	SCALE	DESIGN UNITS	THIRD ANGLE PROJECTION	
	$\nabla=0$	4 PLACES ± mm ± INCH	MM ONLY	4:1	METRIC		
	$\nabla=0$	3 PLACES ± mm ± INCH					
	$\nabla=0$	2 PLACES ± 0.13 ± INCH					
	1 PLACE ± 0.25 ± INCH						
	0 PLACE ± INCH						
	ANGULAR ± 2°						
	DRAFT WHERE APPLICABLE MUST REMAIN WITHIN DIMENSIONS						
			DRAWN BY: DROSCA	DATE: 12/02/2008	TITLE: EDGELINE+LPH 12.5GB		
			CHECKED BY: JCOMERC I	DATE: 12/02/2008	0.062"PCB/0.8MM PITCH		
			APPROVED BY: JCOMERC I	DATE: 2009/08/04	46 CKTS		
			MATERIAL NO.	DOCUMENT NO.	molex		
			SEE SHEET 1	SD-76861-100	SHEET NO. 2 OF 3		
			THIS DRAWING CONTAINS INFORMATION THAT IS PROPRIETARY TO MOLEX INCORPORATED AND SHOULD NOT BE USED WITHOUT WRITTEN PERMISSION				

