

WIRING DIAGRAM : 3 CORE CABLE

▽2	▽3	▽4	
MOLEX I/O CONNECTOR	2 CORE CABLE	MOLEX I/O CONNECTOR	
CIRCUIT No.	CONDUCTOR No.	CIRCUIT No.	CONDUCTOR COLOUR REF
1 →	1 →	→ 2	RED
2 →	BRAID	→ 3	
3 →	2 →	→ 4	YELLOW

▽3 CABLE SPECIFICATION : 2 CORE CABLE

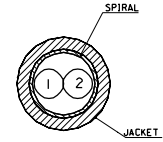
1. CABLE TYPE: FLAT  RIBBON  ROUND  OTHER   
 SPIRAL CABLE YES  NO   
 NO. OF CONDUCTORS  2

2. CABLE REQUIREMENTS : N/A

3. CONDUCTOR SPECIFICATIONS :

	CONDUCTOR NO.
	1, 2
CONDUCTOR :	
- MATERIAL	TINNED CU
- A.W.G.	28
- STRANDING QTY/GUAGE	7/36
- TENSILE STRENGTH	N/A
INSULATION :	
- MATERIAL	SEMI RIGID PVC
- MIN. WALL THICKNESS	0.20
- COLOUR	SEE CABLE DIAGRAM
- OUTSIDE DIAMETER	0.90 ± 0.05
DIRECTION OF LAY	LEFT HAND
LENGTH OF LAY	30 ± 5.0
U.L. RATING	UL - 1692

COLOURS:  
1. RED  
2. YELLOW



SCALE 10:1

4. FILLER : N/A

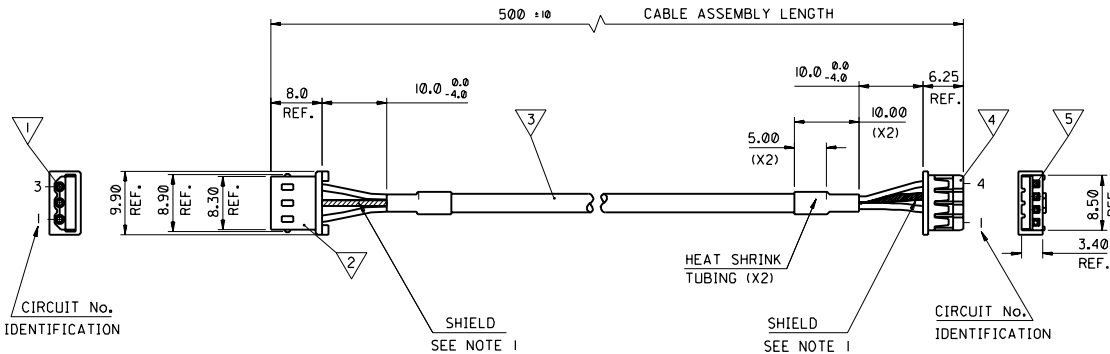
5. SEPARATOR : N/A

6. SHIELD : FOIL TYPE N/A  
FOIL FACING N/A

7. DRAIN WIRE : GAUGE N/A  
STRANDING N/A  
REQUIREMENT N/A

8. SPIRAL/BRAID : GAUGE 36  
COPPER TYPE TINNED  
COVERAGE 90% MINIMUM

9. CABLE JACKET : TYPE PVC  
FINAL DIAMETER 2.7 ± 0.15  
MIN. THICKNESS 0.30  
COLOUR GREY  
FINISH GLOSS  
U.L. RATING UL 20276  
HARDNESS 61 ± 3 SHORE A  
STRIPABILITY GOOD  
MARKINGS E41663-1 RU ANM STYLE 2590 28 AWG 80°C VW-1-SC



BILL OF MATERIALS

NO.	QTY	SUPPLIER	DESCRIPTION	PART No.	SEE NOTE
▽1	3	MOLEX	SPRING-BOX CRIMP TERMINAL	5263PBT	
▽2	1	MOLEX	3 CCT SHROUDED CRIMP TERMINAL HOUSING	5264-03	
▽3	1	MOLEX	2 CORE CABLE SEE CABLE SPECIFICATION	99036-0095	1, 3
▽4	1	MOLEX	4 CIRCUIT CONNECTOR	87369-0400	
▽5	3	MOLEX	CRIMP TERMINAL	50212-8000	

NOTES:

1. BRAIDED SHIELD TO BE TWISTED AND COVERED WITH HEAT SHRINK INSULATION TUBING BEFORE CRIMPING.
2. PARTS TO BE CHECKED FOR SHORTS AND CONTINUITIES.
3. ONLY AVAILABLE FROM MOLEX AS PART OF A CABLE ASSEMBLY.
4. SUPPLIER OR CUSTOMER APPROVED EQUIVALENT.
5. PARTS PACKED LOOSELY IN BAGS.

FOR PREVIOUS DRAWING ISSUES SEE MRI.

CHANGE CONNECTOR No. 5 EEN EB024 97-08-95 DR	DR	DRWG BY	DR
REVISIONS		DRWG BY	
DESIGN DIMENSION (PRIMARY) <input type="checkbox"/> IN.		APPRD BY	
EQUIVALENT DIMENSION (SECONDARY) <input type="checkbox"/> MM		SCALE	2:1

REVISE ONLY ON CAD SYSTEM		SHL	REV.
CAD/CAM FILENAME S006026 DCN	THIS DRAWING CONTAINS INFORMATION THAT IS PROPRIETARY TO MOLEX INC. & SHOULD NOT BE USED WITHOUT WRITTEN PERMISSION		
AUDIO CABLE ASSEMBLY			
MOLEX EUROPE		SHEET NO. DATE	
PART NO. 92609-0002		IOF 1	96/04/11
DWG NO. SDA-92609-0002		SIZE	C

PART NO. 92609-0002  
DWG NO. SDA-92609-0002