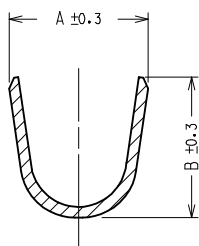
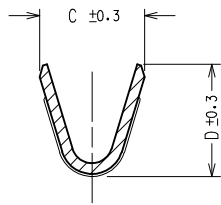


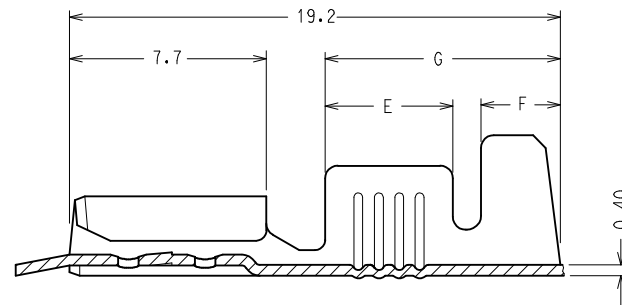
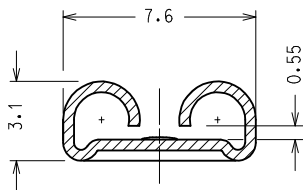
SEZIONE C - C



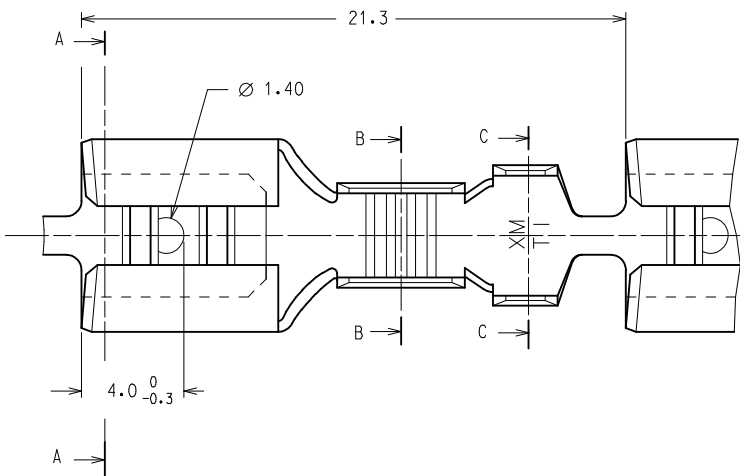
SEZIONE B - B



SEZIONE A - A



CODICE P/N	FINITURA PLATING	MATERIALE MATERIAL	SEZ. RAME WIRE RANGE (mm ²)	φ ISOLANTE INS. RANGE (mm)	DIMENSIONI / DIMENSION (mm)								PZ/BOBINA PCS/REEL	S.P.Q.
					A	B	C	D	E	F	G			
94512-0000	GREGGIO/ UNPLATED	OTTONE/ BRASS	0.2 ↔ 0.5	1.2 ↔ 2.1	3.0	2.9	2.3	2.3	3.1	1.8	6.3	7.000	21.000	
94512-0001	STAGNATO/ TIN	OTTONE/ BRASS												
94512-0100	GREGGIO/ UNPLATED	OTTONE/ BRASS												
94512-0101	STAGNATO/ TIN	OTTONE/ BRASS												
94512-0111	NICHELATO/ NICKEL	ACCIAIO/ STEEL	0.5 ↔ 1.0	2.0 ↔ 3.3	4.5	4.5	3.0	3.0	4.2	2.4	8.2	7.000	21.000	
94512-0130	GREGGIO/ UNPLATED	ALPACCA/ PACKFONG												
94512-0200	GREGGIO/ UNPLATED	OTTONE/ BRASS												
94512-0201	STAGNATO/ TIN	OTTONE/ BRASS												
94512-0211	NICHELATO/ NICKEL	ACCIAIO/ STEEL	1.0 ↔ 2.5	2.7 ↔ 4.3	5.5	5.5	4.1	4.3	5.0	3.1	9.1	6.000	18.000	
94512-0230	GREGGIO/ UNPLATED	ALPACCA/ PACKFONG												
94512-0301	STAGNATO/ TIN	OTTONE/ BRASS												
94512-0311	NICHELATO/ NICKEL	ACCIAIO/ STEEL	2.5 ↔ 6.0	3.8 ↔ 5.1	6.0	6.4	5.4	5.6	5.0	3.1	9.1	5.000	15.000	



Confezione Standard: 3 Bobine x Scatola

Caratteristiche di Prodotto secondo PS 94512-002

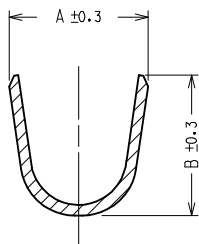
Packaging: 3 Reels x Box

Product Characteristics according to PS 94512-002

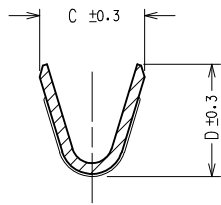
Std. Descr.: HRT FEM TERM [material] [plating] [wire range]

Updated note EC NO: Z2015-0006 TDRWNL: SANTIÉS 2014/07/18 CHKD: L.SANTIÉS 2014/07/18 APPR: PZANGIROLAMI 2014/07/18	QUALITY SYMBOLS FA=0 FG=0 FP=0	GENERAL TOLERANCES (UNLESS SPECIFIED)		DIMENSION STYLE MM ONLY		SCALE 0.2	DESIGN UNITS METRIC	FIRST ANGLE PROJECTION	
		mm	INCH	DRAWN BY	DATE	TITLE			
		4 PLACES ± ---	± ---	F. GOTTARDO	1989-12-01	HIGH RELIABILITY FEMALE TERMINAL 6.3 X 0.8			
		3 PLACES ± ---	± ---	CHECKED BY	DATE	molex			
DRAFT WHERE APPLICABLE MUST REMAIN WITHIN DIMENSIONS		ANGULAR ± 2 °		APPROVED BY R. MARTUCCI 1989-12-01		DOCUMENT NO. SD-94512-004		SHEET NO. 1 OF 1	
SIZE A3 THIS DRAWING CONTAINS INFORMATION THAT IS PROPRIETARY TO MOLEX INCORPORATED AND SHOULD NOT BE USED WITHOUT WRITTEN PERMISSION									

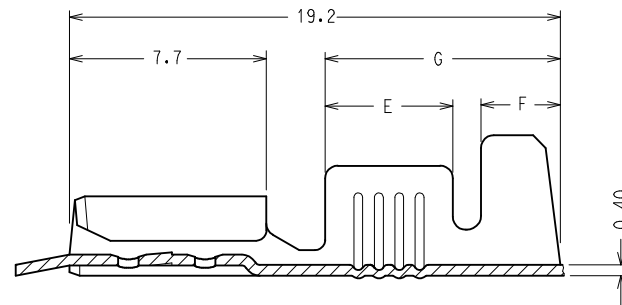
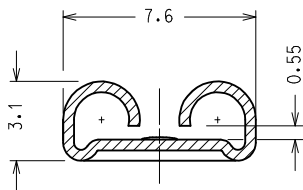
SEZIONE C - C



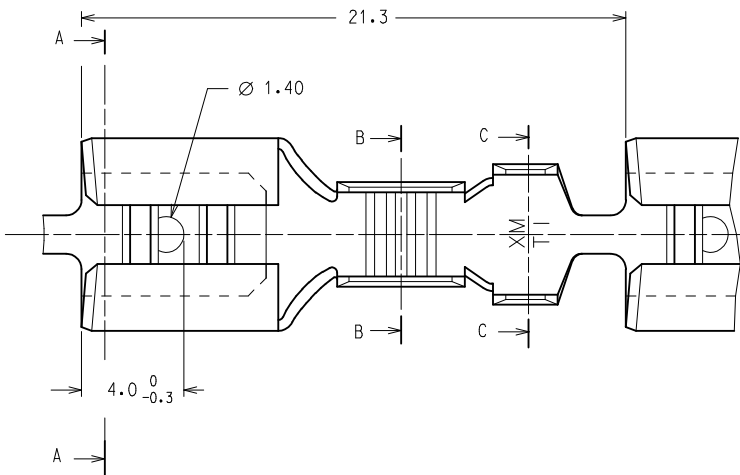
SEZIONE B - B



SEZIONE A - A



CODICE P/N	FINITURA PLATING	MATERIALE MATERIAL	SEZ. RANGE WIRE RANGE (mm ²)	φ ISOLANTE INS. RANGE (mm)	DIMENSIONI / DIMENSION (mm)								PZ/BOBINA PCS/REEL	S.P.Q.
					A	B	C	D	E	F	G			
94512-0000	GREGGIO/ UNPLATED	OTTONE/ BRASS	0.2 ↔ 0.5	1.2 ↔ 2.1	3.0	2.9	2.3	2.3	3.1	1.8	6.3	7.000	21.000	
94512-0001	STAGNATO/ TIN	OTTONE/ BRASS												
94512-0100	GREGGIO/ UNPLATED	OTTONE/ BRASS												
94512-0101	STAGNATO/ TIN	OTTONE/ BRASS												
94512-0111	NICHELATO/ NICKEL	ACCIAIO/ STEEL	0.5 ↔ 1.0	2.0 ↔ 3.3	4.5	4.5	3.0	3.0	4.2	2.4	8.2	7.000	21.000	
94512-0130	GREGGIO/ UNPLATED	ALPACCA/ PACKFONG												
94512-0200	GREGGIO/ UNPLATED	OTTONE/ BRASS												
94512-0201	STAGNATO/ TIN	OTTONE/ BRASS												
94512-0211	NICHELATO/ NICKEL	ACCIAIO/ STEEL	1.0 ↔ 2.5	2.7 ↔ 4.3	5.5	5.5	4.1	4.3	5.0	3.1	9.1	6.000	18.000	
94512-0230	GREGGIO/ UNPLATED	ALPACCA/ PACKFONG												
94512-0301	STAGNATO/ TIN	OTTONE/ BRASS												
94512-0311	NICHELATO/ NICKEL	ACCIAIO/ STEEL	2.5 ↔ 6.0	3.8 ↔ 5.1	6.0	6.4	5.4	5.6	5.0	3.1	9.1	5.000	15.000	



Confezione Standard: 3 Bobine x Scatola

Caratteristiche di Prodotto secondo PS 94512-002

Packaging: 3 Reels x Box

Product Characteristics according to PS 94512-002

Std. Descr.: HRT FEM TERM [material] [plating] [wire range]

Updated note EC NO: Z2015-0006 TDRWNL: SANTIÉS 2014/07/18 CHKD: L.SANTIÉS 2014/07/18 APPR: PZANGIROLAMI 2014/07/18	QUALITY SYMBOLS FA=0 FG=0 FP=0	GENERAL TOLERANCES (UNLESS SPECIFIED)		DIMENSION STYLE MM ONLY		SCALE 0.2	DESIGN UNITS METRIC	FIRST ANGLE PROJECTION	
		mm	INCH	DRAWN BY	DATE	TITLE			
		4 PLACES ± ---	± ---	F. GOTTARDO	1989-12-01	HIGH RELIABILITY FEMALE TERMINAL 6.3 X 0.8			
		3 PLACES ± ---	± ---	CHECKED BY	DATE	molex			
2 PLACES ± 0.1	± ---	M. PREVIATO	1989-12-01	DOCUMENT NO. SD-94512-004			SHEET NO. 1 OF 1		
1 PLACE ± 0.2	± ---	APPROVED BY	DATE	See chart					
0 PLACE ±	±	R. MARTUCCI	1989-12-01	MATERIAL NO.					
ANGULAR ± 2 °		DRAFT WHERE APPLICABLE MUST REMAIN WITHIN DIMENSIONS			THIS DRAWING CONTAINS INFORMATION THAT IS PROPRIETARY TO MOLEX INCORPORATED AND SHOULD NOT BE USED WITHOUT WRITTEN PERMISSION				