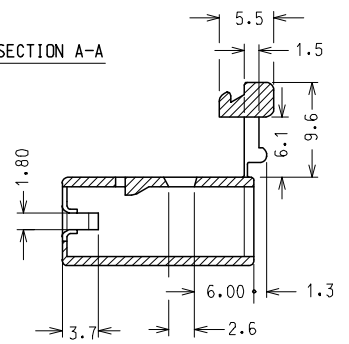
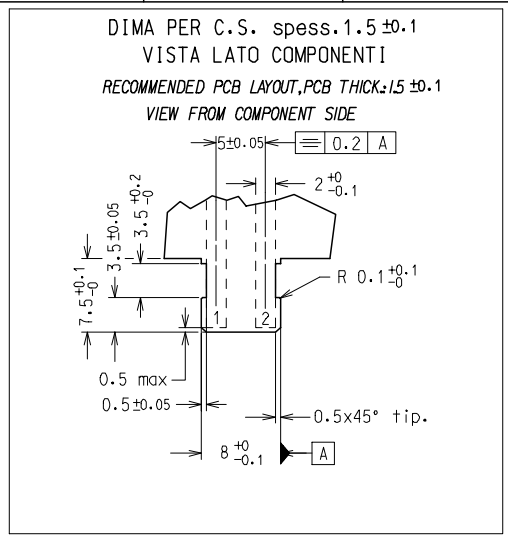
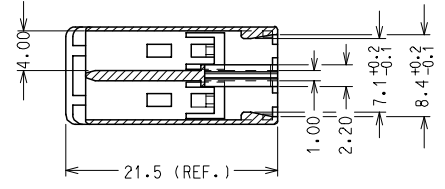
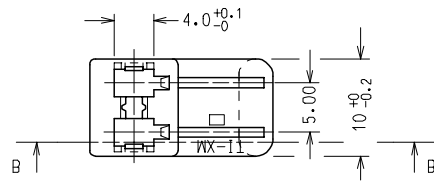
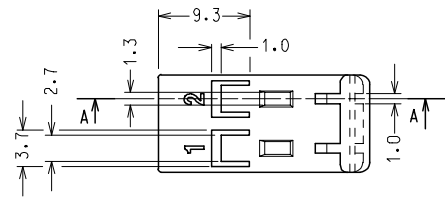
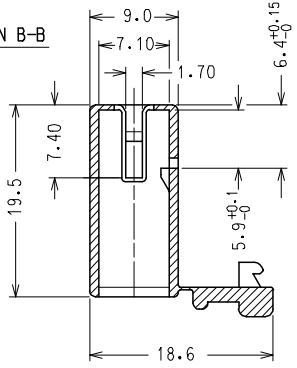


10 9 8 7 6 5 4 3 2 1

SECTION A-A



SECTION B-B



CODICE	P/N	MATERIALE
94529-9102		PA 66 NAT. UL94 V2 GWT 850 °C
94529-7102		PA 66 NAT. UL94 V0
94529-4102		NYLON 6.6 GWT 750 °C sec. IEC 60335-1 TEST METHOD IEC 60695-2-11 NATURAL

NOTA: LE DIMENSIONI VANNO MISURATE CON CORPI STABILIZZATI SECONDO NG 2301. (AUMENTO IN PESO DEL 2.7 %)

NOTE: PARTS SHALL BE DIMENSIONALLY CHECKED AFTER ATTAINING EQUILIBRIUM CONDITIONS E.G. 27 % INCREASE IN WEIGHT FOR HUMIDITY ABSORPTION FROM DRY STATUS.

CARATTERISTICHE PRODOTTO SECONDO PS-94529
 PRODUCT CHARACTERISTICS ACCORDING TO PS-94529 E

CONFEZIONE: 4500 pz. in scatola
 PACKAGING: 4500 pcs. in carton box

SPQ: 4500 pz.

Descr. Std: HSG FOR FORK TERMINAL 2 CKT

EC NO: Z2006-0051 DRWN: FGOTTARD 2005/10/12 CHKD: RSANDAN 2005/10/12 APPR: GZUIN 2005/10/14	QUALITY SYMBOLS ▽ - 0 ▽ - 0	GENERAL TOLERANCES (UNLESS SPECIFIED)		SCALE 2:1	DESIGN UNITS METRIC	FIRST ANGLE PROJECTION REVISE ON CAD ONLY	TITLE 2 CKT HOUSING FOR STRAIGHT FORK TERMINAL
		4 PLACES ± ---	± ---	DIMENSION STYLE MM ONLY			
		3 PLACES ± ---	± ---	DRAWN BY FGOTTARD	DATE 2000/01/24		
		2 PLACES ± 0.10	± ---	CHECKED BY MTESTAGU	DATE 2000/01/24		
1 PLACE ± 0.2	± ---	APPROVED BY RMARTUCC	DATE 2000/01/24			MOLEX INCORPORATED MATERIAL NO. SEE TABLE DOCUMENT NO. SD-94529-004 SHEET NO. 1 OF 1	
ANGULAR ± 2 °		DRAFT WHERE APPLICABLE MUST REMAIN WITHIN DIMENSIONS		THIS DRAWING CONTAINS INFORMATION THAT IS PROPRIETARY TO MOLEX INCORPORATED AND SHOULD NOT BE USED WITHOUT WRITTEN PERMISSION			