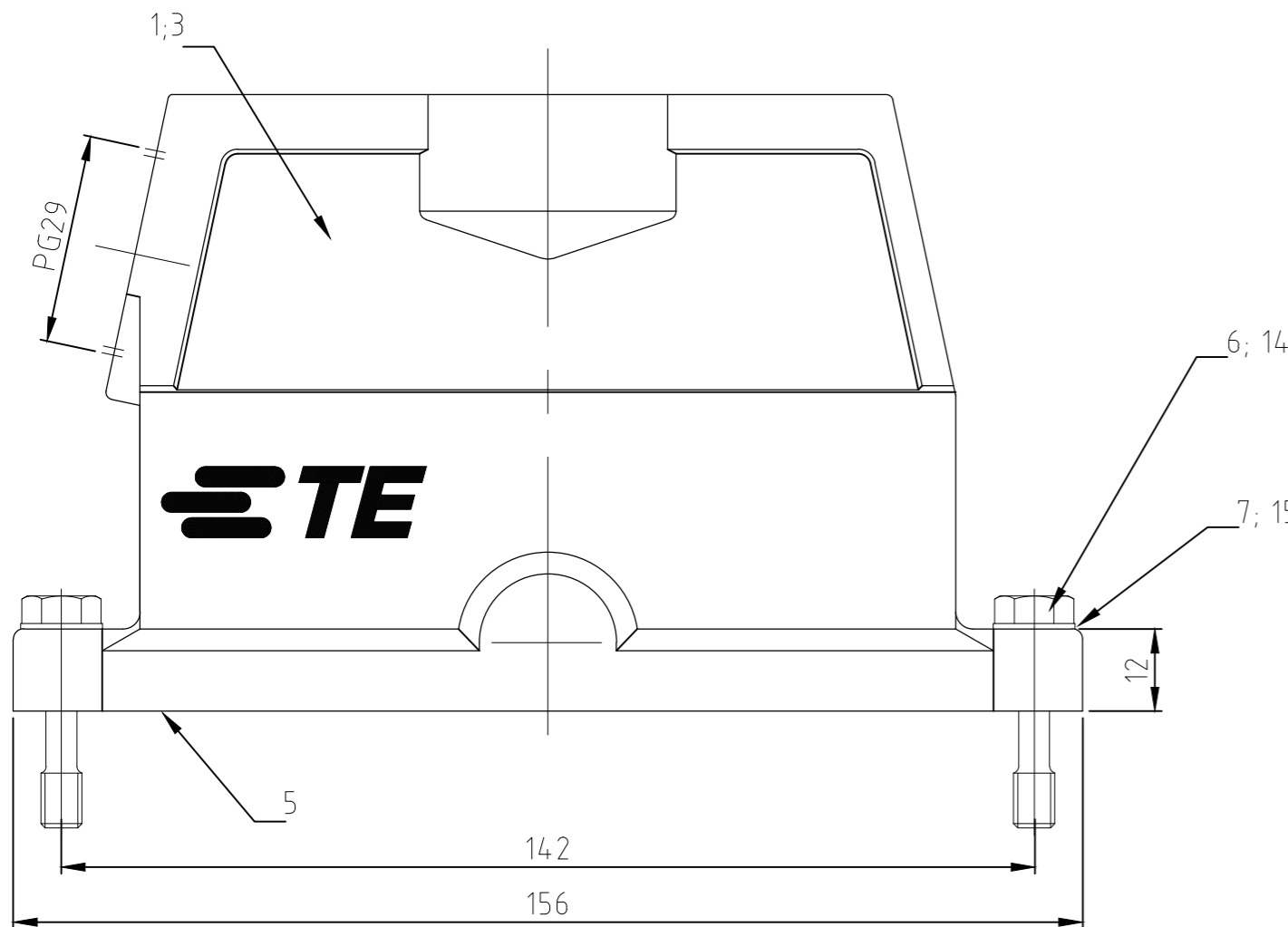
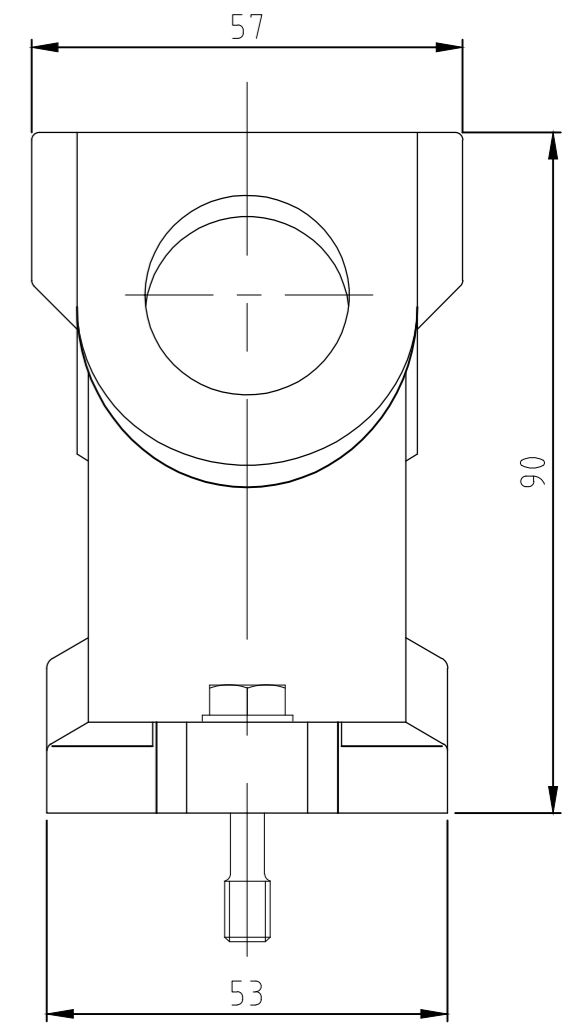
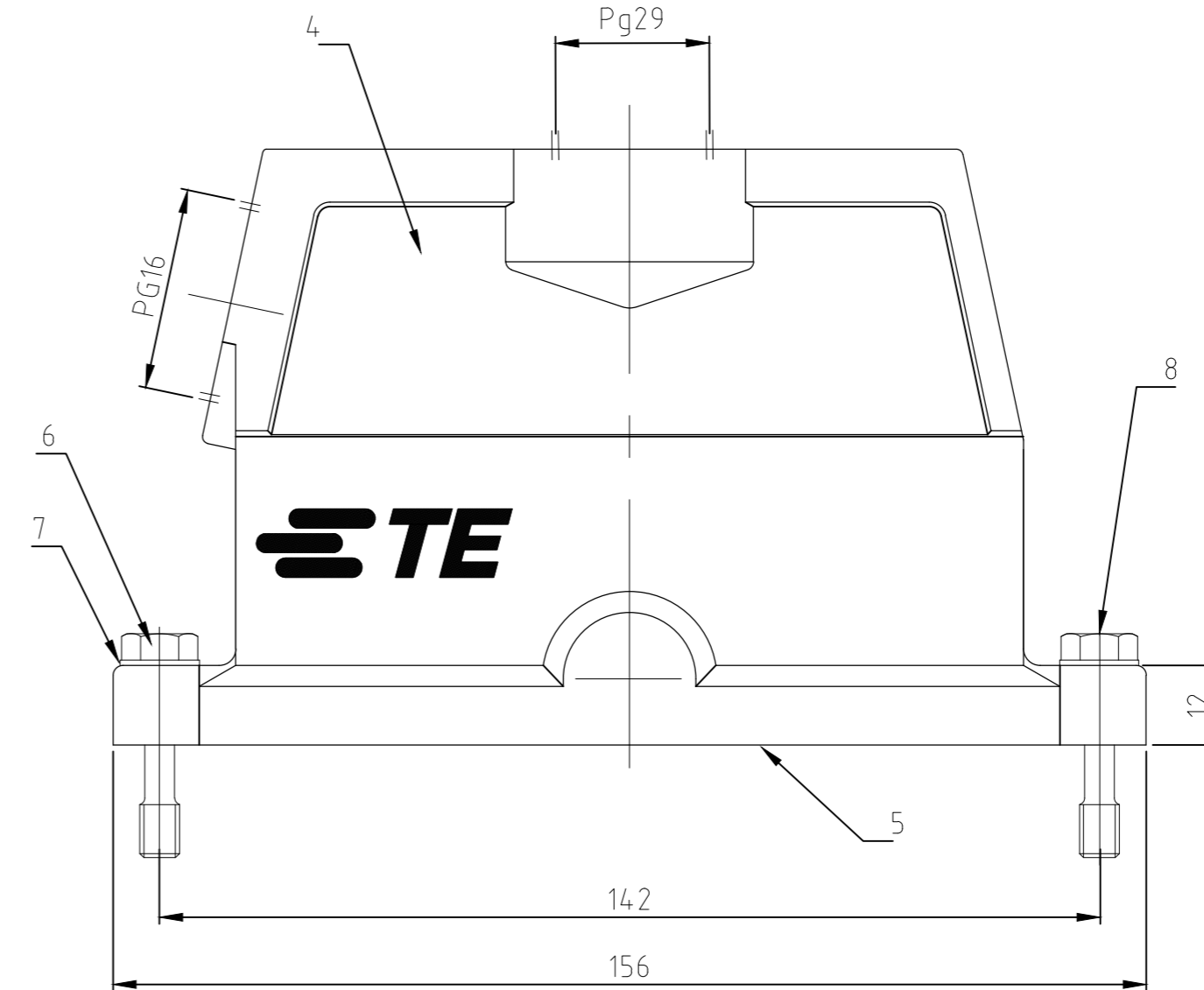
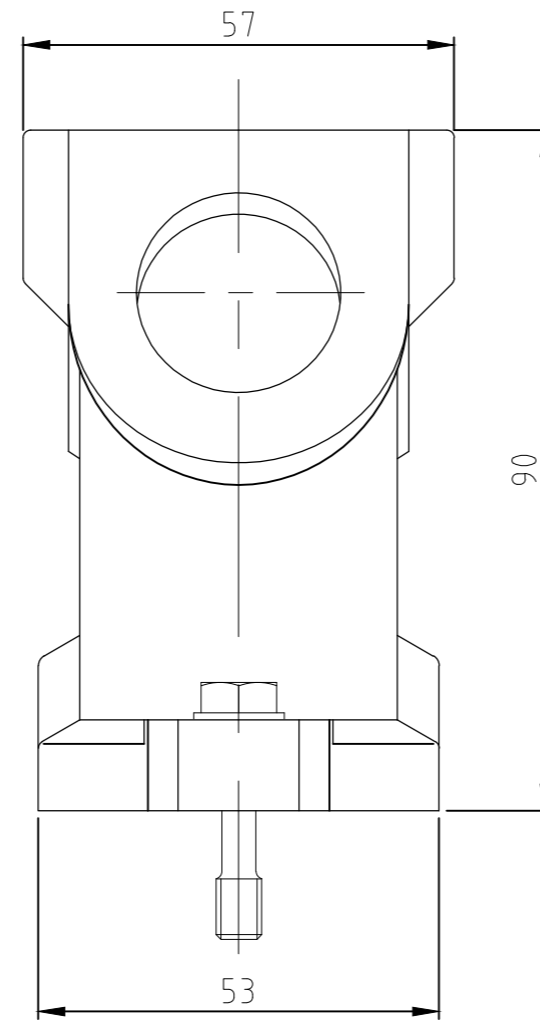
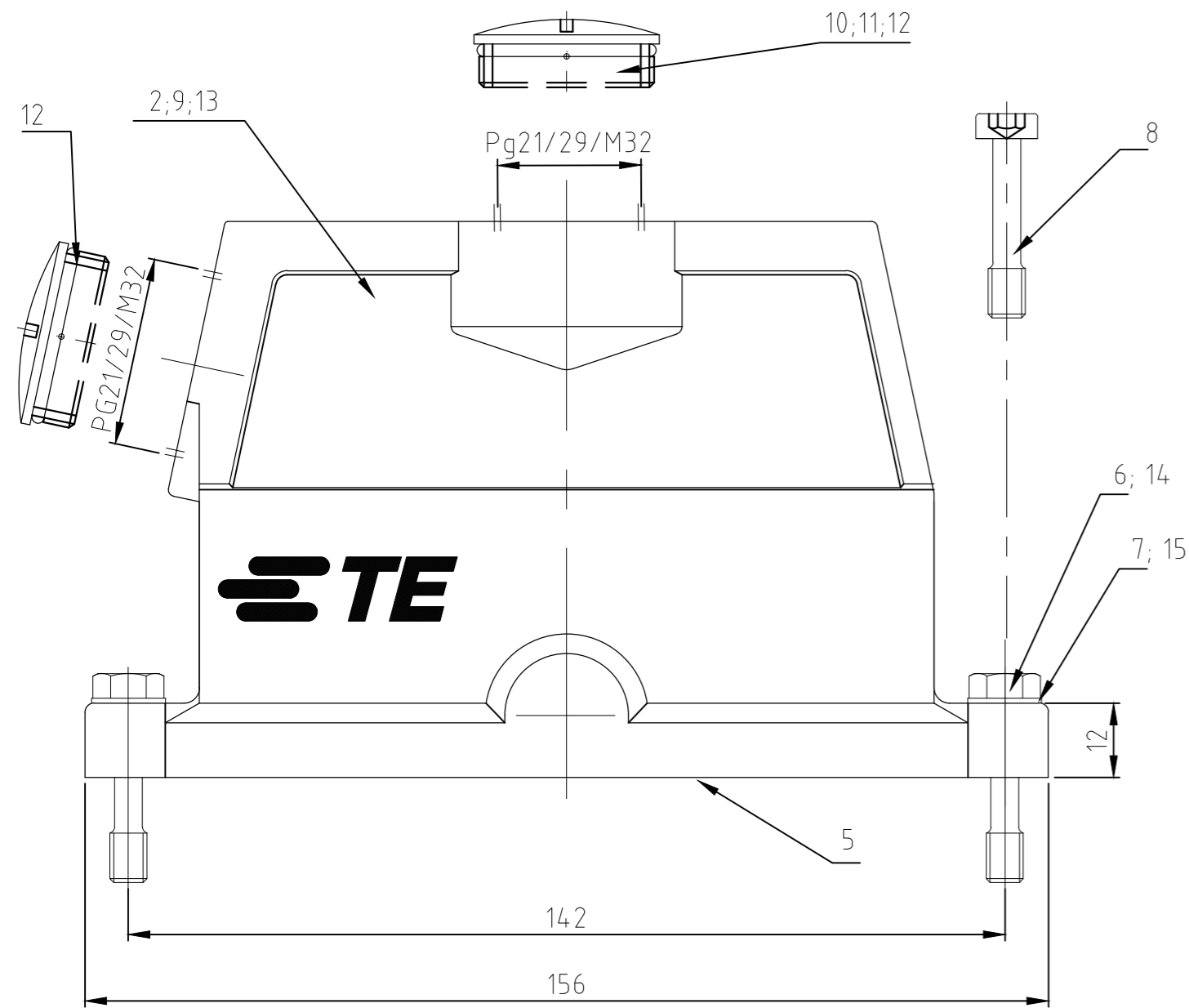


REVISIONS ÄNDERUNGEN DESCRIPTION BESCHREIBUNG					
P	LTR	DATE	DWN	APVD	
C	ECR-20-009602	09JUL2020	SB	JB	



QTY	DESCRIPTION / BENENNUNG	MATERIAL	SURFACE/OBERFLÄCHE	COLOR/FARBE	ITEM NO.	REMARKS / BEMERKUNGEN
2	Scheibe/Pane	V4A/stainl. steel	blank/blank		15	
2	Allen screw	V4A/stainl. steel	blank/blank		14	M6x30
1	Steckergehäuse EMV/hood	Aluminium/Alu		unvarnished	13	spot face 1.5mm
	Blindstopfen Pg29/blanking piece	Plastic	natur		12	(PN 0-4 und 0-7 als STS) / (PN 0-5 als ST0+STS)
	O-Ring Pg29	Neoprene		black/schwarz	11	
	Blindstopfen Pg29/blanking piece	MS/brass	vernickelt/nickel plated	blau/blue	10	for ST0
	Plug housing EMV/hood	Aluminium/Alu		white aluminum	9	ST0.129+STS.129
	Allen screw	V2A/stainl. steel	blank/blank		8	
	Scheibe/Pane	V2A/stainl. steel	blank/blank		7	
	Allen screw	V2A/stainl. steel	blank/blank		6	M6x30
	Dichtung/seal	Neoprene		black/schwarz	5	conductive
	Plug housing EMV/hood	Aluminium/Alu		grey/grau	4	
	Plug housing EMV/hood	Aluminium/Alu	SEE NOTE \triangle	black/schwarz	3	
	Plug housing EMV/hood	Aluminium/Alu		grey/grau	2	
	Plug housing EMV/hood	Aluminium/Alu		grey/grau	1	

QTY	DESCRIPTION / BENENNUNG	MATERIAL	SURFACE/OBERFLÄCHE	COLOR/FARBE	ITEM NO.	REMARKS / BEMERKUNGEN
1-8	EMV-24-64-ST0.1M4-0-G					
1-7	EMV-24-64-ST0.1M4-0-G					
1-5	EMV-24-64-ST0.1M32-G					
1-4	EMV-24-64-ST0.1M32-G					
1-3	EMV-24-64-ST0.1M32-G					
1-2	EMV-24-64-ST0.1M32-G					
1-1	EMV-24-64-ST0.121G-ST5-121G					
1-0	EMV-24-64-ST0.129-G-ST5-129-G					
0-9	EMV-K-24-76-ST0.129-G					
0-8	EMV-K-24-76-ST5-129-G					
0-7	EMV-K-24-76-ST0.129-G-ST5-129-G					
0-6	EMV-24-76-ST0.129-G-ST5-129-G					
0-5	EMV-24-76-ST0.129-G-ST5-129-G					
0-4	EMV-24-76-ST0.129-G-ST5-129-G					
0-3	EMV-24-76-ST0.129-G-ST5-129-G					
0-2	EMV-24-76-ST0.129-G-ST5-129-G					
4-5	EMV-K-24-76-ST5-129-G					
5-0	EMV-24-76-ST5-129-G					
0-1	EMV-24-76-ST5-129-G-ST0-129-G					

QTY	DESCRIPTION / BENENNUNG	MATERIAL	SURFACE/OBERFLÄCHE	COLOR/FARBE	ITEM NO.	REMARKS / BEMERKUNGEN
1	Dichtung/seal	Neoprene		black/schwarz	5	conductive
1	Plug housing EMV/hood	Aluminium/Alu		grey/grau	4	
1	Plug housing EMV/hood	Aluminium/Alu	SEE NOTE \triangle	black/schwarz	3	
1	Plug housing EMV/hood	Aluminium/Alu		grey/grau	2	
1	Plug housing EMV/hood	Aluminium/Alu		grey/grau	1	

QTY	DESCRIPTION / BENENNUNG	MATERIAL	SURFACE/OBERFLÄCHE	COLOR/FARBE	ITEM NO.	REMARKS / BEMERKUNGEN
2	Scheibe/Pane	V2A/stainl. steel	blank/blank		7	
2	Allen screw	V2A/stainl. steel	blank/blank		6	M6x30

QTY	DESCRIPTION / BENENNUNG	MATERIAL	SURFACE/OBERFLÄCHE	COLOR/FARBE	ITEM NO.	REMARKS / BEMERKUNGEN
1	Dichtung/seal	Neoprene		black/schwarz	5	conductive
1	Plug housing EMV/hood	Aluminium/Alu		grey/grau	4	
1	Plug housing EMV/hood	Aluminium/Alu	SEE NOTE \triangle	black/schwarz	3	
1	Plug housing EMV/hood	Aluminium/Alu		grey/grau	2	
1	Plug housing EMV/hood	Aluminium/Alu		grey/grau	1	

- Notes:
- \triangle Surface: Varnish grey
Varnish black
chromiAL TCP passivation
 - \triangle Varnish on the inside not necessarily
 - \triangle Packaging quantity 5 pieces

- Bemerkungen:
- \triangle Surface: Lackierung grau
Lackierung grau
chromiAL TCP passivation
 - \triangle Lackierung im Gehäuseinnere ist nicht notwendig
 - \triangle Verpackungsmenge 5 Stück

THIS DRAWING IS A CONTROLLED DOCUMENT.
DIESE ZEICHNUNG IST EIN KONTROLLIERTES DOKUMENT.

DIMENSIONS:
MASSENHETEN
mm

TOLERANCES, UNLESS OTHERWISE SPECIFIED:
ALLGEMEINTOLERANZEN:

0 PLC ± 0.150 2748 - 04 - E
1 PLC ± 0.150 2748 - 04 - E
2 PLC ± 0.150 2748 - 04 - E
3 PLC ± 0.150 2748 - 04 - E
4 PLC ± 0.150 2748 - 04 - E

FINISH / OBERFLÄCHE / FARBE

DWN	19.02.1999		TE Connectivity
CHK	19.02.1999		
APVD	-	NAME	
PRODUCT SPEC VERÄBERITUNGSSPEZ.		Hood EMV size8 Plug housing EMV Bg8	
SIZE	A2	CAGE CODE	00779
DRAWING NO.	ZEICHNUNGS-NR.		C=1102755
CUSTOMER DRAWING / KUNDENZEICHNUNG		SCALE	MASSTAB 1:1
SHEET		BLATT	1 OF 1
REV		C	