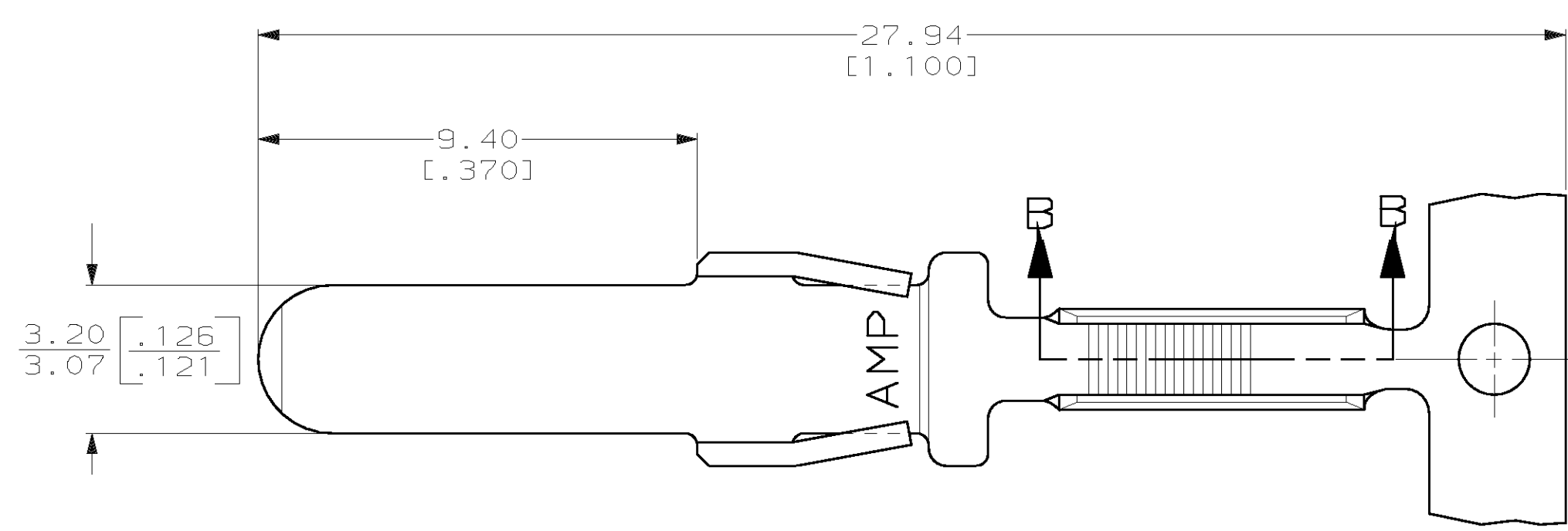
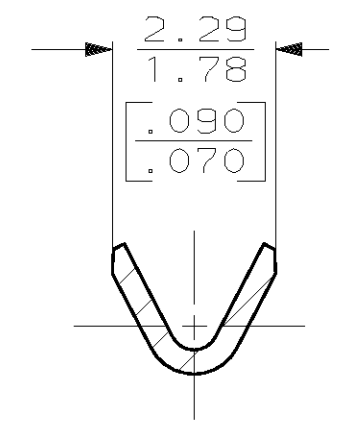
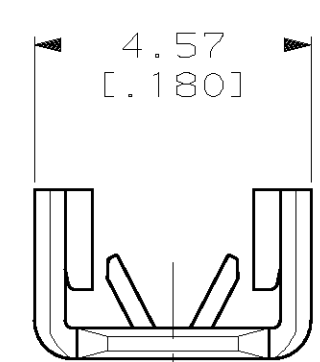
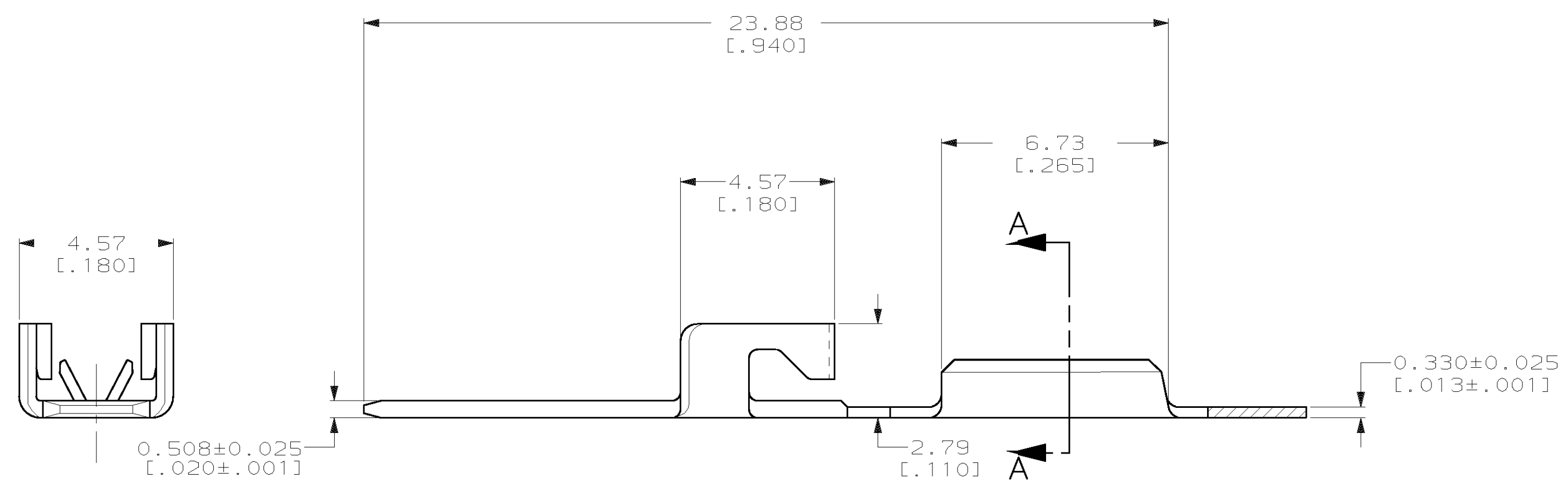


THIS DRAWING IS UNPUBLISHED. RELEASED FOR PUBLICATION ,19 .
 © COPYRIGHT 19 BY AMP INCORPORATED. ALL INTERNATIONAL RIGHTS RESERVED.

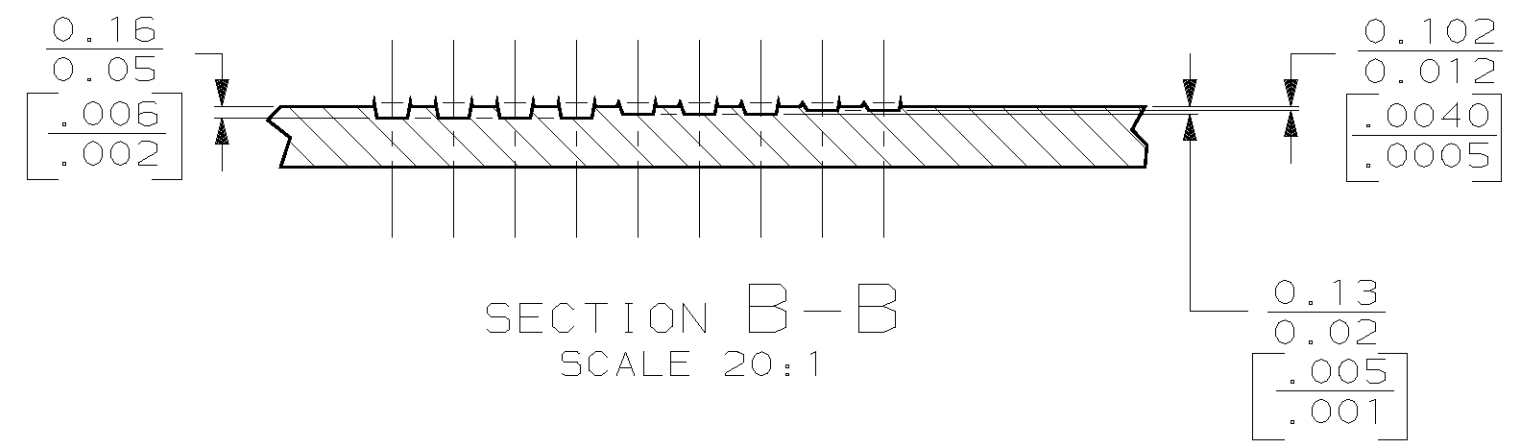
LOC		DIST		REVISIONS				DATE	APPD
ZONE	LTR	DESCRIPTION	DATE	APPD					
AF	50			E	REV PER 0G1A-0048-99	04JUN99	JR/DD		



1 CONTINUOUS STRIP ON REEL.



SECTION A-A
SCALE 10:1



SECTION B-B
SCALE 20:1

200-850 CMA	1217072-1
WIRE RANGE	PART NO

DO NOT SCALE PRINT. UNLESS SPECIFIED DIMENSIONS IN mm [INCHES] TOLERANCES ON: 2 PLC DEC ± 0.25 [.010] 3 PLC DEC ± - ANGLES ± -	DR 3/10/98 JR RUTH	AMP Incorporated Harrisburg, PA 17105-3608		
	CHK 3/10/98 P FORTNEY			NAME
MATERIAL 4M BRASS	APPD 3/10/98 DON DECKER	CONTACT, 3.18 [.125] BLADE, AMPLIVAR		
FINISH 0.002032 [.000080] MIN TIN PL PER MIL-T-10727	APPD 3/10/98 D BRATINA			
	PRODUCT SPEC	SIZE	CAGE CODE	DRAWING NO
	APPLICATION SPEC	③	00779	③=1217072
	WEIGHT -	SCALE	8:1	SHEET
				1 OF 1

THIS DRAWING IS A CONTROLLED DOCUMENT FOR AMP INCORPORATED. IT IS SUBJECT TO CHANGE AND THE CONTROLLING ENGINEERING ORGANIZATION SHOULD BE CONTACTED FOR THE LATEST REVISION.