

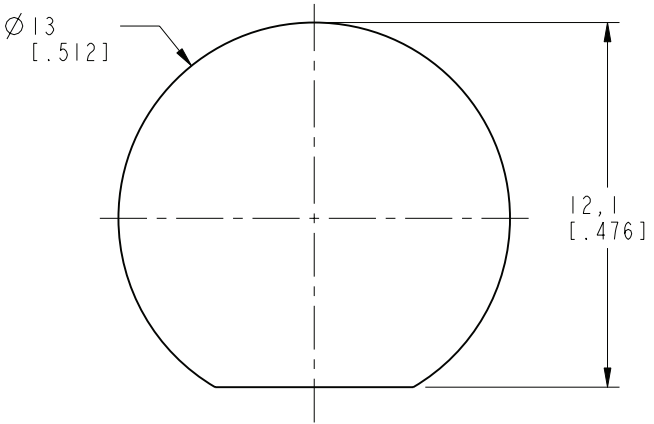
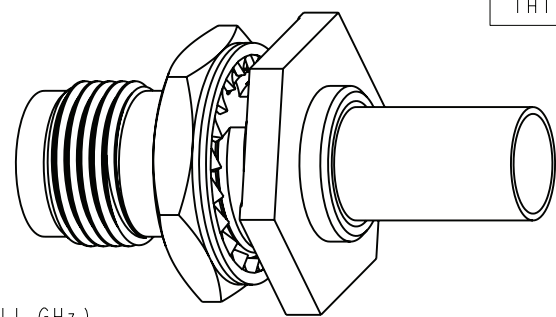
NOTES:

- MATERIALS AND FINISHES:
 BODY, HOUSING, BARREL, LOCK WASHER & HEX NUT - BRASS, NICKEL PLATING
 FERRULE - BRASS, NICKEL PLATING
 CONTACT - PHOSPHOR BRONZE, GOLD PLATING
 GASKETS & O-RING - SILICONE RUBBER, RED
 INSULATOR - PTFE, NATURAL
- ELECTRICAL:
 A. IMPEDANCE: 50 OHMS
 B. FREQUENCY RANGE: DC - 11 GHz (OR MAXIMUM FREQUENCY OF APPLIED CABLE, UP TO 11 GHz)
 C. DIELECTRIC WITHSTANDING VOLTAGE: 1500 VRMS, MIN.
- MECHANICAL:
 A. DURABILITY: 500 CYCLES MIN.
 B. TEMPERATURE RANGE: -65°C TO +165°C
- CRIMPED FERRULE HEX CRIMP SIZE 6.48 [.255]
- CRIMPED CONTACT PIN HEX. CRIMP SIZE .068" OR SOLDER
- MAX. PANEL THICKNESS = 3.50 [.138]

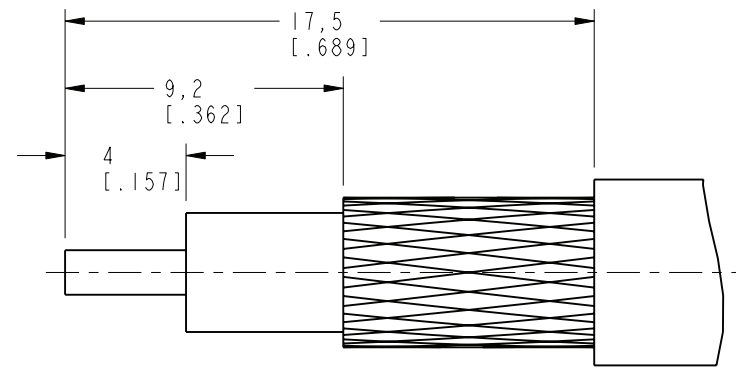
7 SHOWS CABLE ENTRY DIMENSIONS.

THIRD ANGLE PROJ.

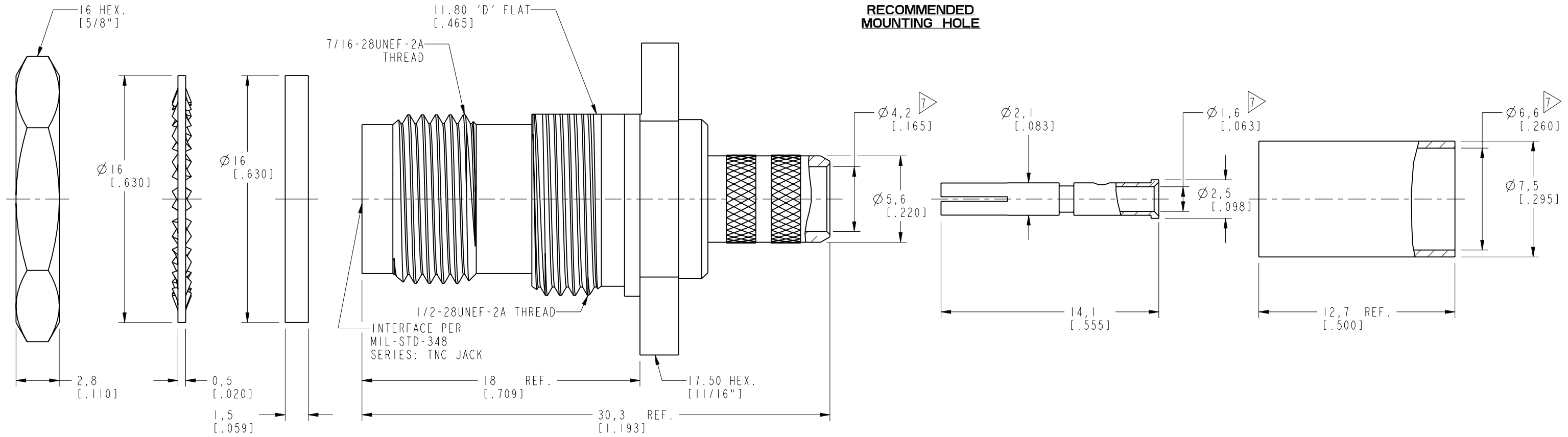
REVISIONS				
REV	DESCRIPTION	DATE	ECN	APPR
NC	INITIAL RELEASE	18-Aug-98	-----	GRS
A	UPDATE DRAWING FORMAT	22-Nov-08	100059	GRS
B	SYNC, REMOVED "CONNEX" STAMP	17-Aug-18	08882	SH



RECOMMENDED MOUNTING HOLE



RECOMMENDED CABLE STRIPPING DIM'S



CUSTOMER OUTLINE DRAWING
 ALL OTHER SHEETS ARE FOR INTERNAL USE ONLY

UNLESS OTHERWISE SPECIFIED, DIMENSIONS ARE IN METRIC AND TOLERANCES ARE:
 <0.5mm ±0.05mm 0.5 - 6mm ±0.1mm 6 - 30mm ±0.2mm 30 - 120mm ±0.3mm ANGLES ±1°

NOTICE - These drawings, specifications, or other data (1) are, and remain the property of Amphenol corp. (2) must be returned upon request; and (3) are confidential and not to be disclosed to any person other than those to whom they are given by Amphenol Corp. the furnishing of these drawings, specifications, or other data by Amphenol Corp., or to any other person to anyone for any purpose is not to be regarded by implication or otherwise in any manner licensing, granting rights to permitting such holder or any other person to manufacture, use or sell any product, process or design, patented or otherwise, that may in any way be related to or disclosed by said drawings, specifications, or other data.

MATERIAL	SEE NOTES
REFERENCE	
EAR#	
REF:	
CONFIGURATION LEVEL:	In Work
FINISH	

DRAWN	M. ZHANG	DATE	17-Aug-18
ENGINEER	ROBIN	DATE	19-Aug-00
APPROVED	S. HSIEH	DATE	17-Aug-18
CAD FILE			

TITLE	TNC BULKHEAD CRIMP JACK, (FOR RG-8/X CABLE)	
SCALE:	4.0:1.0	SHEET 2 OF 2
DWG SIZE	B	REV B

Amphenol RF	
www.amphenolrf.com	
DRAWING NO.	T6421A1-NT3G-8X-50
ITEM NO.	026421AAJ89BA5F
PART NO.	122415