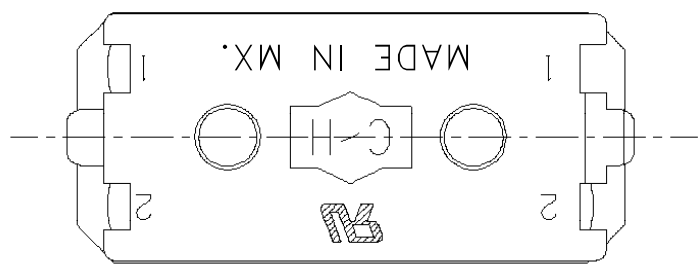
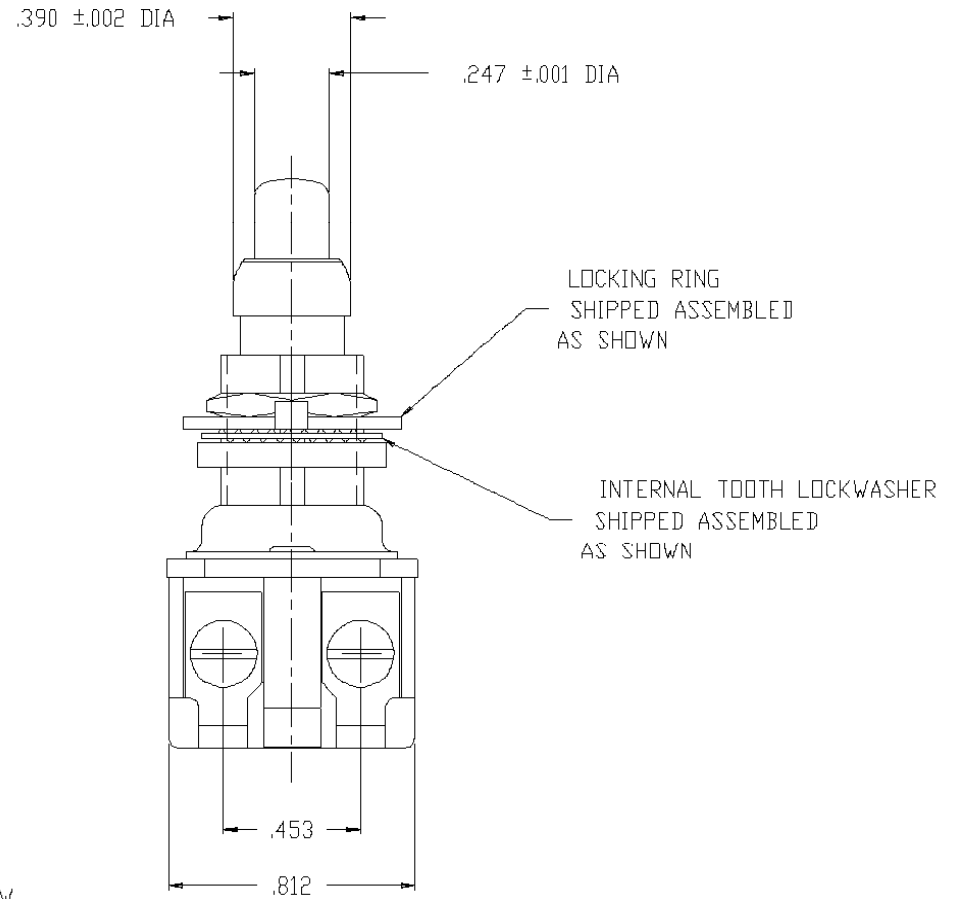
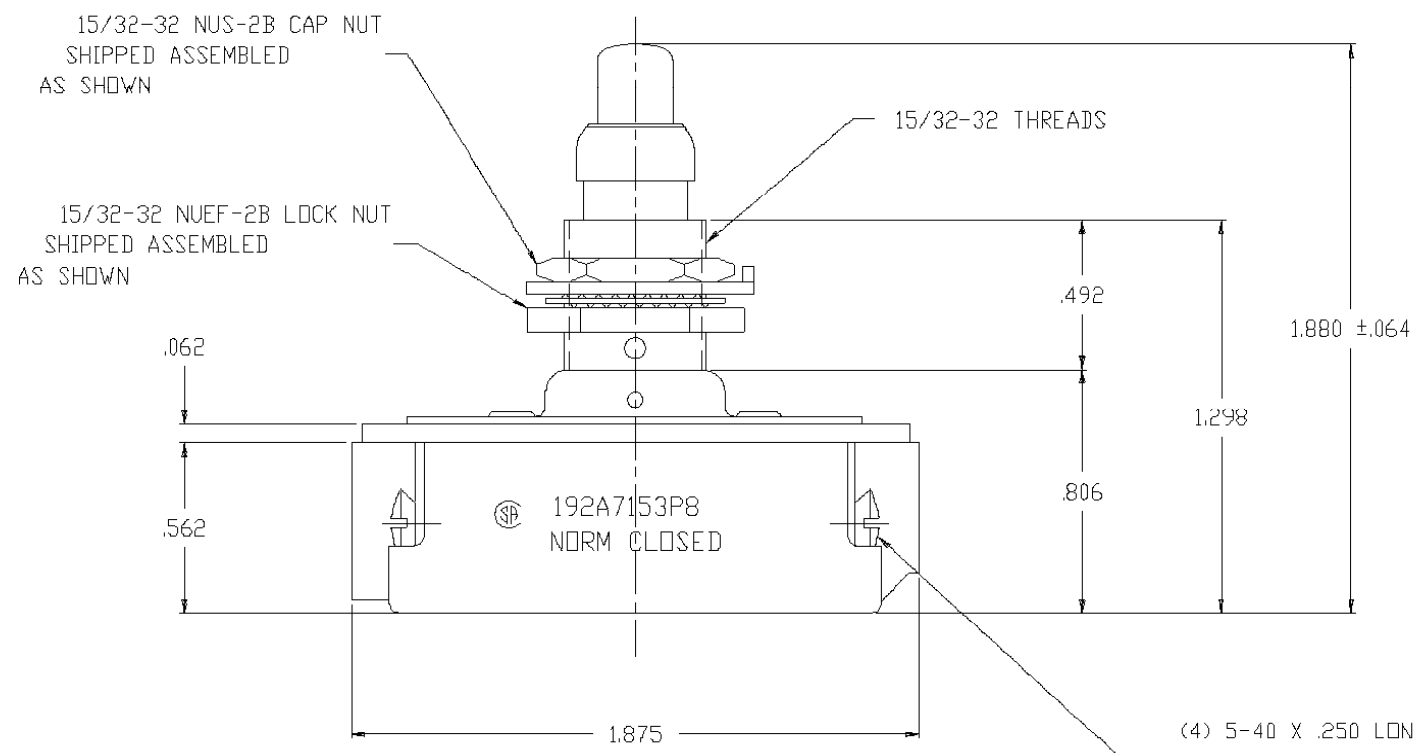
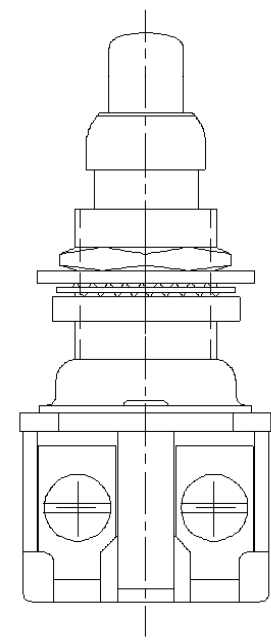
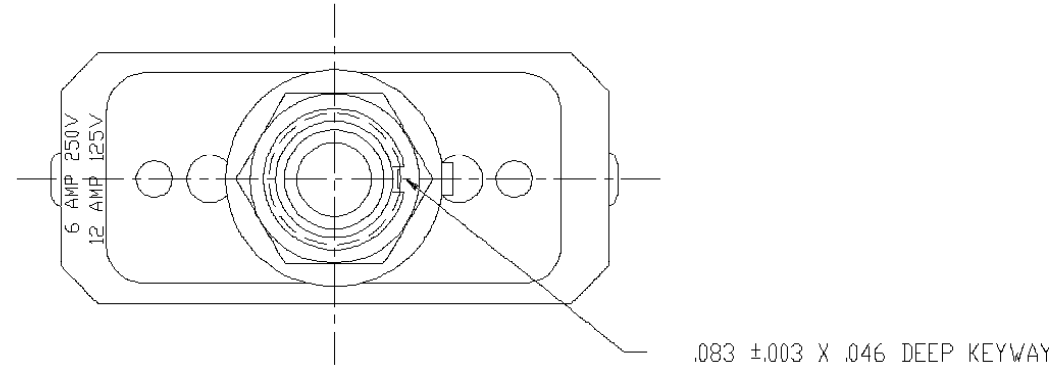


| REVISIONS |     |                           |           |       |
|-----------|-----|---------------------------|-----------|-------|
| P         | LTR | DESCRIPTION               | DATE      | APVD  |
| B         |     | REVISED PER ECR-17-008920 | 21JUN2017 | SK AS |



1. UNLESS OTHERWISE SPECIFIED ALL TOLERANCE TO BE ±.016.
2. SWITCH ASSEMBLED WITH SYN-TECH NS-5888-G SYNTHETIC GREASE

|  |   |                                |  |              |       |   |   |       |   |   |       |   |   |       |   |   |        |   |   |              |      |           |
|--|---|--------------------------------|--|--------------|-------|---|---|-------|---|---|-------|---|---|-------|---|---|--------|---|---|--------------|------|-----------|
| THIS DRAWING IS A CONTROLLED DOCUMENT.   |   | DWN<br>W. LEONARD<br>3/30/92   | <b>TE Connectivity</b>   |              |       |   |   |       |   |   |       |   |   |       |   |   |        |   |   |              |      |           |
| DIMENSIONS:<br>INCHES  |   | CHK<br>WESTEMEIER<br>4/10/92   |  |              |       |   |   |       |   |   |       |   |   |       |   |   |        |   |   |              |      |           |
| TOLERANCES UNLESS OTHERWISE SPECIFIED:   |   | APVD<br>M.R. DUMMER<br>4/14/92 | NAME<br>D.P.S.T. MOMENTARY CONTACT PUSH SWITCH<br>W/ OVERTHROW - NORMALLY "ON" |              |       |   |   |       |   |   |       |   |   |       |   |   |        |   |   |              |      |           |
| <table border="0"> <tr><td>0 PLC</td><td>±</td><td>-</td></tr> <tr><td>1 PLC</td><td>±</td><td>-</td></tr> <tr><td>2 PLC</td><td>±</td><td>-</td></tr> <tr><td>3 PLC</td><td>±</td><td>-</td></tr> <tr><td>4 PLC</td><td>±</td><td>-</td></tr> <tr><td>ANGLES</td><td>±</td><td>-</td></tr> </table> |   | 0 PLC                          | ±  | -            | 1 PLC | ± | - | 2 PLC | ± | - | 3 PLC | ± | - | 4 PLC | ± | - | ANGLES | ± | - | PRODUCT SPEC | SIZE | CAGE CODE |
| 0 PLC  | ± | -                              |  |              |       |   |   |       |   |   |       |   |   |       |   |   |        |   |   |              |      |           |
| 1 PLC  | ± | -                              |  |              |       |   |   |       |   |   |       |   |   |       |   |   |        |   |   |              |      |           |
| 2 PLC  | ± | -                              |  |              |       |   |   |       |   |   |       |   |   |       |   |   |        |   |   |              |      |           |
| 3 PLC  | ± | -                              |  |              |       |   |   |       |   |   |       |   |   |       |   |   |        |   |   |              |      |           |
| 4 PLC  | ± | -                              |  |              |       |   |   |       |   |   |       |   |   |       |   |   |        |   |   |              |      |           |
| ANGLES   | ± | -                              |  |              |       |   |   |       |   |   |       |   |   |       |   |   |        |   |   |              |      |           |
| MATERIAL   |   | APPLICATION SPEC               | A2   | 00779        |       |   |   |       |   |   |       |   |   |       |   |   |        |   |   |              |      |           |
| FINISH   |   | WEIGHT                         | 0  | DRAWING NO   |       |   |   |       |   |   |       |   |   |       |   |   |        |   |   |              |      |           |
|  |   | CUSTOMER DRAWING               | C=1520144  |              |       |   |   |       |   |   |       |   |   |       |   |   |        |   |   |              |      |           |
|  |   | SCALE                          | NTS  | SHEET 1 OF 1 |       |   |   |       |   |   |       |   |   |       |   |   |        |   |   |              |      |           |
|  |   | REV                            | B  |              |       |   |   |       |   |   |       |   |   |       |   |   |        |   |   |              |      |           |