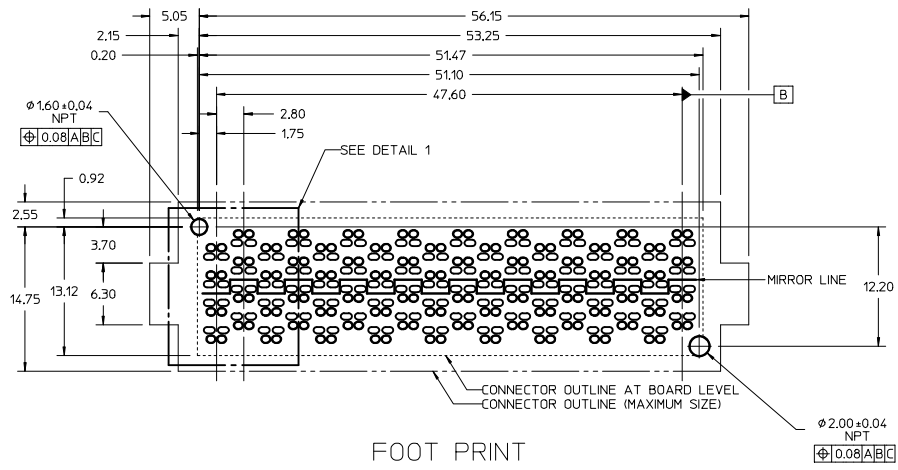
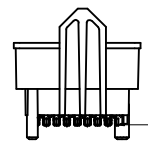
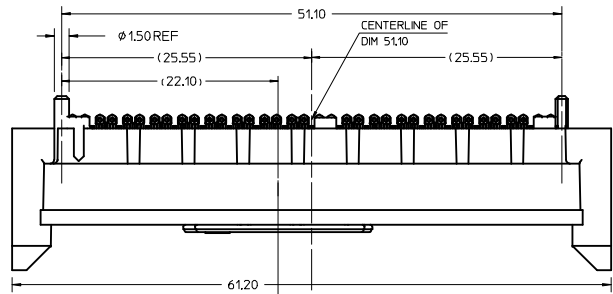


- NOTES:
- HOUSING MATERIAL: LCP, GLASS FILLED, UL 94V-0, BLACK  
CONTACT MATERIAL: HIGH PERFORMANCE COPPER ALLOY  
SOLDER CHARGE: LEAD FREE SOLDER ALLOY
  - FINISH:  
CONTACTS: SELECTIVE GOLD: 30 MICRONS MIN ON CONTACT AREA,  
SELECTIVE TIN: 100 MICRONS MIN ON SOLDERABLE PORTION  
OF SOLDER TAILS, OVER 50 MICRONS MIN NICKEL OVERALL.
  - PRODUCT SPECIFICATION: PS-170807-0001
  - PACKAGING SPECIFICATION: PK-170814-002
  - APPLICATION SPECIFICATION: AS-170807-0001

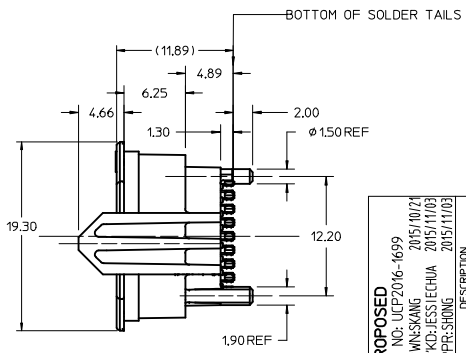
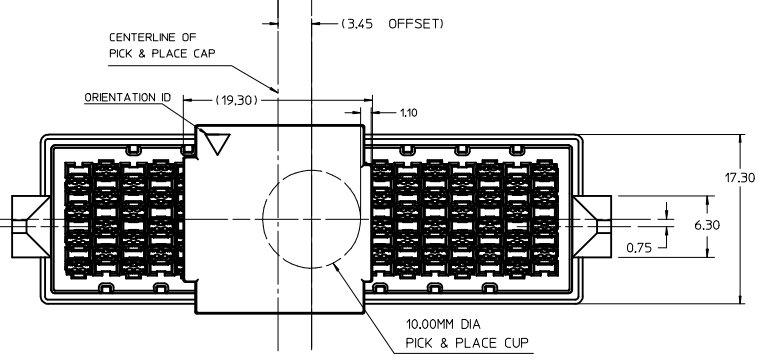
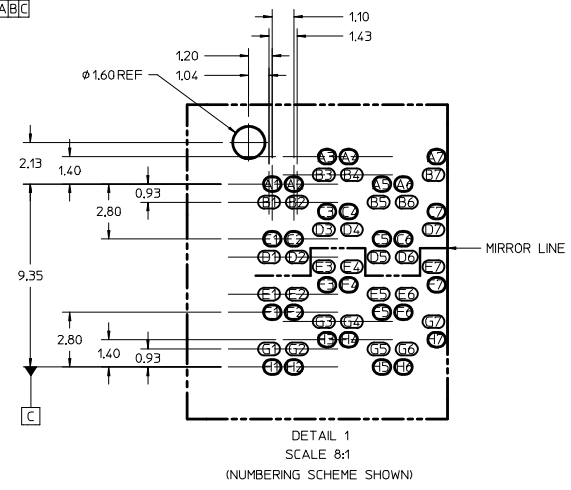


FOOT PRINT

- FOOT PRINT NOTES:
- DATUM -A- IS THE TOP OF THE PCB.
  - ALL DIMENSIONS ARE BASICS.
  - ROW A, C, F, AND H PADS (SIGNAL PADS) ARE COPPER DEFINED.
  - ROW B, D, E, AND G PADS (SHIELD PADS) ARE SOLDER MASK DEFINED.



COPLANARITY REQUIREMENT  
(SCALE 3:1)



<b>PROPOSED</b> EC NO: UCP2016-1699 2015/10/21 DRAWNSKANG CHYO-JESSIECHUA 2015/11/03 APPR-SHONG 2015/11/03	QUALITY SYMBOLS	GENERAL TOLERANCES (UNLESS SPECIFIED)	DIMENSION STYLE	SCALE	DESIGN UNITS	THIRD ANGLE PROJECTION	
	▽=0 ▽=0 ▽=0	mm INCH 4 PLACES ± --- ± --- 3 PLACES ± --- ± --- 2 PLACES ± 0.15 ± --- 1 PLACE ± --- ± ---	MM ONLY	4:1	METRIC	SKANG BY DATE 2015/10/21 CHECKED BY DATE JESSIECHUA DATE APPROVED BY DATE SHONG 2015/11/03	
	DRAFT WHERE APPLICABLE MUST REMAIN WITHIN DIMENSIONS		MATERIAL NO. 1708140043		DOCUMENT NO. SD-170814-0043		RECEPTACLE 4X18, 8MM, 85 OHMS NEOSCALE MOLEX INCORPORATED SHEET NO. 1 OF 1
	THIS DRAWING CONTAINS INFORMATION THAT IS PROPRIETARY TO MOLEX INCORPORATED AND SHOULD NOT BE USED WITHOUT WRITTEN PERMISSION						