

Housing - HC-D 7-AML-26/GW - 1773022

Please be informed that the data shown in this PDF Document is generated from our Online Catalog. Please find the complete data in the user's documentation. Our General Terms of Use for Downloads are valid (<http://phoenixcontact.com/download>)



HEAVYCON D7 panel mounting base, with single locking latch, height: 25.5 mm, angled, zinc die-cast



Key Commercial Data

| | |
|--------------|---------------|
| Packing unit | 10 pc |
| GTIN | |
| GTIN | 4017918134426 |

Technical data

Dimensions

| | |
|-------------------------------|---------|
| Height | 25.5 mm |
| Width | 40.5 mm |
| Length | 24 mm |
| Length of the assembly cutout | 21 mm |
| Width of the assembly cutout | 21 mm |

Ambient conditions

| | |
|--------------------------------------|---------------------------|
| Degree of protection of housing (IP) | IP54 |
| | IP65 (with sealing screw) |
| Ambient temperature (operation) | -40 °C ... 125 °C |

General

| | |
|------------------|---|
| Note | for contact inserts HC-A03, A04, D07, D08, Q02, Q03, Q04, Q05, Q07, Q12 |
| Size | D7 |
| Housing type | Panel mounting base |
| Locking type | with single locking latch |
| Screw connection | none |
| Housing material | Zinc die-cast |

Housing - HC-D 7-AML-26/GW - 1773022

Technical data

General

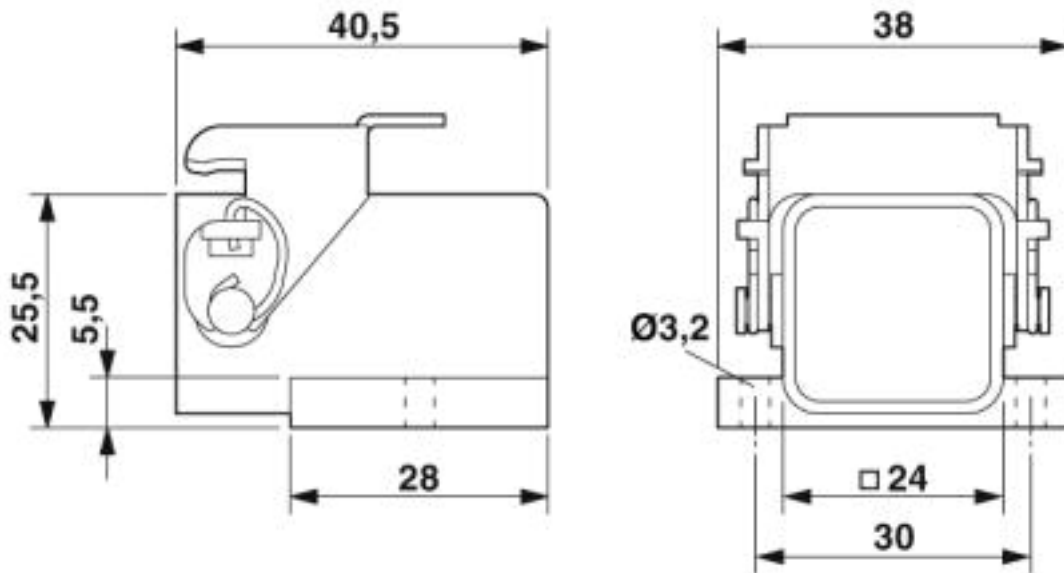
| | |
|--------------------------|----------------------------------|
| Housing surface material | Powder-coated, gray |
| Seal material | NBR |
| Material lock | Steel, galvanized and passivated |

Environmental Product Compliance

| | |
|------------|---|
| China RoHS | Environmentally friendly use period: unlimited = EFUP-e |
| | No hazardous substances above threshold values |

Drawings

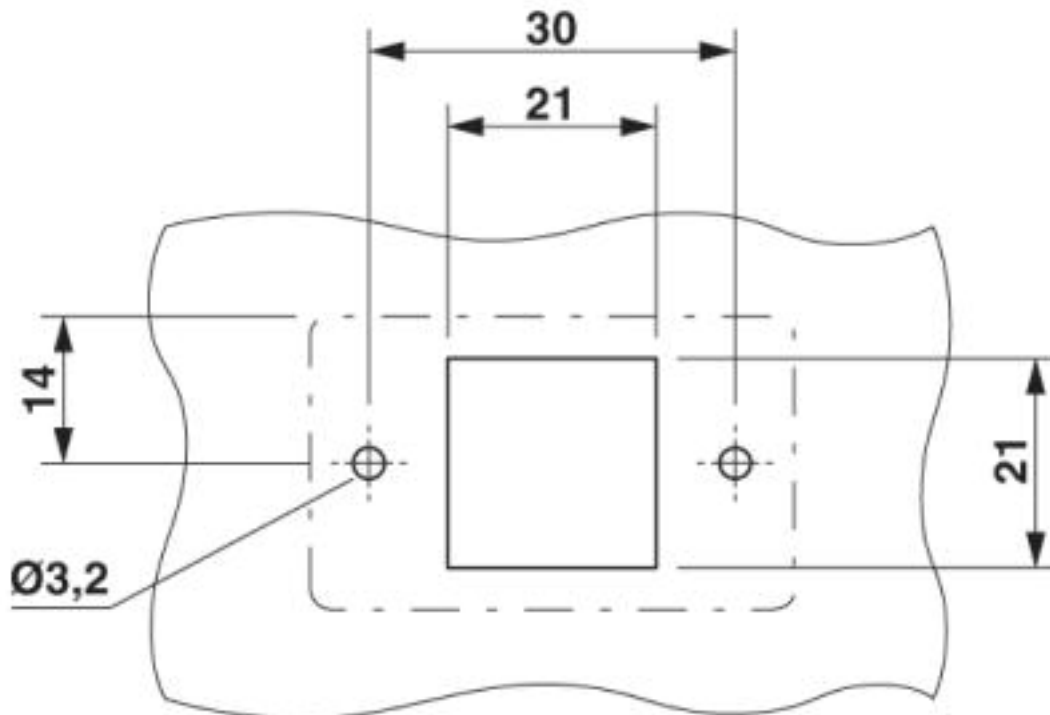
Dimensional drawing



Dimensional drawing

Housing - HC-D 7-AML-26/GW - 1773022

Dimensional drawing



Mounting cutout

Phoenix Contact 2019 © - all rights reserved
<http://www.phoenixcontact.com>

PHOENIX CONTACT GmbH & Co. KG
Flachsmarktstr. 8
32825 Blomberg
Germany
Tel. +49 5235 300
Fax +49 5235 3 41200
<http://www.phoenixcontact.com>