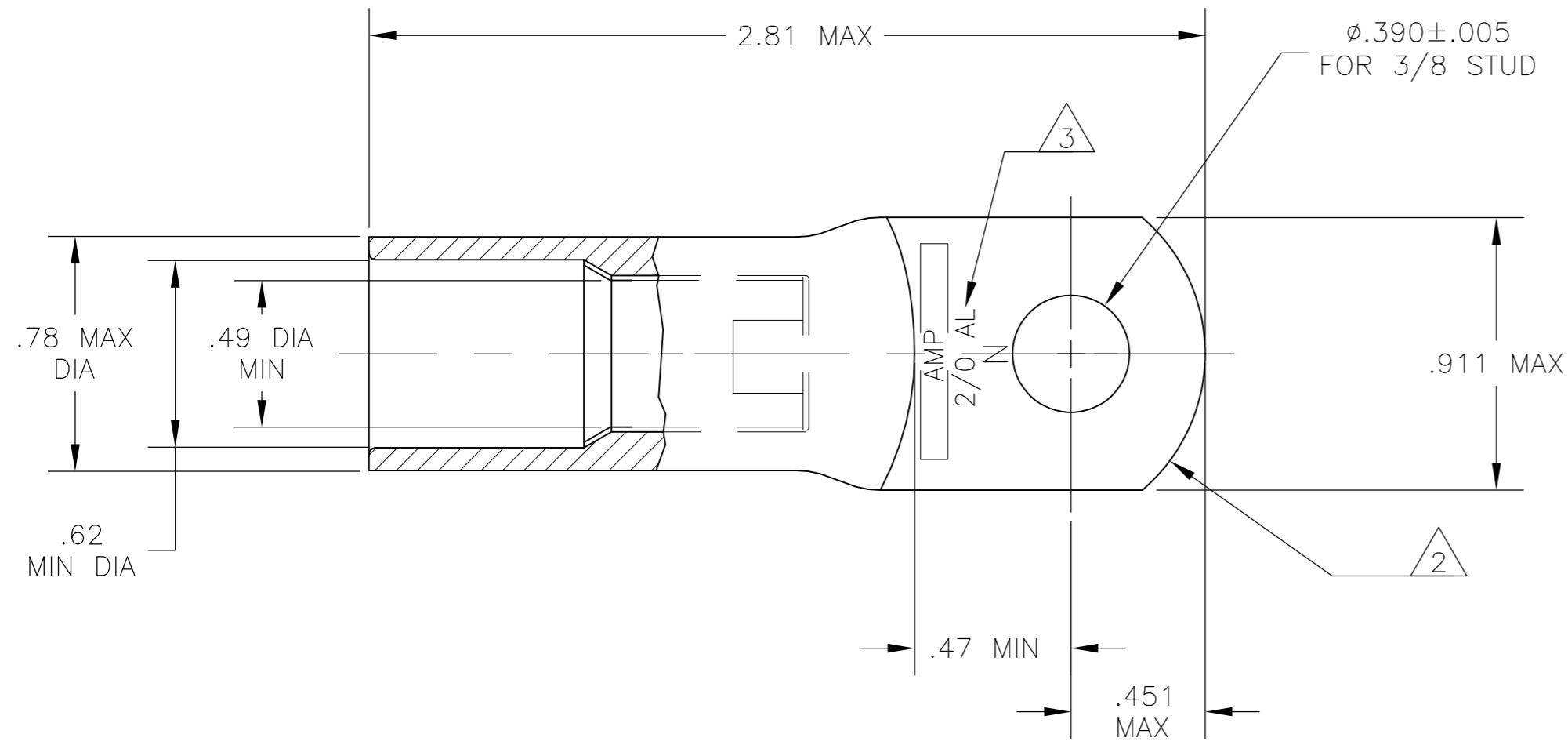
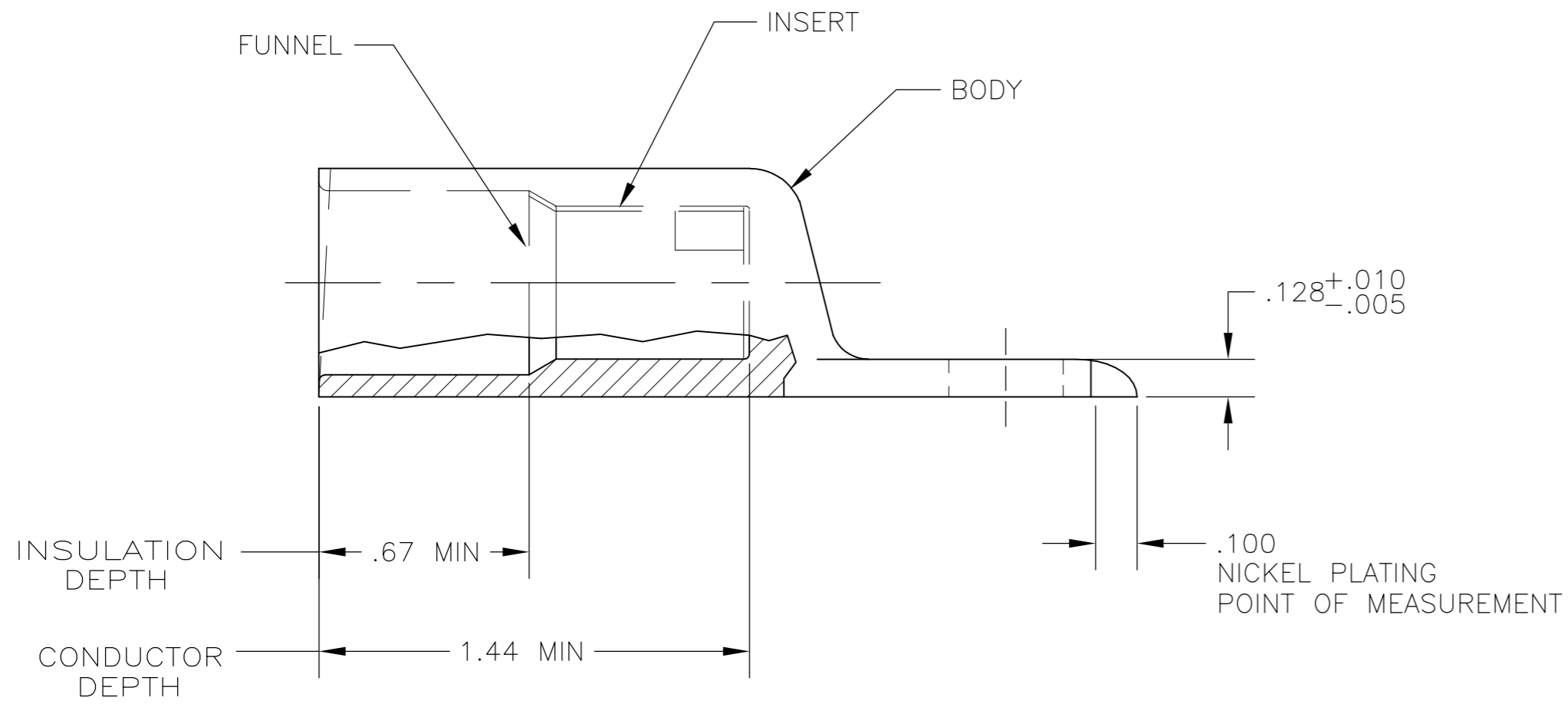


THIS DRAWING IS UNPUBLISHED. RELEASED FOR PUBLICATION  
 © COPYRIGHT - By - ALL RIGHTS RESERVED.

LOC		DIST		REVISIONS			
P	LTR	DESCRIPTION	DATE	DWN	APVD		
	E	REV PER ECO-16-009651	29JUL2016	RS	CT		



- 1 WIRE INSULATION: .490-.574 DIA
- 2 THE TONGUE RADIUS FEATURE IS NOT A TOOLING CONTROLLED DIMENSION AND MAY NOT BE A TRUE RADIUS.
- 3 STAMP "AMP 2/0 AL N" SIZE AND LOCATION APPROX AS SHOWN



INSERT & FUNNEL: BRASS MIL-C-50 NICKEL PL QQ-N-290 .000100 MIN THK BODY: COPPER ASTM-B187 ANNEALED NICKEL PL .000300 MIN THK PER QQ-N-290	1958058-1
MATERIAL & FINISH	PART NO.

THIS DRAWING IS A CONTROLLED DOCUMENT.		DWN	JR RUTH	05JAN07	TE Connectivity
DIMENSIONS: INCHES		CHK	JOHN KNOLL	05JAN07	
TOLERANCES UNLESS OTHERWISE SPECIFIED:		APVD	JOHN KNOLL	05JAN07	
0 PLC ± - 1 PLC ± - 2 PLC ± - 3 PLC ± .008 4 PLC ± - ANGLES ± -		PRODUCT SPEC	NAME		
MATERIAL SEE TABLE		FINISH	SEE TABLE		WIRE TERMINAL, RING TONGUE, SEALED COPALUM, WIRE SIZE: 2/0 ALUMINUM
WEIGHT		81 GRAMS		SIZE	A2
CUSTOMER DRAWING		SCALE		2:1	SHEET
				1 of 1	
				REV	
				E	