

- 1
- 2
- 3
- 4
- 5
- 6
- 7
- 8
- 9
- 10
- 11
- 12
- 13
- 14
- 15
- 16
- 17
- 18

MATERIAL

Glass-fibre reinforced polypropylene based (PP) technopolymer, black colour, matte finish.

BOSS CAP

- ECB.I: polyester based technopolymer (PBT) in Elecolors colours, glossy finish, press-fit assembly. Supplied.
Available also as accessory sold separately (see table).

STANDARD EXECUTIONS

Black-oxide steel boss, H7 reamed hole.
- **EMW+IEL**: with revolving handle IEL+x SOFT(see page 377) in technopolymer coated with "Soft touch" thermoplastic elastomer (TPE).
- **EMW+IR**: with fold-away handle IR.620 (see page 414) in technopolymer.

SPECIAL EXECUTIONS ON REQUEST

Bosses with hole and keyway in compliance with DIN 6885/1 tolerance P9 (see page A-16).

To order the handwheel with keyway complete code and description with the index -K (i.e. 204611-K- EMW.350+IEL A-20-K).

For sufficient quantities: executions with locking device (Elesa patent), (see page 128).

ACCESSORIES ON REQUEST

- GN 184: axial retaining washer in black-oxide steel (see page 897).
- ECB.I: boss cap in polyester based technopolymer (PBT) in Elecolors colours, glossy finish, press-fit assembly (see table).



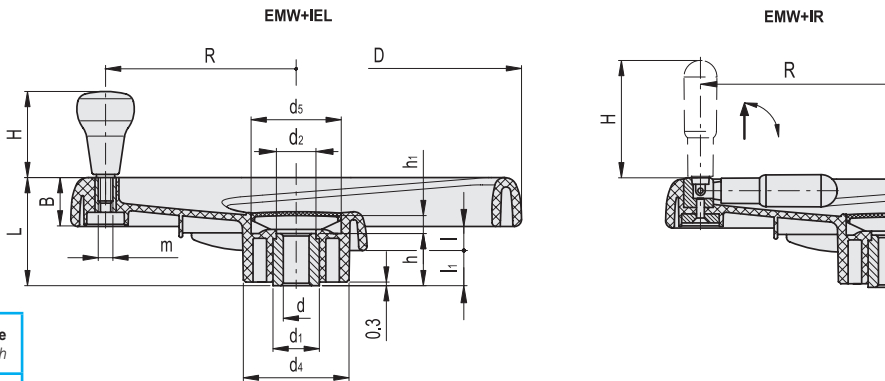
ERGOSTYLE® ELESA Original design

- C1** RAL7021
- C2** RAL2004
- C3** RAL7035
- C4** RAL1021
- C5** RAL5024
- C6** RAL3000

ECB.I

Code	Description	Boss cap for
29451-*	ECB.I3-*	EMW.350

* Complete with colour index (C1, ..., C6).



Conversion Table	
1 mm = 0.039 inch	
D	
mm	inch
350	13.78



* Complete with colour index, example: 204611-C2 EMW.350+IEL A-20-C2

- C1** RAL7021
- C2** RAL2004
- C3** RAL7035
- C4** RAL1021
- C5** RAL5024
- C6** RAL3000

METRIC

EMW+IEL

Code	Description	D	dH7	L	B	d1	d2	d4	d5	l	l1	h	h1	H	m	R	C# [Nm]	L# [J]	⚖️
204611-*	EMW.350+IEL-A-20-*	350	20	82	38	35	33	82	70	19	25	38	14	65	M10	148	380	14	1195

METRIC

EMW+IR

Code	Description	D	dH7	L	B	d1	d2	d4	d5	l	l1	h	h1	H	R	C# [Nm]	L# [J]	⚖️
204711-*	EMW.350+IR-A-20-*	350	20	82	38	35	33	82	70	19	25	38	14	90	148	380	14	1240