

4

3

2

1

THIS DRAWING IS UNPUBLISHED.

RELEASED FOR PUBLICATION

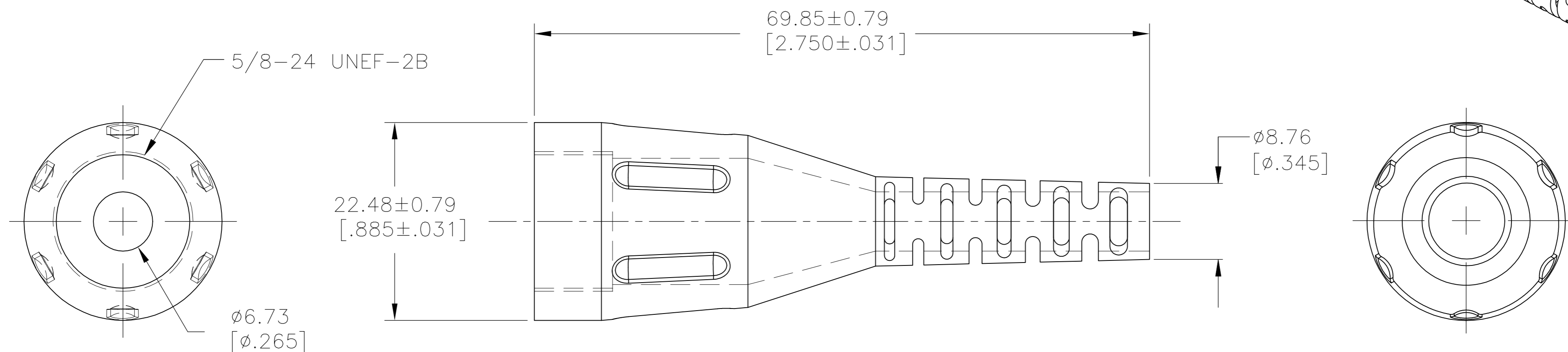
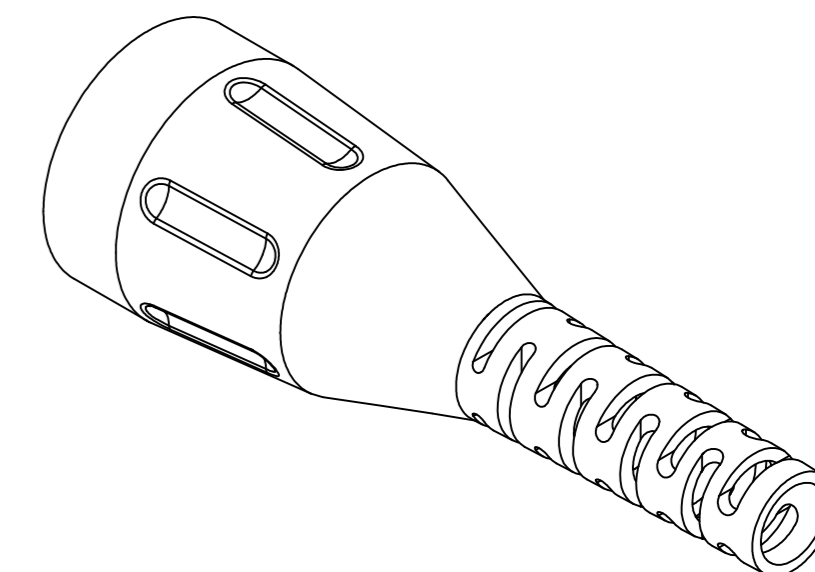
-, -

© COPYRIGHT - By -

ALL RIGHTS RESERVED.

REVISIONS

P	LTR	DESCRIPTION	DATE	DWN	APVD
C1		REVISED PER ECO-11-005027	11MAR11	RK	HMR
D		REVISED PER ECO-17-017908	07DEC2017	RS	MZ



1. CABLE RANGE IS 3.81 [.150] – 6.35 [.250] WHEN USED WITH CABLE GRIPPER P/N 207490-1.

207489-1
PART NO

THIS DRAWING IS A CONTROLLED DOCUMENT.		DWN M.BINNER 07/29/94														
DIMENSIONS: mm [INCHES]		CHK R.STONE 8-8-94														
TOLERANCES UNLESS OTHERWISE SPECIFIED:		APVD A.FRANTUM 8-9-94	NAME CABLE BOOT, FLEXIBLE, SIZE II, CPC													
<table border="0"> <tr><td>0 PLC</td><td>± -</td></tr> <tr><td>1 PLC</td><td>± -</td></tr> <tr><td>2 PLC</td><td>± 0.13 [.005]</td></tr> <tr><td>3 PLC</td><td>± -</td></tr> <tr><td>4 PLC</td><td>± -</td></tr> <tr><td>ANGLES</td><td>± -</td></tr> </table>		0 PLC	± -	1 PLC	± -	2 PLC	± 0.13 [.005]	3 PLC	± -	4 PLC	± -	ANGLES	± -	PRODUCT SPEC -	RESTRICTED TO -	
0 PLC	± -															
1 PLC	± -															
2 PLC	± 0.13 [.005]															
3 PLC	± -															
4 PLC	± -															
ANGLES	± -															
MATERIAL THERMOPLASTIC COLOR: BLACK		FINISH -	APPLICATION SPEC -	WEIGHT -												
CUSTOMER DRAWING			SIZE A3	CAGE CODE 00779												
			DRAWING NO C-207489	SCALE 2:1												
			SHEET 1 OF 1	REV D												