

Pin	Signal	Signal	Pin	PCB pad no.	Signal
A1	GND	GND	B12	C1	GND
A4	VBUS	VBUS	B9	C2	VBUS
A5	CC1	SBU2	B8	C3	SBU2
A6	DP1	DN2	B7	C4	CC1
A7	DN1	DP2	B6	C5	DN2
A8	SBU1	CC2	B5	C6	DP1
A9	VBUS	VBUS	B4	C7	DN1
A12	GND	GND	B1	C8	DP2
				C9	SBU1
				C10	CC2
				C11	VBUS
				C12	GND

Revision:	Date:	Description:	Prepared:	Notes:	<h1>TENSILITY</h1> <p>tel 1.541.323.3228 800 877.670.7118 fax 1.541.323.4202 web tensility.com</p>
A	5/03/2022	Initial release	Verified:	RoHS compliant	
			Dimensions are in millimeters. Tolerances: X: ± 0.3 mm X.X: ± 0.1 mm X.XX: ± 0.05 mm	Function test: no open, no short circuit, no Intermittent	
				Description: Connector, USB C 2.0 jack, 16 pin, SMT, through hole, 90°, nickel shell, IPX7 waterproof, reel	
Scale: 4:1		Part number: 54-00304		Sheet 1 of 2	

5 4 3 2 1

Ratings

Voltage: 30 Vdc
Current: 3 A

Operating Temperature Range

-40 ~ 85 °C, relative humidity of 85% or less

Materials

- ① Insulator: PA10T + 30% GF, UL94 V-0, black
- ② Pin: C5191 phosphor bronze, gold plating
- ③ Insulator: PA10T + 30% GF, black
- ④ Contact: SUS304, nickel plating
- ⑤ Epoxy: black
- ⑥ O-ring: silicon rubber, black

Electrical Requirements

Dielectric strength: 1 min @ 100 Vac
Insulation resistance: 100 MΩ min
Contact resistance: 40 mΩ or less

Mechanical Requirements

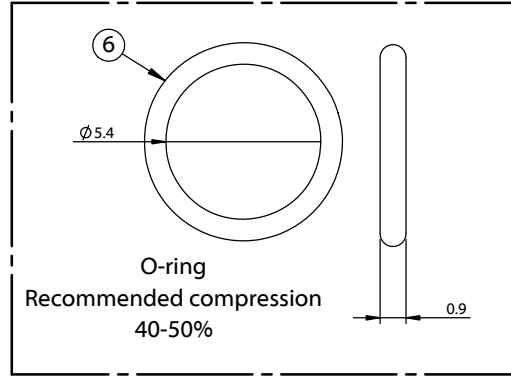
Insertion force: 0.5-2 kgf
Withdrawal force: 0.8-2 kgf
Life cycle: 10000 mating cycles while maintaining less than 50mΩ contact resistance (terminal) and 100mΩ contact resistance (ground)

Environmental Requirements

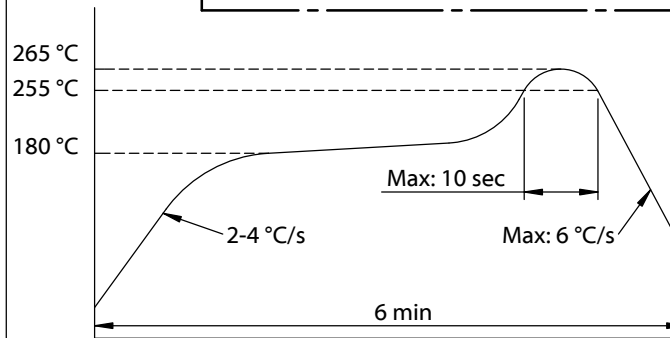
Waterproof: IPX7

Packaging

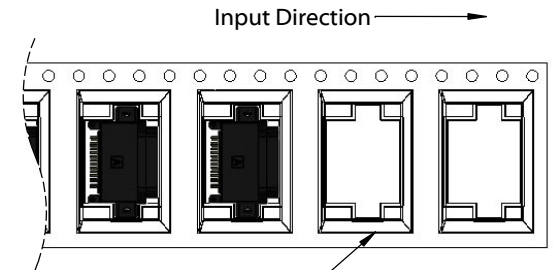
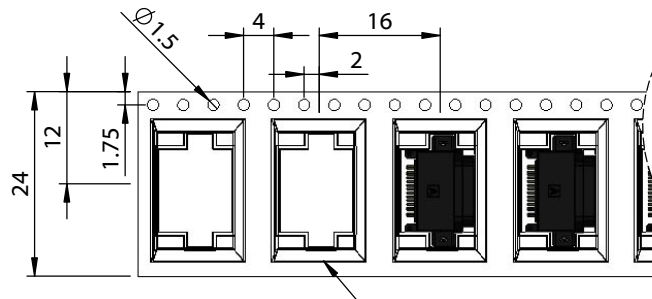
Tape and reel
700 pieces per reel
10 reels per carton



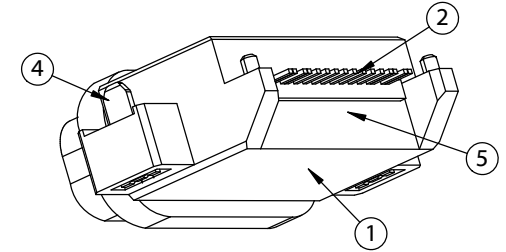
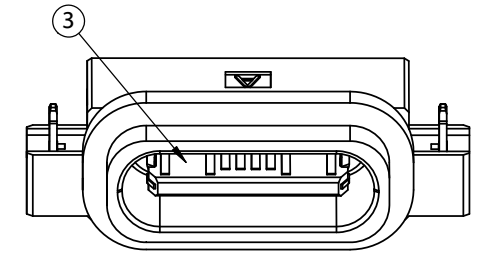
T (°C)



Reflow soldering temperature profile



300 mm empty at beginning and ending of reel



Revision:	Date:	Description:	Prepared:	Notes:	TENSILITY tel 1.541.323.3228 800 877.670.7118 fax 1.541.323.4202 web tensility.com
A	5/03/2022	Initial release	Verified:		
			Dimensions are in millimeters. Tolerances: X: ± 0.3 mm X.X: ± 0.1 mm X.XX: ± 0.05 mm	Description:	Scale: 5:1
				Connector, USB C 2.0 jack, 16 pin, SMT, through hole, 90°, nickel shell, IPX7 waterproof, reel	Part number: 54-00304