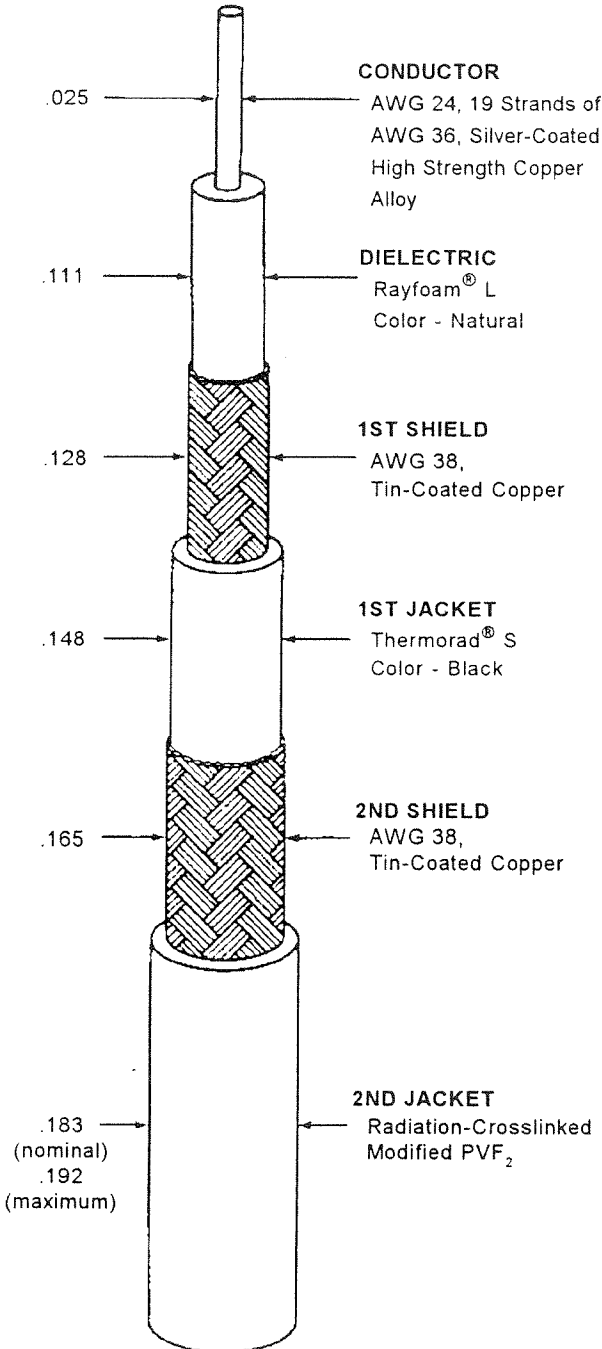


THIS SPECIFICATION SHEET FORMS A PART OF THE LATEST ISSUE OF RAYCHEM SPECIFICATION 1200.

CONSTRUCTION DETAILS

ELECTRICAL CHARACTERISTICS

DIMENSIONS ARE NOMINAL VALUES IN INCHES UNLESS OTHERWISE DESIGNATED.



Outer jacket color will be white (designated by a "-9" appended to the part number, e.g. 7524E5114-9) unless otherwise specified.

Designate outer jacket color with a dash number in accordance with MIL-STD-681.

CHARACTERISTIC IMPEDANCE	75 ± 3 ohms, Method B
CAPACITANCE	17.1 pF/ft. (nominal) at 1 kHz
VELOCITY OF PROPAGATION	79% (nominal)

ADDITIONAL REQUIREMENTS

ELECTRICAL

CONDUCTOR RESISTANCE	26.5 ohms/1000 ft. (nominal)
INSULATION RESISTANCE (CONDUCTOR TO SHIELD)	10,000 megohms (minimum) for 1000 ft.
JACKET FLAWS	-
SPARK TEST	1.0 kV (rms), 60 Hz
IMPULSE TEST	6.0 kV, (peak)
VOLTAGE WITHSTAND (DIELECTRIC)	-
CONDUCTOR TO SHIELD	1000 volts (rms) (minimum)
SHIELD TO SHIELD	500 volts (rms) (minimum)

ENVIRONMENTAL

AGING STABILITY	135°C/-55°C/5.00 inch mandrel
FLAMMABILITY	Method B
HEAT SHOCK	225°C
LOW TEMPERATURE-COLD BEND	-55°C/5.00 inch mandrel

PHYSICAL

INSULATION (DIELECTRIC)	-
ELONGATION	50% (minimum)
TENSILE STRENGTH	800 lbf/in ² (minimum)
JACKET - INNER	-
ELONGATION	250% (minimum)
TENSILE STRENGTH	2000 lbf/in ² (minimum)
JACKET - OUTER	-
ELONGATION	200% (minimum)
TENSILE STRENGTH	4000 lbf/in ² (minimum)
JACKET THICKNESS	-
INNER	.010 inch (nominal)
OUTER	.009 inch (nominal)
SHIELD COVERAGE (EACH)	90% (minimum)

WEIGHT	24.9 lbs/1000 ft. (nominal)
--------	-----------------------------