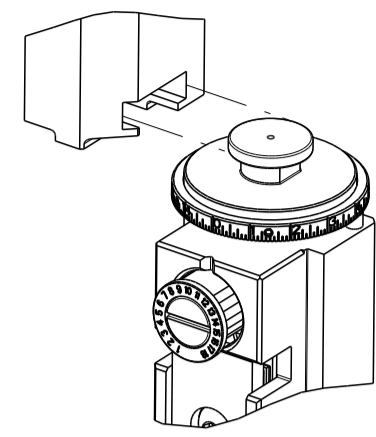


PART NUMBER	REVISION	DESCRIPTION	FEED TYPE
2266103-1	E	FINE CRIMP HEIGHT ADJUST	MECHANICAL
2266103-2	E	FINE CRIMP HEIGHT ADJUST	PNEUMATIC
5-2266103-1	E	SEAL STRIPPER CRIMPER TERMINATING UNIT	MECHANICAL
5-2266103-2	E	SEAL STRIPPER CRIMPER TERMINATING UNIT	PNEUMATIC
7-2266103-1	E	MECHANICAL AND CRIMP TOOLING KIT	MECHANICAL
7-2266103-2	E	PNEUMATIC AND CRIMP TOOLING KIT	PNEUMATIC
7-2266103-7	C	CRIMP TOOLING KIT	-
7-2266103-8	C	APPLICATOR CONVERSION KIT	-

ATLANTIC VERSION TERMINATOR INTERFACE ADAPTER



APPLICATOR DATA		
CRIMP	SIZE	TYPE
WIRE	2.29 mm [.090]	F
INSUL	2.03 mm [.080]	O

APPLICATOR INSTRUCTIONS
408-35042

APPLICATOR CONVERSION KITS	
PART NUMBER	INSULATION DIAMETER RANGE
7-2266100-8	Ø3.05-3.81mm [.120-.150]
7-2266101-8	Ø2.67-3.02mm [.105-.119]
7-2266102-8	Ø2.26-2.64mm [.089-.104]
7-2266103-8	Ø1.93-2.24mm [.076-.088]
7-2266104-8	Ø1.60-1.91mm [.063-.075]

TERMINAL DATA: DEUTSCH TERMINAL		TE CRIMP SPECIFICATION	
TERMINAL NAME: STAMPED CONTACT PIN SIZE 16			
WIRE STRIP LENGTH	INSULATION DIAMETER RANGE	WIRE STRIP LENGTH	INSULATION DIAMETER RANGE
3.81-5.09 mm [.150-.200 IN]	Ø1.93-2.24 mm [.076-.088 IN]	3.81-5.09 mm [.150-.200 IN]	Ø1.93-2.24 mm [.076-.088 IN]
TERMINAL APPLICATION SPECIFICATION	114-151000	TERMINAL APPLICATION SPECIFICATION	114-151000

TERMINAL DATA: DEUTSCH TERMINAL		TE CRIMP SPECIFICATION	
TERMINAL NAME: STAMPED CONTACT SOCKET SIZE 16			
WIRE STRIP LENGTH	INSULATION DIAMETER RANGE	WIRE STRIP LENGTH	INSULATION DIAMETER RANGE
3.81-5.09 mm [.150-.200 IN]	Ø1.93-2.24 mm [.076-.088 IN]	3.81-5.09 mm [.150-.200 IN]	Ø1.93-2.24 mm [.076-.088 IN]
TERMINAL APPLICATION SPECIFICATION	114-151000	TERMINAL APPLICATION SPECIFICATION	114-151000

TERMINALS APPLIED			
TE TERMINAL	DEUTSCH TERMINAL	TE TERMINAL	DEUTSCH TERMINAL
286503-1	1060-16-0122	286503-2	1060-16-0144
286503-3	1060-16-0177	286503-7	1060-16-0722
286503-8	1060-16-0744	286503-9	1060-16-0777
1-286503-1	1060-16-0977	1-286503-2	1060-16-0988
1-286503-4	AT60-16-0122	1-286503-5	AT60-16-0144

TERMINALS APPLIED			
TE TERMINAL	DEUTSCH TERMINAL	TE TERMINAL	DEUTSCH TERMINAL
286504-1	1062-16-0122	286504-2	1062-16-0144
286504-3	1062-16-0177	286504-7	1062-16-0722
286504-8	1062-16-0744	286504-9	1062-16-0777
1-286504-1	1062-16-0977	1-286504-2	1062-16-0988
1-286504-5	AT62-16-0122	1-286504-6	AT62-16-0144

WIRE SIZE	CRIMP HEIGHT mm [INCH]	CRIMP HEIGHT REFERENCE SETTING
14 AWG	1.40+0.03/-0.05 [.055+.001/- .002]	4.6
2.00mm2	1.40+0.03/-0.05 [.055+.001/- .002]	4.6
1.50mm2	1.35+0.03/-0.05 [.053+.001/- .002]	5.2
16 AWG	1.27+0.03/-0.05 [.050+.001/- .002]	6.0
1.00mm2	1.27+0.03/-0.05 [.050+.001/- .002]	6.0
18 AWG	1.24+0.03/-0.05 [.049+.001/- .002]	6.2
0.75mm2	1.22+0.03/-0.05 [.048+.001/- .002]	6.4

***WARNING**
ON INSTALLATION, SET WIRE DISC TO CRIMP HEIGHT REFERENCE SETTING FOR LARGEST WIRE SIZE. CRIMP HEIGHT REFERENCE SETTINGS GREATER THAN THE VALUE SHOWN MAY CAUSE DAMAGE TO THE CRIMP TOOLING, REFER TO THE INSTRUCTION SHEET FOR PROPER SETUP AND ADJUSTMENTS.

- 1. RECOMMENDED SPARE PARTS
- 2. REFER TO SUPPLIED INSTRUCTION SHEET FOR CLEANING, LUBRICATION AND STORAGE OF APPLICATOR.
- 3. APPLY PART NUMBER 1-23419-5 LOCTITE TO THREADS OF ITEMS 180. APPLY PART NUMBER 2-23419-6 LOCTITE TO THREADS OF ITEM 242.
- 4. CRIMP HEIGHT REFERENCE SETTING WAS THE SETTING USED WHEN THE APPLICATOR WAS QUALIFIED AT THE FACTORY. ADJUSTMENT MAY BE NECESSARY WHEN RUNNING APPLICATOR IN THE FIELD.
- 5. SEE APPROPRIATE APPLICATOR LOG SHEETS FOR APPLIED TERMINALS, WIRE RANGE AND MEMORY CHIP.
- 6. TERMINAL LUBRICANT IS RECOMMENDED.
- 7. UNLESS SPECIFIED OTHERWISE TORQUE VALUES SHALL BE USED PER DOCUMENT, 101-35000.

LOC	DIST	REVISIONS					
A	66	P	LTN	DESCRIPTION	DATE	OWN	APVD
		C1		ECR-16-005672	22APR2016	RS	LZ
		C2		ECR-16-017222	07DEC2016	YY	JDG
		D		ECR-18-009615	20JUN2018	JAH	JDG
		E		ECR-23-168663	08MAR2023	JWC	ROY

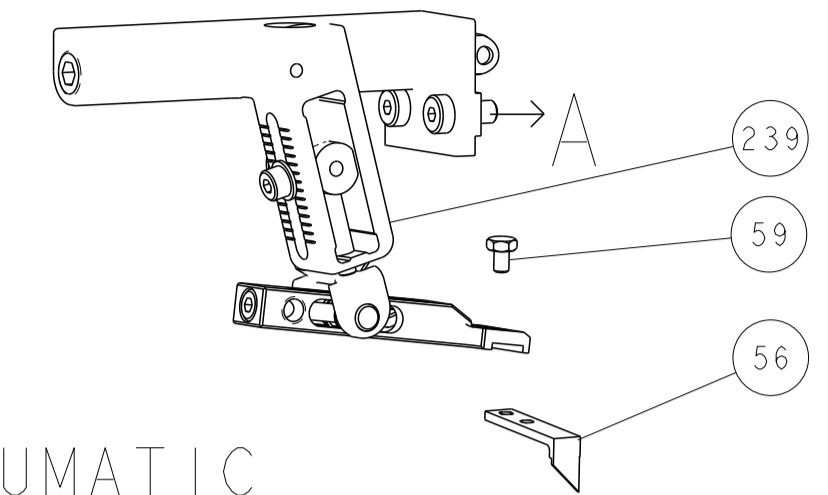
-	-	-	-	1	1	-	-	1803515-3	RAM ASSEMBLY, SF ATLANTIC	293
-	-	-	-	1	1	-	-	2-1803583-1	APPLICATOR BASIC ASSEMBLY, SF	292
-	-	1	1	1	1	1	1	2119791-9	DEPRESSOR, WIRE	286
-	-	1	-	1	-	1	-	2119641-1	FEED CAM, AIR FEED	248
-	-	1	1	1	1	1	1	2119082-9	CAM, SNAIL, INSULATION ADJUSTMENT	244
-	-	1	1	1	1	1	1	2079764-1	WASHER, WAVE SPRING, CREST-TO-CREST	243
-	-	1	1	1	1	1	1	2119083-1	RETAINER, INSULATION DIAL	242
-	-	1	1	1	1	1	1	7-18023-7	SCR, SKT HD CAP M3 X 4.0	241
-	-	-	-	1	-	-	-	2119580-1	MECHANICAL FEED ASSEMBLY	239
-	-	1	-	1	-	1	-	2844940-1	AIR FEED MODULE	238
-	-	-	-	1	1	-	-	4-1722335-3	STRIPPER, SIDE FEED	182
-	-	-	-	1	1	-	-	1-5018030-0	NUT, HEX, REG, RoHS, M3.5	181
-	-	-	-	1	1	-	-	2-1752354-1	STANDOFF, HOLD-DOWN	180
-	-	-	-	1	1	-	-	993111-1	PIN, SLOTTED SPRING 3.0 X 20.0	177
-	-	-	-	1	1	-	-	5-22280-0	SPRING, COMPRESSION	176
-	-	-	-	1	1	-	-	1752353-3	GUIDE PIN, HOLDDOWN	175
-	-	-	-	1	1	-	-	1901680-2	GUIDE PIN, HOLDDOWN	174
-	-	REF	REF	REF	REF	REF	REF	994970-2	COUNTER, MAGNETIC	164
-	-	1	1	1	1	1	1	2119955-1	ASSY, LUBRICATOR, SIDE FEED	113
-	-	1	1	1	1	1	1	2844908-1	SCREW, LOCKING	99
-	-	1	1	1	1	1	1	2844907-1	POST, LOCKING	98
1	-	1	1	1	1	1	1	455888-7	SPACER, CRIMPER	82
1	-	-	-	-	-	-	-	2266103	PRINT, APPLICATOR LOG SHEET	72
-	-	1	1	1	1	1	1	1803607-3	DOCUMENTATION PACKAGE	71
-	-	1	1	1	1	1	1	2119791-9	DEPRESSOR, WIRE	70
-	-	1	1	1	1	1	1	2119740-1	TAG, IDENTIFICATION	67
-	-	2	2	2	2	2	2	2168078-1	SCREW, DRIVE, RH, RoHS, 2 x .188	66
-	-	1	1	1	1	1	1	2168083-2	SCR, SKT HD CAP, RoHS, M4 X 8.0	60
-	-	1	1	1	1	1	1	5-18022-5	SCR, HEX HD CAP, M4 X 6.0	59
-	-	1	1	1	1	1	1	1338685-1	PAWL, FEED	56
-	-	4	4	4	4	4	4	2168083-3	SCR, SKT HD CAP, RoHS, M4 X 12.0	54
-	-	2	2	2	2	2	2	1-2168083-0	SCR, SKT HD CAP, RoHS, M4 X 10	53
-	-	1	1	1	1	1	1	5018030-1	NUT, HEX, REG, RoHS, M3	52
-	-	1	1	1	1	1	1	811242-5	BUMPER, HOLD DOWN	51
-	-	1	1	1	1	1	1	690753-2	SPACER, TONKER	50
-	-	1	2	1	2	1	2	18023-9	SCR, SKT HD CAP M4 X 6.0	49
-	-	-	-	1	-	-	-	2119652-1	FEED CAM, PRE FEED	48
-	-	-	-	1	-	-	-	2119653-1	FEED CAM, POST FEED	47
-	-	1	1	-	-	1	1	1803583-9	APPLICATOR BASIC ASSEMBLY, SF	46
-	-	1	1	-	-	1	1	1803515-1	RAM ASSEMBLY, SF ATLANTIC	44
-	-	1	1	1	1	1	1	1803602-1	SCR, BHSC, RoHS (M8 X 25)	41
-	-	1	1	1	1	1	1	2-1752356-0	SUPPORT, TERMINAL	34
-	-	2	2	2	2	2	2	2079383-5	SCR, BHSC, RoHS (M4 X 20)	33
-	-	2	2	2	2	2	2	2-2844962-8	SPACER, CYLINDRICAL, STRIP GUIDE	30
-	-	1	1	1	1	1	1	2844992-1	ASSEMBLY, STRIP GUIDE	29
-	-	1	1	1	1	1	1	1320928-2	STRIP GUIDE	24
-	-	1	1	-	-	1	1	2168083-2	SCR, SKT HD CAP, RoHS, M4 X 8.0	21
-	-	2	2	1	1	2	2	1-18028-2	WASHER, FLAT, REG M4	20
-	-	1	1	-	-	1	1	2119533-1	STRIPPER, SIDE FEED	19
-	-	1	1	1	1	1	1	2119806-1	INSERT, SHEAR	13
-	-	1	1	1	1	1	1	3-22280-3	SPRING, COMPRESSION	12
-	-	1	1	1	1	1	1	1-356885-4	STOP, SHEAR	11
-	-	1	1	1	1	1	1	2119805-1	SHEAR HOLDER, FRONT	10
-	-	1	1	1	1	1	1	1803095-1	FLOATING SHEAR, FRONT	9
1	1	2	2	1	1	1	1	1803293-4	ANVIL, COMBINATION DEUTSCH STYLE	8
-	-	-	-	-	-	-	-	-	-	7
-	-	-	-	-	-	-	-	-	-	6
-	-	1	1	1	1	1	1	2119757-8	DEPRESSOR, SHEAR	5
-	-	1	1	1	1	1	1	238011-9	BLOCK, CRIMPER SPACER	4
1	1	2	2	1	1	1	1	1803019-6	CRIMPER, INSULATION O	3
1	-	1	1	1	1	1	1	455888-4	SPACER, CRIMPER	2
1	-	1	2	2	1	1	1	2-1633713-6	CRIMPER, WIRE PREMIUM	1

ATLANTIC VERSION
Shown on sheets 1 of 4 & 2 of 4
(Pacific version shown on sheets 3 of 4 & 4 of 4)

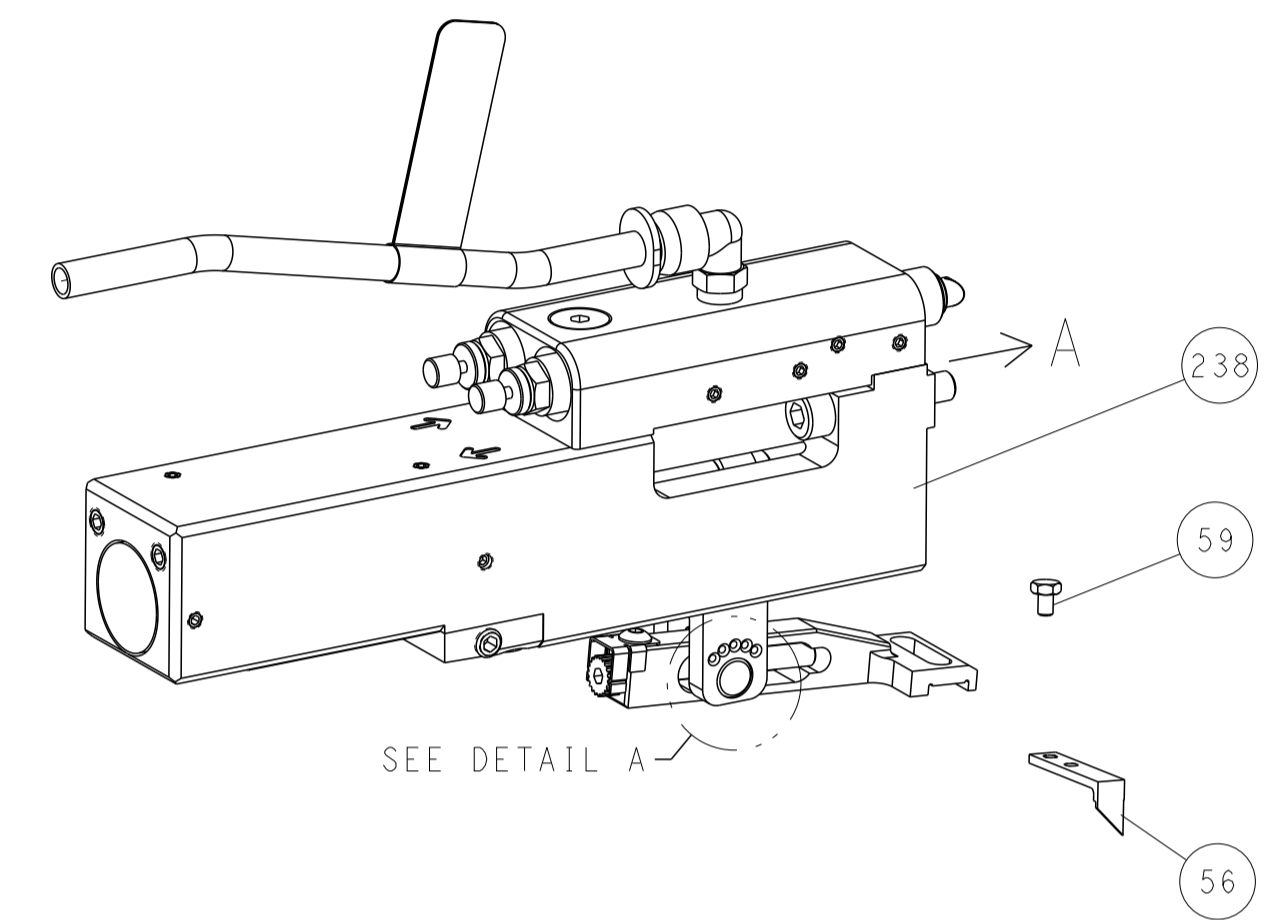
DIMENSIONS:		TOLERANCES UNLESS OTHERWISE SPECIFIED:		OWN	CHK	DATE	NAME	TE Connectivity
mm	0 PLC ±	1 PLC ±	2 PLC ±	R. KNEPPER	G. BAILEY	04-Oct-13	M. CLIFFORD	Harrisburg, PA 17105-3608
	3 PLC ±	4 PLC ±	ANGLES ±	Ocean Side Feed Applicator				
MATERIAL	FINISH	WEIGHT	SCALE	Customer Accessible Production Drawing		1:2	SHEET 1 of 4	REV E

LOC	DIST	REV	DATE	BY	APPD
A	66				

FEED TYPE MECHANICAL



PNEUMATIC

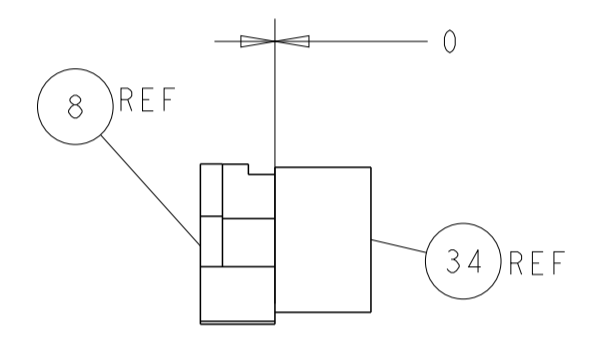
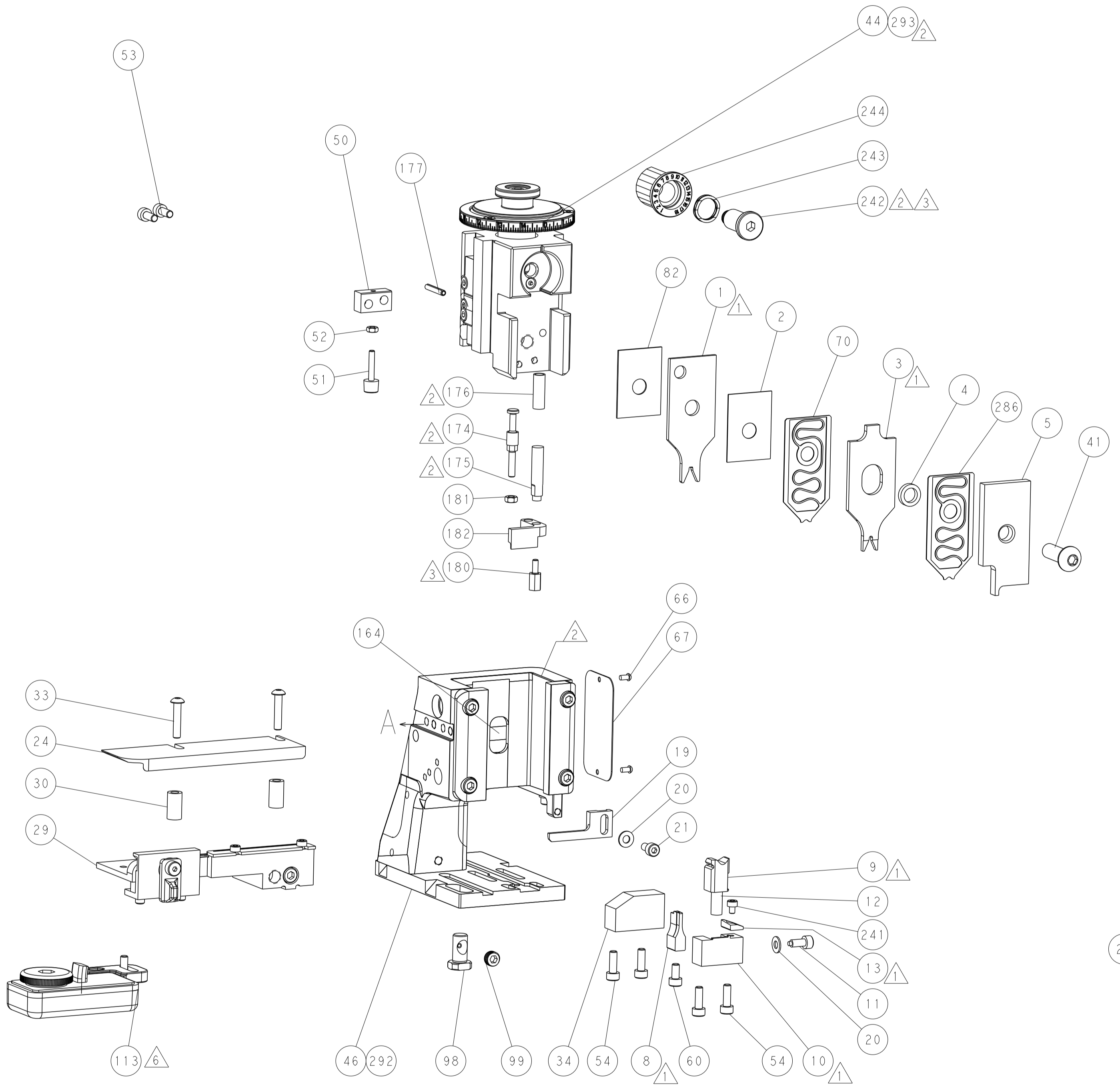
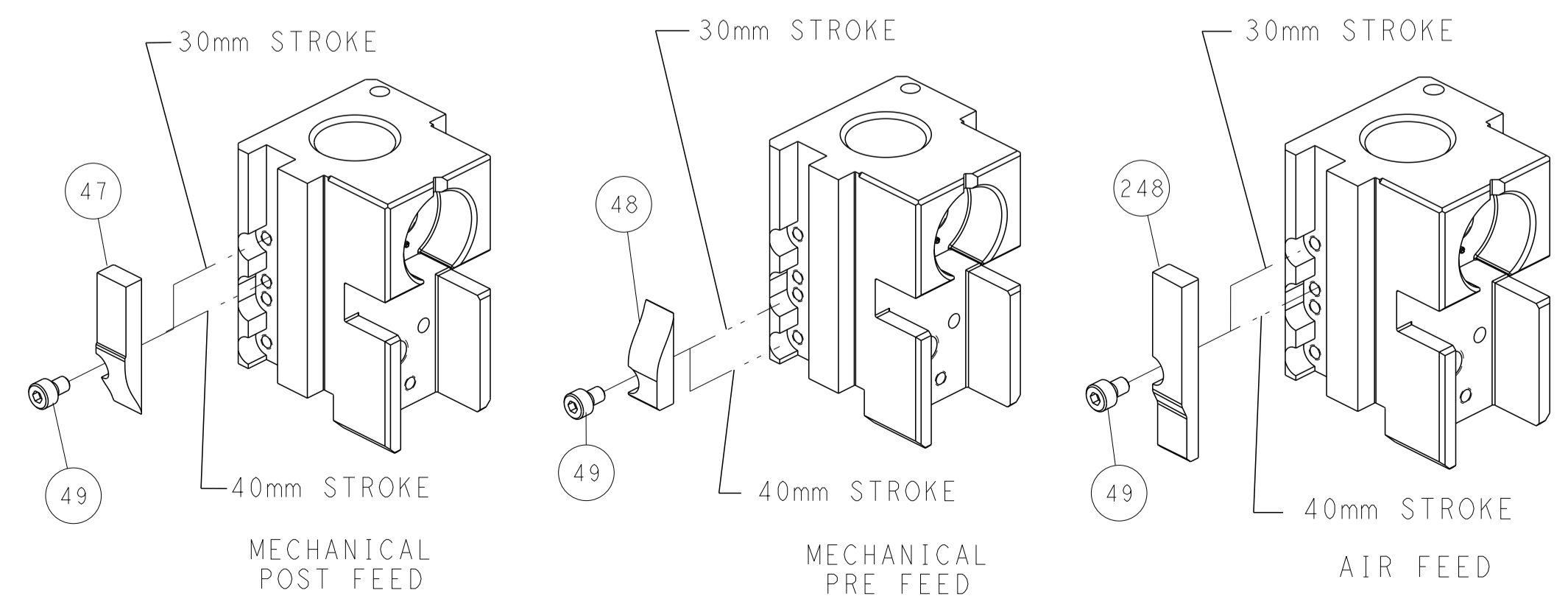


FEED SPRING SETTING POSITION (SHOWN FROM REAR SIDE)

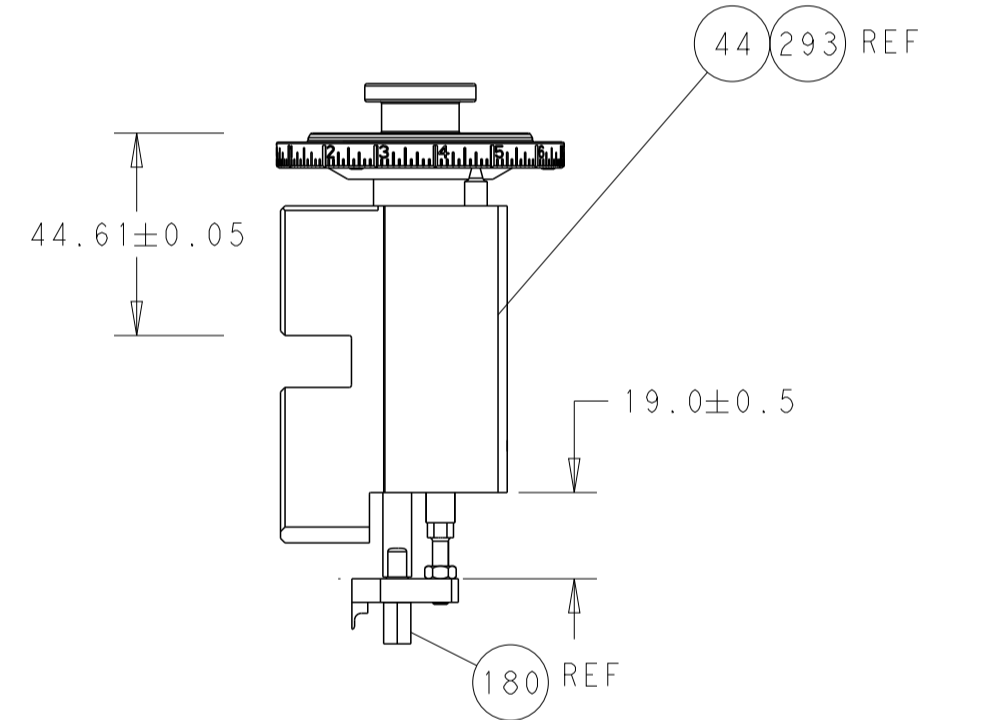


DETAIL A

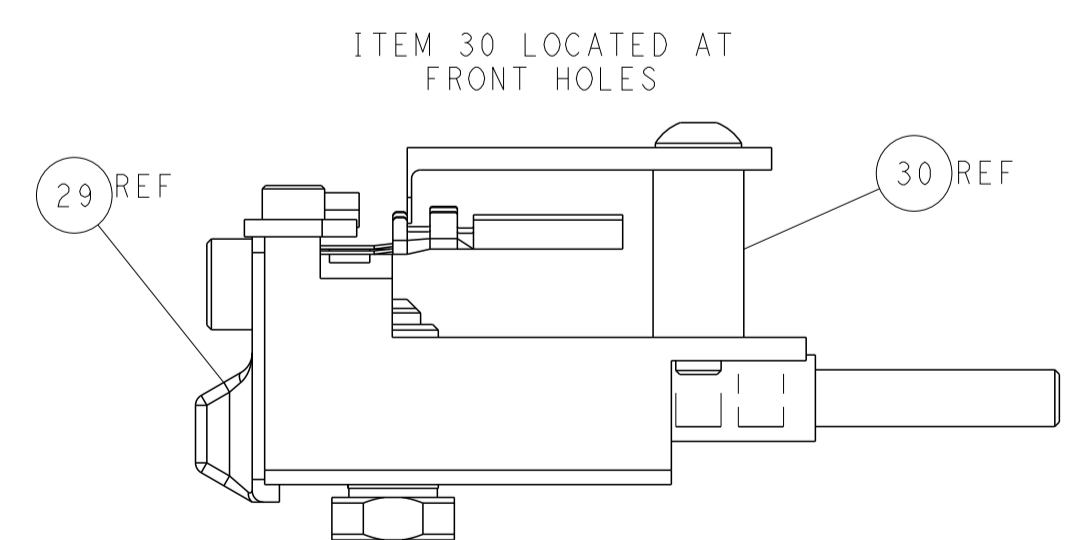
CAM POSITIONS



TERMINAL SUPPORT LOCATION



RAM AND HOLDDOWN SET-UP



FEED TRACK POSITION GUIDE BY INSULATION BARREL

ATLANTIC VERSION
 Shown on sheets 1 of 4 & 2 of 4
 (Pacific version shown on sheets 3 of 4 & 4 of 4)

DIMENSIONS: mm TOLERANCES UNLESS OTHERWISE SPECIFIED: 0 PLC ± 1 PLC ± 2 PLC ± 3 PLC ± 4 PLC ± ANGLES ± FINISH		DWN R. KNEPPER 04-Oct-13 CHK G. BAILEY 04-Oct-13 APVD M. CLIFFORD 04-Oct-13 PRODUCT SPEC APPLICATION SPEC WEIGHT Customer Accessible Production Drawing	NAME Ocean Side Feed Applicator SIZE CAGE CODE DRAWING NO. A1 00779 C=2266103 RESTRICTED TO SCALE 1:2 SHEET 2 OF 4 REV E
---	--	---	---

PART NUMBER	REVISION	DESCRIPTION	FEED TYPE
2-2266103-1	E	FINE CRIMP HEIGHT ADJUST	MECHANICAL
2-2266103-2	E	FINE CRIMP HEIGHT ADJUST	PNEUMATIC
7-2266103-7	C	CRIMP TOOLING KIT	-
7-2266103-8	C	APPLICATOR CONVERSION KIT	-

PACIFIC VERSION TERMINATOR
INTERFACE ADAPTER



APPLICATOR DATA		
CRIMP	SIZE	TYPE
WIRE	2.29 mm [.090]	F
INSUL	2.03 mm [.080]	O

APPLICATOR INSTRUCTIONS
408-35042

APPLICATOR CONVERSION KITS	
PART NUMBER	INSULATION DIAMETER RANGE
7-2266100-8	Ø 3.05-3.81mm [.120-.150]
7-2266101-8	Ø 2.67-3.02mm [.105-.119]
7-2266102-8	Ø 2.26-2.64mm [.089-.104]
7-2266103-8	Ø 1.93-2.24mm [.076-.088]
7-2266104-8	Ø 1.60-1.91mm [.063-.075]

TERMINAL DATA: DEUTSCH TERMINAL TE CRIMP SPECIFICATION			
TERMINAL NAME: STAMPED CONTACT PIN SIZE 16			
WIRE STRIP LENGTH	INSULATION DIAMETER RANGE	TERMINAL APPLICATION SPECIFICATION	114-151000
3.81-5.09 mm [.150-.200 IN]	Ø 1.93-2.24 mm [.076-.088 IN]	-	-

TERMINALS APPLIED			
TE TERMINAL	DEUTSCH TERMINAL	TE TERMINAL	DEUTSCH TERMINAL
286503-1	1060-16-0122	286503-2	1060-16-0144
286503-3	1060-16-0177	286503-7	1060-16-0722
286503-8	1060-16-0744	286503-9	1060-16-0777
1-286503-1	1060-16-0977	1-286503-2	1060-16-0988
1-286503-4	AT60-16-0122	1-286503-5	AT60-16-0144

TERMINAL DATA: DEUTSCH TERMINAL TE CRIMP SPECIFICATION			
TERMINAL NAME: STAMPED CONTACT SOCKET SIZE 16			
WIRE STRIP LENGTH	INSULATION DIAMETER RANGE	TERMINAL APPLICATION SPECIFICATION	114-151000
3.81-5.09 mm [.150-.200 IN]	Ø 1.93-2.24 mm [.076-.088 IN]	-	-

TERMINALS APPLIED			
TE TERMINAL	DEUTSCH TERMINAL	TE TERMINAL	DEUTSCH TERMINAL
286504-1	1062-16-0122	286504-2	1062-16-0144
286504-3	1062-16-0177	286504-7	1062-16-0722
286504-8	1062-16-0744	286504-9	1062-16-0777
1-286504-1	1062-16-0977	1-286504-2	1062-16-0988
1-286504-5	AT62-16-0122	1-286504-6	AT62-16-0144

WIRE SIZE	CRIMP HEIGHT mm [INCH]	CRIMP HEIGHT REFERENCE SETTING
14 AWG	1.40+0.03/-0.05 [.055+.001/-.002]	4.6
2.00mm2	1.40+0.03/-0.05 [.055+.001/-.002]	4.6
1.50mm2	1.35+0.03/-0.05 [.053+.001/-.002]	5.2
16 AWG	1.27+0.03/-0.05 [.050+.001/-.002]	6.0
1.00mm2	1.27+0.03/-0.05 [.050+.001/-.002]	6.0
18 AWG	1.24+0.03/-0.05 [.049+.001/-.002]	6.2
0.75mm2	1.22+0.03/-0.05 [.048+.001/-.002]	6.4

***WARNING**
ON INSTALLATION, SET WIRE DISC TO CRIMP HEIGHT REFERENCE SETTING FOR LARGEST WIRE SIZE. CRIMP HEIGHT REFERENCE SETTINGS GREATER THAN THE VALUE SHOWN MAY CAUSE DAMAGE TO THE CRIMP TOOLING, REFER TO THE INSTRUCTION SHEET FOR PROPER SETUP AND ADJUSTMENTS.

- 1 RECOMMENDED SPARE PARTS
- 2 REFER TO SUPPLIED INSTRUCTION SHEET FOR CLEANING, LUBRICATION AND STORAGE OF APPLICATOR.
- 3 APPLY PART NUMBER 2-23419-6 LOCTITE TO THREADS OF ITEM 242.
- 4 CRIMP HEIGHT REFERENCE SETTING WAS THE SETTING USED WHEN THE APPLICATOR WAS QUALIFIED AT THE FACTORY. ADJUSTMENT MAY BE NECESSARY WHEN RUNNING APPLICATOR IN THE FIELD.
- 5 SEE APPROPRIATE APPLICATOR LOG SHEETS FOR APPLIED TERMINALS, WIRE RANGE AND MEMORY CHIP.
- 6 TERMINAL LUBRICANT IS RECOMMENDED.
- 7. UNLESS SPECIFIED OTHERWISE TORQUE VALUES SHALL BE USED PER DOCUMENT, 101-35000.

LOC	DIST	REV	DATE	BY	APPV
A	66				

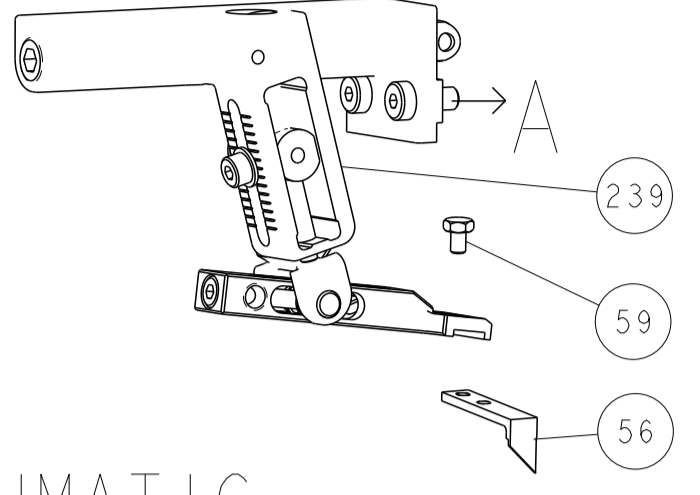
REV	DATE	BY	APPV	DESCRIPTION	ITEM NO	
-	-	1	1	2119791-9	DEPRESSOR, WIRE	286
-	-	1	1	2119082-9	CAM, SNAIL, INSULATION ADJUSTMENT	244
-	-	1	1	2079764-1	WASHER, WAVE SPRING, CREST-TO-CREST	243
-	-	1	1	2119083-1	RETAINER, INSULATION DIAL	242
-	-	1	1	7-18023-7	SCR, SKT HD CAP M3 X 4.0	241
-	-	-	1	2119580-1	MECHANICAL FEED ASSEMBLY	239
-	-	-	1	2844940-1	AIR FEED MODULE	238
-	-	REF	REF	994970-2	COUNTER, MAGNETIC	164
-	-	1	-	2119641-2	FEED CAM, AIR FEED	151
-	-	1	1	2168083-8	SCR, SKT HD CAP, RoHS, M4 X 16	144
-	-	4	4	2168083-9	SCR, SKT HD CAP, RoHS, M4 X 20	143
-	-	-	1	2119653-2	FEED CAM, POST FEED	142
-	-	1	1	1-1803583-0	APPLICATOR BASIC ASSEMBLY, SF	141
-	-	1	1	1803516-1	RAM ASSEMBLY, SF PACIFIC	140
-	-	1	1	2119955-1	ASSY, LUBRICATOR, SIDE FEED	113
-	-	1	1	2844908-1	SCREW, LOCKING	99
-	-	1	1	2844907-1	POST, LOCKING	98
1	-	1	1	455888-7	SPACER, CRIMPER	82
1	-	-	-	2266103	PRINT, APPLICATOR LOG SHEET	72
-	-	1	1	1803607-3	DOCUMENTATION PACKAGE	71
-	-	1	1	2119791-9	DEPRESSOR, WIRE	70
-	-	1	1	2119740-1	TAG, IDENTIFICATION	67
-	-	2	2	2168078-1	SCREW, DRIVE, RH, RoHS, 2 x .188	66
-	-	1	1	5-18022-5	SCR, HEX HD CAP, M4 X 6.0	59
-	-	1	1	1338685-1	PAWL, FEED	56
-	-	2	2	1-2168083-0	SCR, SKT HD CAP, RoHS, M4 X 10	53
-	-	1	1	5018030-1	NUT, HEX, REG, RoHS, M3	52
-	-	1	1	811242-5	BUMPER, HOLD DOWN	51
-	-	1	1	690753-2	SPACER, TONKER	50
-	-	1	2	18023-9	SCR, SKT HD CAP M4 X 6.0	49
-	-	-	1	2119652-1	FEED CAM, PRE FEED	48
-	-	1	1	1803602-1	SCR, BHSC, RoHS (M8 X 25)	41
-	-	1	1	2-1752356-0	SUPPORT, TERMINAL	34
-	-	2	2	2079383-5	SCR, BHSC, RoHS (M4 X 20)	33
-	-	2	2	2-2844962-8	SPACER, CYLINDRICAL, STRIP GUIDE	30
-	-	1	1	2844992-1	ASSEMBLY, STRIP GUIDE	29
-	-	1	1	1320928-2	STRIP GUIDE	24
-	-	1	1	2168083-2	SCR, SKT HD CAP, RoHS, M4 X 8.0	21
-	-	2	2	1-18028-2	WASHER, FLAT, REG M4	20
-	-	1	1	2119533-1	STRIPPER, SIDE FEED	19
-	-	1	1	2119806-1	INSERT, SHEAR	13
-	-	1	1	3-22280-3	SPRING, COMPRESSION	12
-	-	1	1	1-356885-4	STOP, SHEAR	11
-	-	1	1	2119805-1	SHEAR HOLDER, FRONT	10
-	-	1	1	1803095-1	FLOATING SHEAR, FRONT	9
1	1	1	1	1803293-4	ANVIL, COMBINATION DEUTSCH STYLE	8
-	-	-	-	-	-	7
-	-	-	-	-	-	6
-	-	1	1	2119757-8	DEPRESSOR, SHEAR	5
-	-	1	1	238011-9	BLOCK, CRIMPER SPACER	4
1	1	1	1	1803019-6	CRIMPER, INSULATION O	3
1	-	1	1	455888-4	SPACER, CRIMPER	2
1	-	1	1	2-1633713-6	CRIMPER, WIRE PREMIUM	1

PACIFIC VERSION
Shown on sheets 3 of 4 & 4 of 4
(Atlantic version shown on sheets 1 of 4 & 2 of 4)

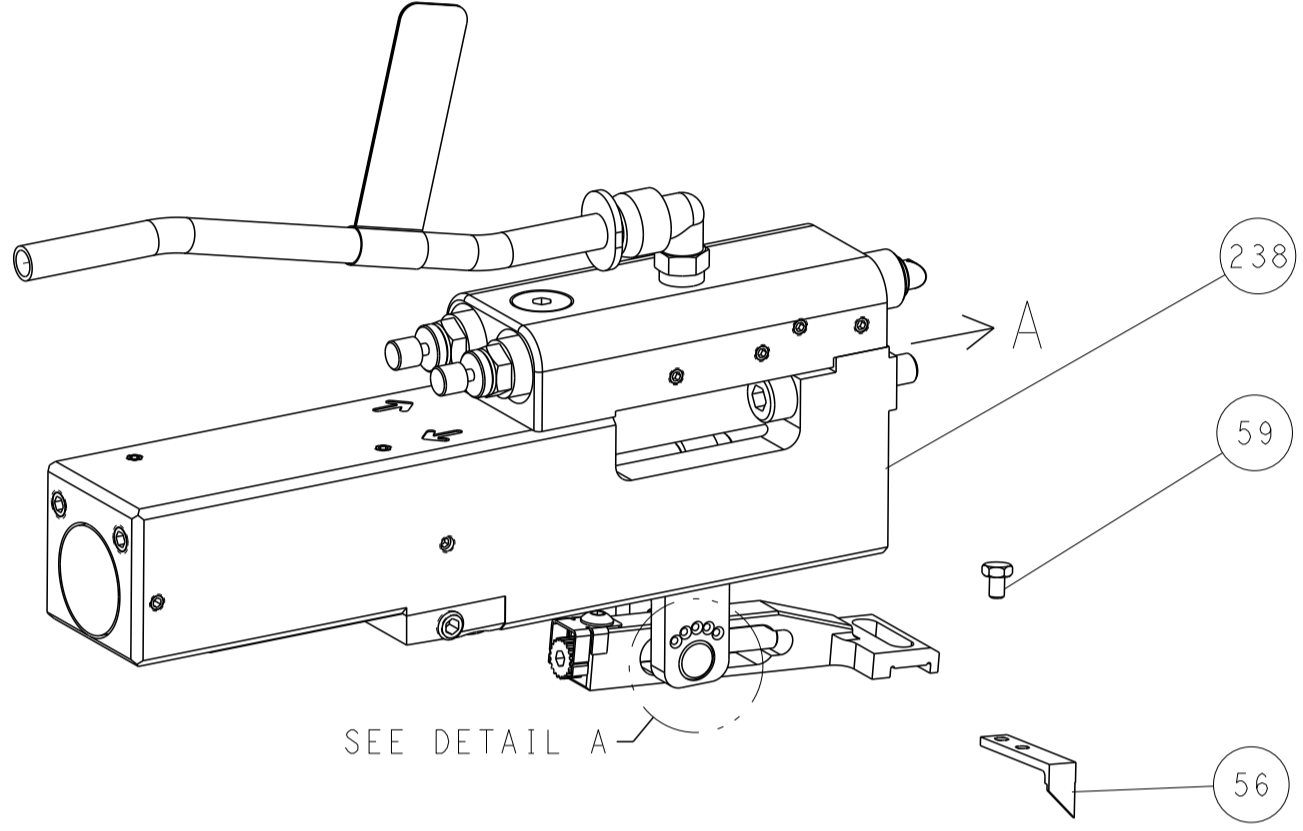
DIMENSIONS:	TOLERANCES UNLESS OTHERWISE SPECIFIED:	NAME	SCALE	SHEET	OF	REV
mm	0 PLC ± 1 PLC ± 3 PLC ± 4 PLC ± ANGLES ±	APPLICATOR SPEC	A1	00779	3	4
MATERIAL:	FINISH:	WEIGHT:	SCALE	SHEET	OF	REV
-	-	-	1:2	3	4	E

LOC	DIST	REVISIONS					
A	66	P	LTN	DESCRIPTION	DATE	DWN	APVD
		-		SEE SHEET 1	-	-	-

FEED TYPE MECHANICAL



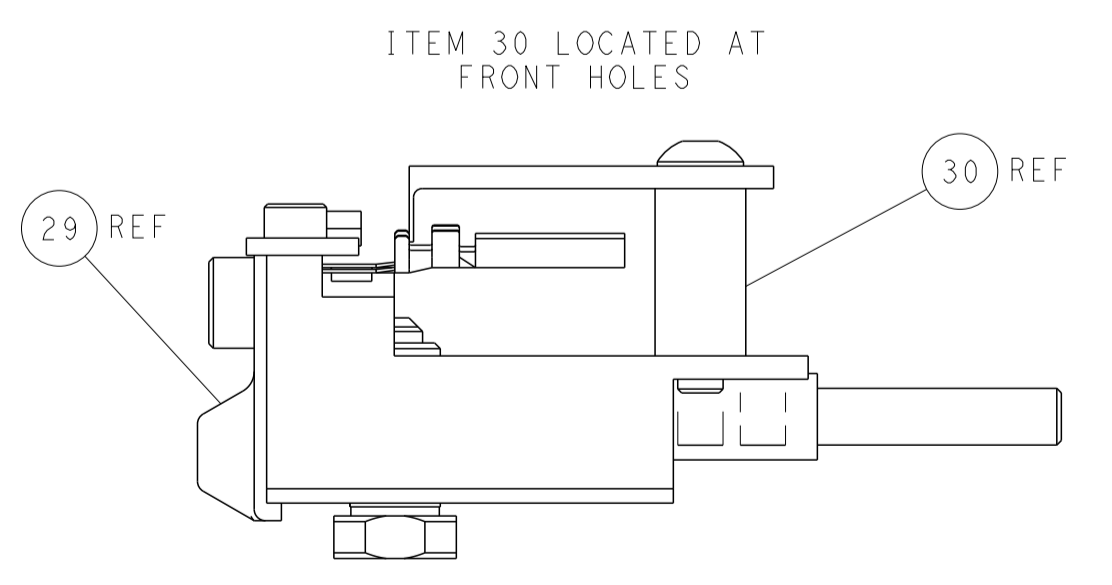
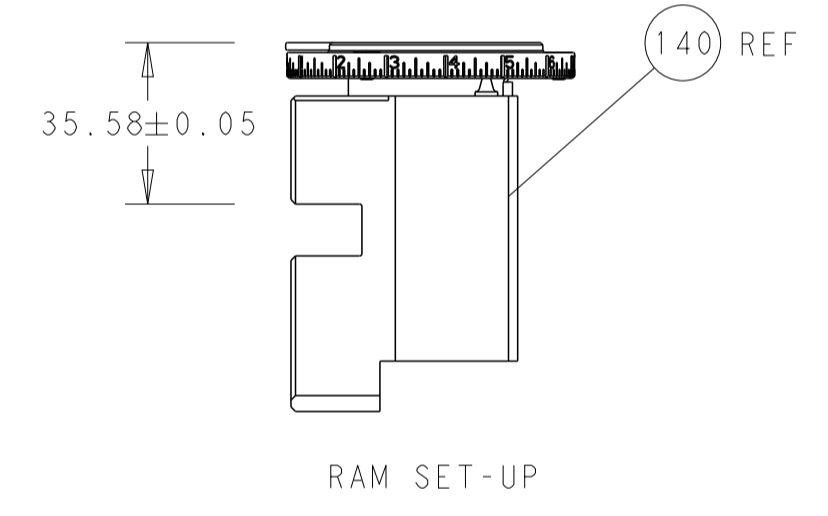
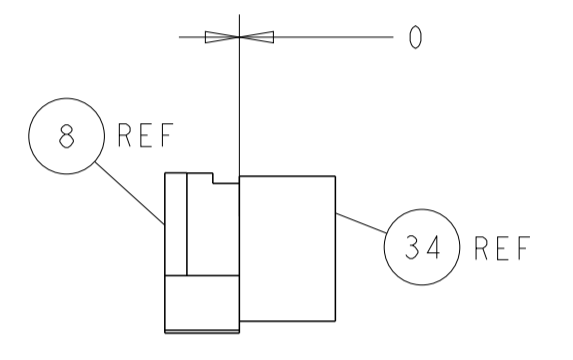
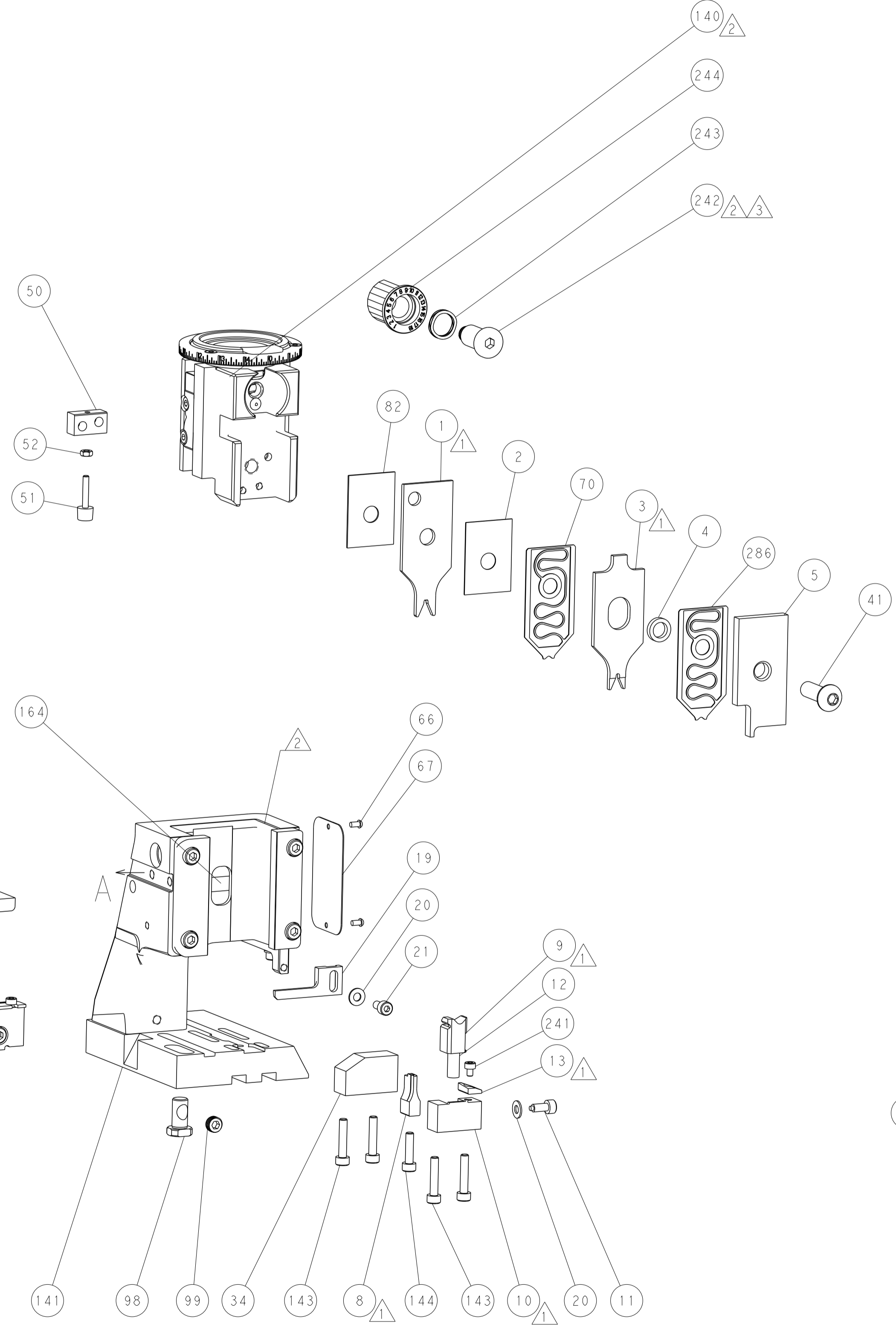
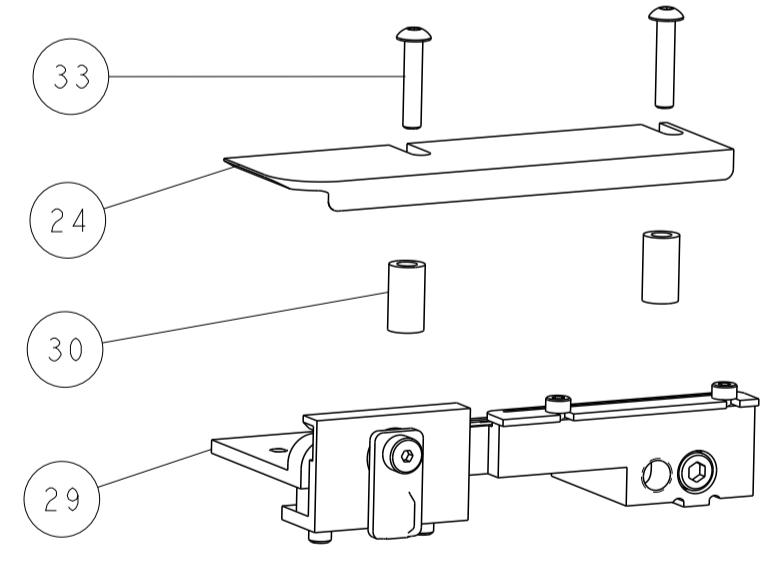
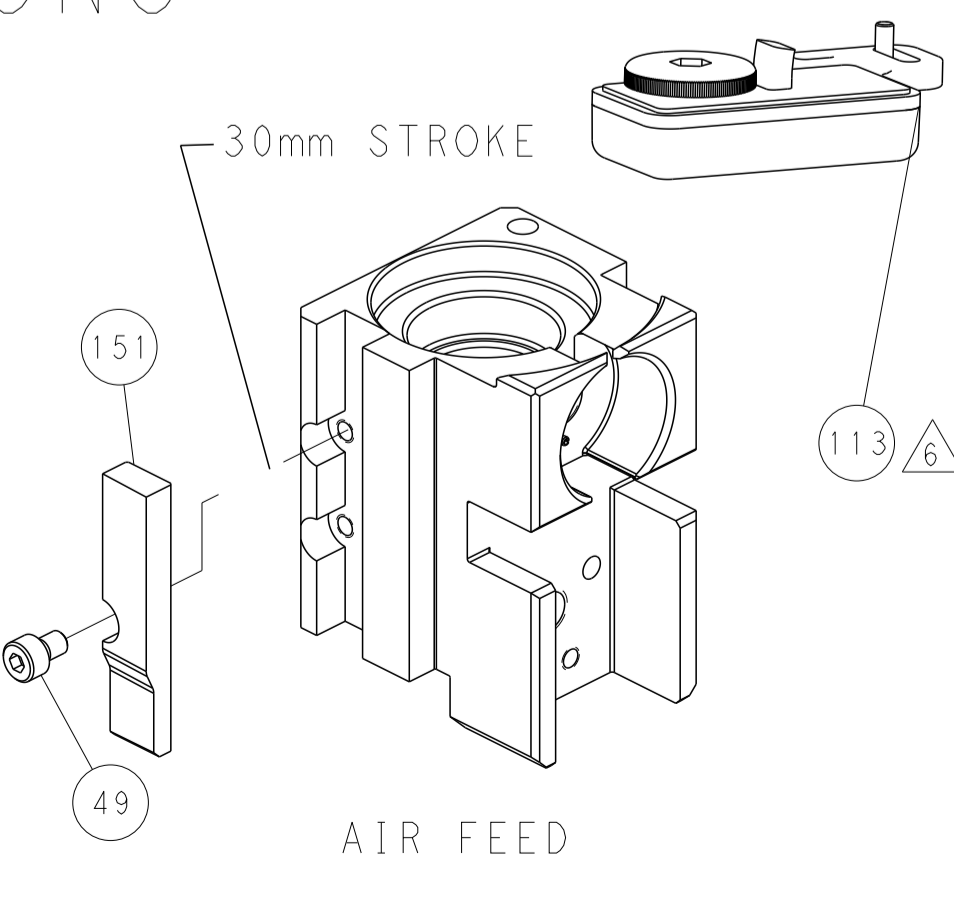
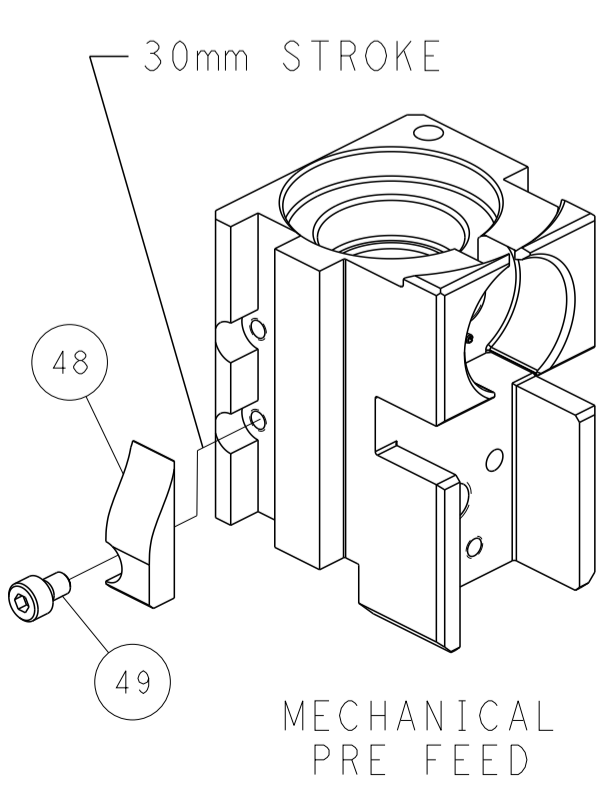
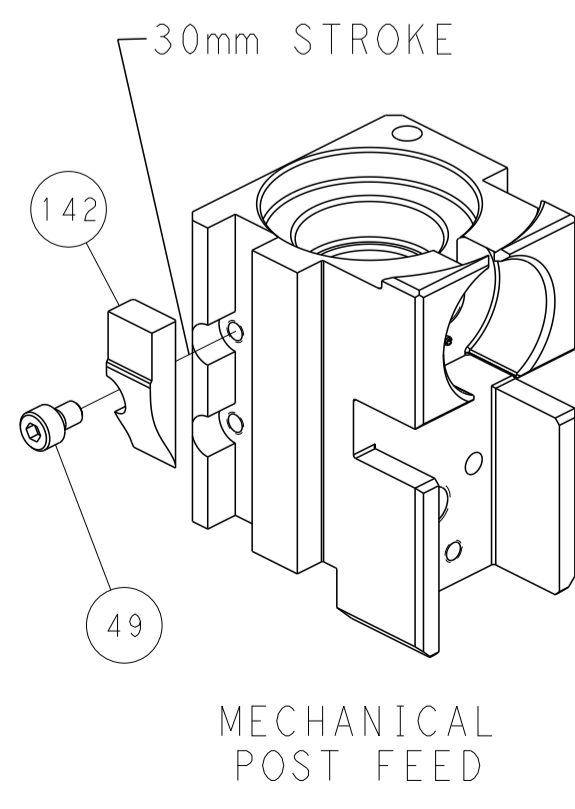
PNEUMATIC



FEED SPRING SETTING POSITION (SHOWN FROM REAR SIDE)



CAM POSITIONS



PACIFIC VERSION
 Shown on sheets 3 of 4 & 4 of 4
 (Atlantic version shown on sheets 1 of 4 & 2 of 4)

<small>THIS DRAWING IS UNPUBLISHED. RELEASED FOR PUBLICATION. ALL RIGHTS RESERVED. THIS DRAWING IS CONTROLLED DOCUMENT FOR THE ELECTRONICS CORPORATION. IT IS THE POLICY OF THE CORPORATION TO CONTROL THE DISTRIBUTION OF THIS DRAWING TO THE LARGEST EXTENT POSSIBLE.</small>		DWN: R. KNEPPER 04-Oct-13 CHK: G. BAILEY 04-Oct-13 APVD: M. CLIFFORD 04-Oct-13	NAME: TE Connectivity Harrisburg, PA 17105-3608
DIMENSIONS: mm TOLERANCES UNLESS OTHERWISE SPECIFIED: 0 PLC ± 1 PLC ± 2 PLC ± 3 PLC ± 4 PLC ± ANGLES ± FINISH ±	APPLICATION SPEC PRODUCT SPEC MATERIAL:	NAME: Ocean Side Feed Applicator SIZE: A1 CAGE CODE: 00779 DRAWING NO: C=2266103 WEIGHT:	RESTRICTED TO:
Customer Accessible Production Drawing		SCALE: 1:2	SHEET 4 OF 4 REV E