

Specification / Drawing Change Notice

SANYO DENKI CO., LTD.
Design Department, Cooling Systems Division

SANYO DENKI America, Inc.
Cooling Systems Division

SANYO DENKI Ref. No.: A0053855

1. Information

To: Sanyo Denki America Cooling Distributors

Product Affected: BLDC FAN MOTOR

Model No.: Refer to Attached List.

Date of Publication: February 16th, 2023

Should you have any issues with the schedule or content of this change, please contact your sales representative.

2. Change Description

Item 1	Outline
	Change the surface processing on the rotor cover.
	Before Change
	- Surface processing : Cathodic electrodeposition coating.
	After Change
	- Surface processing : Zinc-Nickel Alloy Plating.
	Reason for Change
	We will change the surface processing on the rotor cover to improve reliability and unify parts. The changes have no effect on fan characteristics.

Specification / Drawing Change Notice

SANYO DENKI CO., LTD.
Design Department, Cooling Systems Division

SANYO DENKI America, Inc.
Cooling Systems Division

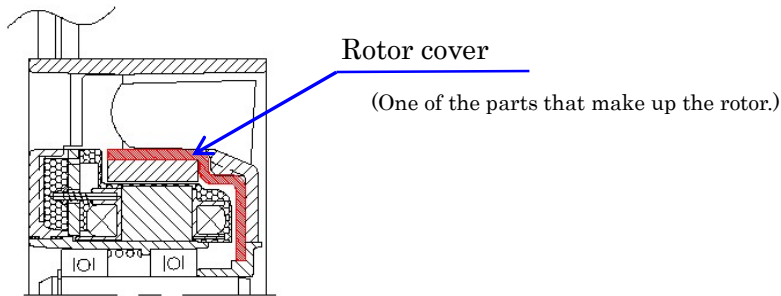
SANYO DENKI Ref. No.: A0053855

Item 2

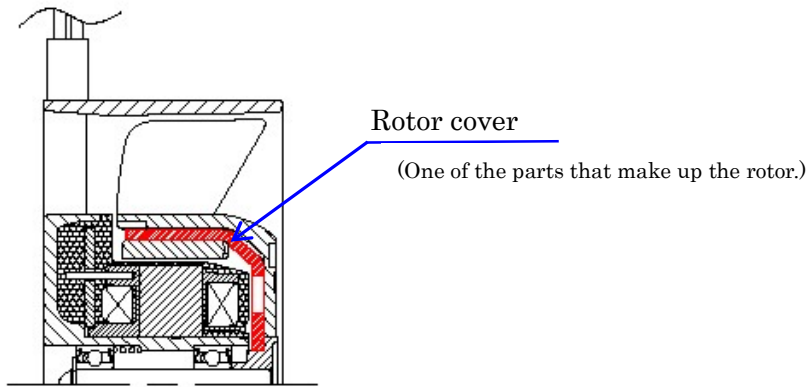
Outline

BLDC Fan Typical Construction.

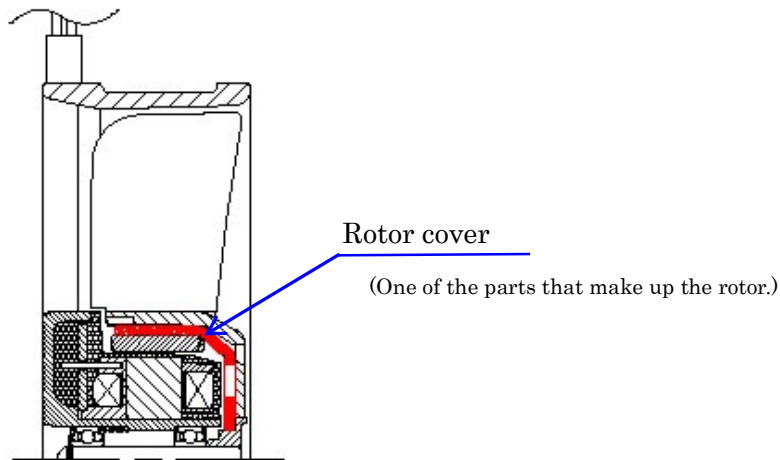
Typical example 1



Typical example 2



Typical example 3



Specification / Drawing Change Notice

SANYO DENKI CO., LTD.
Design Department, Cooling Systems Division

SANYO DENKI America, Inc.
Cooling Systems Division

SANYO DENKI Ref. No.: A0053855

Changes 1

Outline

Difference in appearance of the rotor cover (Typical example).

Before Change



Surface processing : Cathodic electrodeposition coating.

After Change





Surface processing :Zinc-Nickel Alloy Plating.

Specification / Drawing Change Notice

SANYO DENKI CO., LTD.
Design Department, Cooling Systems Division

SANYO DENKI America, Inc.
Cooling Systems Division

SANYO DENKI Ref. No.: A0053855

Changes 2	Outline
	Difference in the product appearance (Typical example). A Model with visible surface of the rotor cover.
	Before Change
	
	Surface processing : Cathodic electrodeposition coating.
After Change	
	
Surface processing : Zinc-Nickel Alloy Plating.	

Changes 3	Outline
	Difference in the product appearance (Typical example). A Model with invisible surface of the rotor cover.
	Before Change
	After Change
	This change does not change the appearance.

Specification / Drawing Change Notice

SANYO DENKI CO., LTD.
Design Department, Cooling Systems Division

SANYO DENKI America, Inc.
Cooling Systems Division

SANYO DENKI Ref. No.: A0053855

3. Schedule of Change

The change is expected from June in 2023.

Time of Implementation: Please note that the changeover schedule may change according to the number of products in the inventory.

Please contact your sales representative if you require our further assistance.

Issued by: Tatsuya Midorikawa

Title:



Reviewed by: Masato Murata

Title: Assistant Department Manager



Authorized by: Michinori Watanabe

Title: Department Manager



Specification / Drawing Change Notice

SANYO DENKI CO., LTD.
Design Department, Cooling Systems Division

SANYO DENKI America, Inc.
Cooling Systems Division

A0053855 Attached List – Affected Models – 1/14

Size [mm]	Type	Model number
40 x 40 x 20	9WP	9WP0412F6001
		9WP0412F6002
		9WP0412F6003
		9WP0412F6004
		9WP0412F6D001
		9WP0412H6001
		9WP0412H6002
		9WP0412H6004

Specification / Drawing Change Notice

SANYO DENKI CO., LTD.
Design Department, Cooling Systems Division

SANYO DENKI America, Inc.
Cooling Systems Division

A0053855 Attached List – Affected Models – 2/14

Size [mm]	Type	Model number
40 x 40 x 28	9WL	9WL0412G3001
		9WL0412G3002
		9WL0412G3003
		9WL0412G3004
		9WL0412G3005
		9WL0412G3006
		9WL0412G3007
		9WL0412G3D001
		9WL0412J3001
		9WL0412J3002
		9WL0412J3003
		9WL0412J3D003
		9WL0412P3G001
		9WL0412P3G003
		9WL0412P3G004
		9WL0412P3G006
		9WL0412P3G007
		9WL0412P3G008
		9WL0412P3GD001
		9WL0412P3J001
		9WL0412P3J003
9WL0412P3J004		
9WL0412P3J005		
9WL0412P3J006		
9WL0412P3J007		

Size [mm]	Type	Model number
40 x 40 x 28	9WL	9WL0424G3001
		9WL0424G3002
		9WL0424G3003
		9WL0424J3001
		9WL0424J3002
		9WL0424J3D003
		9WL0424P3G001
		9WL0424P3G003
		9WL0424P3G004
		9WL0424P3J-3
		9WL0424P3J001
		9WL0424P3J003
		9WL0424P3J004
		9WL0424P3J005
9WL0424P3JD001		

Specification / Drawing Change Notice

SANYO DENKI CO., LTD.
Design Department, Cooling Systems Division

SANYO DENKI America, Inc.
Cooling Systems Division

A0053855 Attached List – Affected Models – 3/14

Size [mm]	Type	Model number
60 x 60 x 25	9WL	9WL0612H4002
		9WL0612H4D001
		9WL0612H4D003
		9WL0612J4002
		9WL0612J4003
		9WL0612J4D001
		9WL0612P4H001
		9WL0612P4H003
		9WL0612P4H004
		9WL0612P4J001
		9WL0612P4J003
		9WL0612P4J004
		9WL0612P4S001
		9WL0612P4S003
		9WL0612P4S004
		9WL0612P4S005
		9WL0612P4S006
		9WL0612P4S007
		9WL0612P4S008
		9WL0612P4S009
9WL0612P4S010		
9WL0612S4002		
9WL0612S4D001		

Size [mm]	Type	Model number
60 x 60 x 25	9WL	9WL0624H4001
		9WL0624H4D003
		9WL0624J4D001
		9WL0624P4H001
		9WL0624P4H004
		9WL0624P4J001
		9WL0624P4JD001
		9WL0624P4S001
		9WL0624P4S003
		9WL0624P4S004
		9WL0624P4S005
		9WL0624P4S006
		9WL0624P4S008
		9WL0624P4SE001
		9WL0624P4SE003
		9WL0624S4001
		9WL0624S4002
		9WL0624S4003-3
		9WL0624S4004
		9WL0624S4005
9WL0624S4006		
9WL0624S4007		
9WL0628S4003-3		
1022-119161		

Specification / Drawing Change Notice

SANYO DENKI CO., LTD.
Design Department, Cooling Systems Division

SANYO DENKI America, Inc.
Cooling Systems Division

A0053855 Attached List – Affected Models – 4/14

Size [mm]	Type	Model number
80 x 80 x 25	9WL	9WL0812G4D001
		9WL0812H4001
		9WL0812H4002
		9WL0812H4D001
		9WL0812L4001
		9WL0812L4002
		9WL0812P4G001
		9WL0812P4H001
		9WL0812P4H003
		9WL0812P4H004
		9WL0812P4H005
		9WL0812P4J001
		9WL0812P4J003
		9WL0812P4J004
		9WL0812P4J005
		9WL0812P4J006
		1022-115851

Size [mm]	Type	Model number
80 x 80 x 25	9WL	9WL0824F4001
		9WL0824F4002
		9WL0824F4D001
		9WL0824H4001
		9WL0824H4002
		9WL0824H4D001
		9WL0824J4002
		9WL0824J4003
		9WL0824J4004
		9WL0824J4E003
		9WL0824L4001
		9WL0824L4002
		9WL0824L4D001
		9WL0824M4001
		9WL0824M4002
		9WL0824M4D001
		9WL0824P4G001
		9WL0824P4H001
		9WL0824P4H003
		9WL0824P4J001
		9WL0824P4J003
		9WL0824P4J004
		9WL0824P4J005
9WL0824P4J006		

Specification / Drawing Change Notice

SANYO DENKI CO., LTD.
Design Department, Cooling Systems Division

SANYO DENKI America, Inc.
Cooling Systems Division

A0053855 Attached List – Affected Models – 5/14

Size [mm]	Type	Model number
80 x 80 x 38	9WV	9WV0812M1001
		9WV0812M1D001
		9WV0812M1D003
		9WV0812P1AD003
		9WV0812P1M0011
		9WV0812P1M001-2
		9WV0812P1M001
		9WV0812P1M003
		9WV0812P1M0031
		9WV0812P1MD003
		9WV0812P1MD005
		9WV0812P1MD006
		9WV0812P1MD007
		9WV0824A1001
		9WV0824A1003
		9WV0824A1D001
		9WV0824A1D003
		9WV0824A1D004
		9WV0848P1H0011
		9WV0848P1H001
		9WV0848P1H003
		9WV0848P1H0041
		9WV0848P1H004

Specification / Drawing Change Notice

SANYO DENKI CO., LTD.
Design Department, Cooling Systems Division

SANYO DENKI America, Inc.
Cooling Systems Division

A0053855 Attached List – Affected Models – 6/14

Size [mm]	Type	Model number
92 x 92 x 25	9WL	9WL0912G4003
		9WL0912H4001
		9WL0912H4002
		9WL0912H4D001
		9WL0912J4002
		9WL0912J4003
		9WL0912M4001
		9WL0912M4002
		9WL0912P4G001
		9WL0912P4G003
		9WL0912P4H001
		9WL0912P4J001
		9WL0912P4J003
		9WL0912P4J004
		9WL0912P4J005
		9WL0912P4S001
9WL0912S4003		

Size [mm]	Type	Model number
92 x 92 x 25	9WL	9WL0924F4001
		9WL0924F4002
		9WL0924H4001
		9WL0924H4002
		9WL0924H4D001
		9WL0924J4-3
		9WL0924J4D001
		9WL0924M4001
		9WL0924M4002
		9WL0924M4D001
		9WL0924P4H001
		9WL0924P4J001
		9WL0924P4J003
		9WL0924P4J004
		9WL0924P4J005
		9WL0924P4J006
		9WL0924P4S001
		9WL0924S4D003
		9WL0948H4001
	9WX	9WX0912P4J003

Specification / Drawing Change Notice

SANYO DENKI CO., LTD.
Design Department, Cooling Systems Division

SANYO DENKI America, Inc.
Cooling Systems Division

A0053855 Attached List – Affected Models – 7/14

Size [mm]	Type	Model number
92 x 92 x 38	9WL	9WL0912P1F001
		9WL0912P1H001
		9WL0924F1002
		9WL0924H1D001
		9WL0924H1D003
		9WL0924P1F001
		9WL0924P1F003
		9WL0924P1H001
		9WL0948P1F601
		9WL0948P1F603
		9WL0948P1H601
		9WL0948P1H603
		9WL0948P1H604
		9WL0948P1H6-3
	9WP	9WP0912A10031
		9WP0912P1G0031
		9WP0948J10011
		9WP0948P1J0011

Size [mm]	Type	Model number
92 x 92 x 38	9WV	9WV0924B1001
		9WV0924B1003
		9WV0924B1004
		9WV0924B1005
		9WV0924C1002
		9WV0924C1003
		9WV0924C1D001
		9WV0924H1002
		9WV0924H1D001
		9WV0924P1H001
		9WV0924P1H003
		9WV0924P1H004
		9WV0924P1H005
		9WV0924P1H006
		9WV0928P1H003
		9WV0948A1003-A
		9WV0948A1003
		9WV0948P1H001
		9WV0948P1H003
		9WV0948P1H004
		9WV0948P1H005
		9WV0948P1H006
		9WV0948P1H007
9WV0948P1H008		
9WV0948P1H009		
9WV0948P1H010		
1022-106131		

Specification / Drawing Change Notice

SANYO DENKI CO., LTD.
Design Department, Cooling Systems Division

SANYO DENKI America, Inc.
Cooling Systems Division

A0053855 Attached List – Affected Models – 8/14

Size [mm]	Type	Model number
120 x 120 x 25	9WX	9WX1212M401
		9WX1212M4021
		9WX1212M403
		9WX1212M4031
		9WX1212M4041
		9WX1212M4051
		B-1066
		B-1071

Size [mm]	Type	Model number
120 x 120 x 38	9WV	9WV1212G1002
		9WV1212J1002
		9WV1212J1D001
		9WV1212J1H6004
		9WV1212P1J001
		9WV1212P1J003
		9WV1212P1J004
		9WV1212P1J005
		9WV1212P1J006
		9WV1212P1J007
		9WV1212P1J008
		9WV1212P1J009
		9WV1212P1J010
		9WV1212P1J011
		9WV1212P1JD001
9WV1212P1JD003		

Specification / Drawing Change Notice

SANYO DENKI CO., LTD.
Design Department, Cooling Systems Division

SANYO DENKI America, Inc.
Cooling Systems Division

A0053855 Attached List – Affected Models – 9/14

Size [mm]	Type	Model number	Size [mm]	Type	Model number
120 x 120 x 38	9WV	9WV1224H101	120 x 120 x 38	9WV	9WV1224P1HD003
		9WV1224H102			9WV1224P1HD004-C
		9WV1224H103			9WV1224P1HD005
		9WV1224H104			9WV1224P1J601
		9WV1224H105			9WV1224P1J601-X
		9WV1224H106			9WV1224P1J603
		9WV1224H107			9WV1224P1J604
		9WV1224H108			9WV1224P1J605
		9WV1224H109			9WV1224P1J606
		9WV1224H1D001			9WV1224P1J607
		9WV1224H1D003			9WV1224P1J608
		9WV1224J1001			9WV1224P1J609
		9WV1224J1002			9WV1224P1J610
		9WV1224J1003			9WV1224P1JD601
		9WV1224J1004			9WV1224P1JD603
		9WV1224J1H003			9WV1228P1J003
		9WV1224M1003			9WV1248J1001
		9WV1224P1H001			9WV1248J1002
		9WV1224P1H003			9WV1248J1D001
		9WV1224P1H003-X			9WV1248J1D003
		9WV1224P1H004			9WV1248P1J001
		9WV1224P1H005			9WV1248P1J001-2
		9WV1224P1H006			9WV1248P1J003
		9WV1224P1H007			9WV1248P1J004
		9WV1224P1H008			9WV1224P1H001-A01
		9WV1224P1H009			9WV1248P1J001-A01
9WV1224P1H010	9WV1248P1J001-A02				
9WV1224P1H011	9WV1248P1J001-A03				
9WV1224P1H012					

Specification / Drawing Change Notice

SANYO DENKI CO., LTD.
Design Department, Cooling Systems Division

SANYO DENKI America, Inc.
Cooling Systems Division

A0053855 Attached List – Affected Models – 10/14

Size [mm]	Type	Model number
140 x 140 x 38	9WL	9WL1412M1001
		9WL1412M1002
		9WL1412M1D001
		9WL1412M1D003
		9WL1412P1A001
		9WL1412P1A003
		9WL1412P1H001
		9WL1412P1H003
		9WL1412P1M001
		9WL1412P1M003
		9WL1424A1003
		9WL1424M1001
		9WL1424M1002
		9WL1424M1D001
		9WL1424P1A001
		9WL1424P1H001
		9WL1424P1M001
		9WL1448L1001
		9WL1448L1002
		9WL1448L1D001
		9WL1448M1001
		9WL1448M1002
		9WL1448M1D001
		9WL1448P1A001
		9WL1448P1H001
		9WL1448P1M001

Size [mm]	Type	Model number
140 x 140 x 51	9WL	9WL1412A5001
		9WL1412A5002
		9WL1412A5D001
		9WL1412G5D001
		9WL1412H5001
		9WL1412H5002
		9WL1412H5D001
		9WL1412H5D003
		9WL1412M5001
		9WL1412M5002
		9WL1412M5D001
		9WL1412P5G001
		9WL1412P5G003
		9WL1412P5G004
9WL1412P5S001		

Specification / Drawing Change Notice

SANYO DENKI CO., LTD.
Design Department, Cooling Systems Division

SANYO DENKI America, Inc.
Cooling Systems Division

A0053855 Attached List – Affected Models – 11/14

Size [mm]	Type	Model number
140 x 140 x 51	9WL	9WL1424A5001
		9WL1424A5002
		9WL1424A5D001
		9WL1424G5001
		9WL1424G5D001
		9WL1424G5D003
		9WL1424G5E003
		9WL1424H5001
		9WL1424H5002
		9WL1424H5003
		9WL1424H5004
		9WL1424H5D001
		9WL1424H5E001
		9WL1424M5001
		9WL1424M5002
		9WL1424M5D001
		9WL1424P5G001
		9WL1424P5GD001
		9WL1424P5S001
		9WL1424P5SD001
9WL1424S5D003		

Size [mm]	Type	Model number
140 x 140 x 51	9WL	9WL1448A5001
		9WL1448A5002
		9WL1448A5003
		9WL1448A5D001
		9WL1448H5001
		9WL1448H5002
		9WL1448H5D001
		9WL1448HM5001
		9WL1448M5001
		9WL1448M5002
		9WL1448M5D001
		9WL1448P5G001
		9WL1448P5G004
		9WL1448P5HD001
		9WL1448P5S001
9WL1448P5S003		

Specification / Drawing Change Notice

SANYO DENKI CO., LTD.
Design Department, Cooling Systems Division

SANYO DENKI America, Inc.
Cooling Systems Division

A0053855 Attached List – Affected Models – 12/14

Size [mm]	Type	Model number
Φ172 x 51	9EB	9EB1748K5015
		9EB1748K5025
		9EB1748K5H525
	9WE	9WE1724K501
		9WE1724K502
		9WE1724K503
		9WE1748K501
		9WE1748P5K03
		1032-107412
		Φ172 x 150 x 51
9EB5748K502		
9EB5748P5K03		
9EB5748P5K03-A		
9EB5748P5K03-C		
9EB5748P5K04		
9EB5748P5K04-A		
9EB5748P5K04-C		

Size [mm]	Type	Model number
Φ172 x 150 x 51	9WE	9WE5724H502
		9WE5724K501
		9WE5724K502
		9WE5724K502-C
		9WE5724K503
		9WE5724K504
		9WE5724K505
		9WE5724K506-C
		9WE5724K507
		9WE5724K508
		9WE5724K509
		9WE5724K510
		9WE5748K501
		9WE5748K502
		9WE5748K504
		9WE5748K505
		9WE5748K508
		9WE5748K509
		9WE5748K5D01
		9WE5748K5D03
		9WE5748K5D035
		9WE5748P5K01
		9WE5748P5K04
		9WE5748P5K05
		9WE5748P5K06
		9WE5748P5K07
		1032-106228
		1032-107413

Specification / Drawing Change Notice

SANYO DENKI CO., LTD.
Design Department, Cooling Systems Division

SANYO DENKI America, Inc.
Cooling Systems Division

A0053855 Attached List – Affected Models – 13/14

Size [mm]	Type	Model number	Size [mm]	Type	Model number
Φ172 x 150 x 51	9WG	9WG5724A5D603	Φ172 x 150 x 51	9WG	9WG5748P5G010
		9WG5748F5003-X			9WG5748P5G011
		9WG5748F5004-X			9WG5748P5G012-X
		9WG5748G5002			9WG5748P5G013
		9WG5748G5003			9WG5748P5G014
		9WG5748G5004-X			9WG5748P5GD003
		9WG5748G5004-X1			9WG5748P5GD004-X
		9WG5748H5001			9WG5748P5GD004-X1
		9WG5748H5002			9WG5748P5H001
		9WG5748H5003-X			9WG5748P5H003
		9WG5748H5004			9WG5748P5H003-X
		9WG5748H5005			9WG5748P5H003-XA
		9WG5748H5006-X			9WG5748P5H004
		9WG5748H5007			9WG5748P5H005
		9WG5748H5D001			9WG5748P5H006
		9WG5748P5G001			9WG5748P5H007
		9WG5748P5G001-1			9WG5748P5H008
		9WG5748P5G003			9WG5748P5H009
		9WG5748P5G003-X			9WG5748P5H010
		9WG5748P5G003-XA			9WG5748P5H603
		9WG5748P5G004			9WG5748P5HD003
		9WG5748P5G005			9WG5748P5HD004
		9WG5748P5G006			9WG5748P5K003-X
9WG5748P5G007-X	1032-106229				
9WG5748P5G008	9WG5748P5G001-A01				
9WG5748P5G009	1032-106230				

Specification / Drawing Change Notice

SANYO DENKI CO., LTD.
Design Department, Cooling Systems Division

SANYO DENKI America, Inc.
Cooling Systems Division

A0053855 Attached List – Affected Models – 14/14

Size [mm]	Type	Model number
Φ100 x 25	9W1TM	9W1TM48P4G01
		9W1TM48P4G04
		9W1TM48P4H01
		9W1TM48P4H03
		9W1TM48P4H04
		9W1TM48P4S03
Φ133 x 91	9W1TJ	9W1TJ24P0H61
		9W1TJ48P0H61
		9W1TJ48P0H63
		9W1TJ48P0H64
		9W1TJ48P0H65
Φ150 x 35	9W1TN	9W1TN24P1H01
		9W1TN48P1H01
		9W1TN48P1H03
Φ175 x 69	9W1TG	9W1TG48P0H61
		9W1TG48P0H64
		9W1TG48P0S63
		1032-106233

Size [mm]	Type	Model number
(120 x 120 x 25)	9WX	109-U0022